



Adam Tas Corridor Energy

10-core optical cable specifications





10-core optical cable specifications

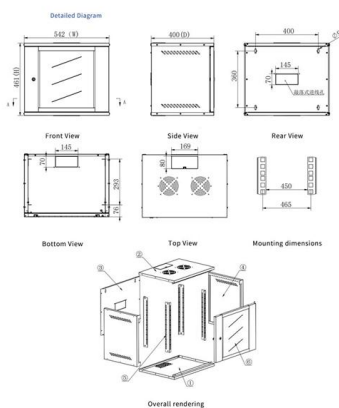


Multimode Optical Fiber Selection & Specification

For prevailing 10 Gigabit transmission speeds, OM3 is generally suitable for distances up to 300 m, and OM4 is suitable for distances up to 550 m.

FO Cable Patchcord 12C LC/UPC OM4 Type-B OFNP 10m Corning

Fiber Optic Patch Cable, Fiber Optic Patchcord MPO-LC/UPC Male 12 Cores Type B Multimode OM4 Corning Low Loss 0.35dB Max 3.0mm OFNP Plenum 10m (30ft) Specifications Designed for high



Arista Optics Modules and Cables

Arista's Optical Modules and Cable portfolio offer a wide variety of high-density and low-power 800G (dual 400G), 400G, 200G, 100G, 50G, 40G, 25G, 10G, 1G, and 100M Ethernet connectivity options

XG-SFP-LR-SM1310 10GBASE-LR SFP+ 1310-nm 10-km DOM

The XG-SFP-LR-SM1310 is aligned to IEEE



10GBASE-LR optical specifications and supports a link length of up to 10 kilometers over a single-mode fiber (SMF) with an LC connector. It adopts the



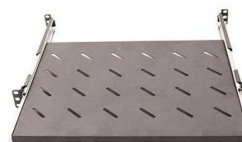
The FOA Reference For Fiber Optics

The core of step index multimode fiber is made completely of one type of optical material and the cladding is another type with different optical characteristics. It



Product Catalogue Fibre Optic Cable

The single loose tube cables consist of 2 to 24, 250 µm optical fibres in a single gel filled loose tube with helically applied E-glass non-metallic strength members, ripcord and Polyethylene (PE) inner jacket.



Webit Cabling

FIBRE OPTIC CABLES GENERAL SPECIFICATIONS

FIBRE OPTIC CABLES GENERAL SPECIFICATIONS *
All attenuation values are valid for cabled fibres
** Zero Water Peak





FO Cable Patchcord 8C LC/APC OS2 Type-B OFNP 10m Corning

Fiber Optic Patch Cable, Fiber Optic Patchcord MPO-LC/APC Female 8 Cores Type B Single Mode OS2 Corning G657A1 Low Loss 0.35dB Max 3.0mm OFNP Plenum 10m (30ft)



FO Cable Patchcord 8C LC/APC OS2 Type-B OFNP 10m Corning

Fiber Optic Patch Cable, Fiber Optic Patchcord US Conec MTP-LC/APC Female 8 Cores Type B Single Mode OS2 Corning G657A1 Elite Low Loss 0.35dB Max 3.0mm OFNP Plenum 10m (30ft)

FibreFab-Fibre-Optic-Cable-Catalogue

Optronics specifications for standard OM1 62.5/125 graded-index multimode optical fibre with doped silica core and silica cladding. Dual layer UV cured acrylic resin primary coatings. All fibre

Huijue engineering specific Fiber optic

HJ GROUP offers a wide variety of product types for you to choose from.



Fiber Optic Cables

Armoured and Flame retardant optical fibre cable, AICI - code F104 NEK TS 606:2016 (available also in MUD protected version).



The Ultimate Fiber Optic Cable Size Reference Chart

Fiber optic size specifications-- core, cladding, coating, buffer, and jacket --directly affect performance, installation, and compatibility. Single-mode



8 Core Optical Fiber Cable Specification

Specification LC to LC or SC to SC Single-mode /multimode for option OM3 for multimode Optical Fiber 8 Cores Inside Compatible with all standard fibre optic equipment and connectors Stainless Steel

12 Core Optical Fiber Cable Specification

Specification LC to LC or SC to SC Single-mode /multimode for option OM3 for multimode Optical Fiber 12 Cores Inside Compatible with all standard fibre optic equipment and connectors Stainless Steel



Opti-Core Gel-Free Indoor/Outdoor All-Dielectric Cable

event EIA/TIA-455 series FOTPs for fiber optic cables. Opti-Core 10Gig Gel-Free Indoor/Outdoor Cable features the highest quality OM3 and OM4 laser optimized fiber to support 10 Gb/s applications while



Fiber Optic Cable Types: A Complete Guide

The plethora of fiber optic cable types can seem overwhelming, but choosing the right cable for the job is important.



Multi-mode optical fiber

Multi-mode optical fiber is a type of optical fiber mostly used for communication over short distances, such as within a building or on a campus. Multi-mode links can



FO Cable Patchcord 24C OM4 Type-B OFNP 10m Corning

FAQ Reviews Downloads Fiber Optic Patch Cable, Fiber Optic Patchcord MPO-MPO M to M 24 Cores Type B Multimode OM4 Corning Low Loss 0.35dB Max 3.0mm OFNP Plenum 10m (30ft)





Connectors, Cables, Optics, RF, Silicon to Silicon Solutions

Samtec is the service leader in the electronic interconnect industry and a global manufacturer of Connectors, Cables, Optics and RF Systems, with full channel

Fiber Optic Cable Catalog

Whether it's installing the very latest in cable manufacturing technology, or designing and building custom equipment for a one of a kind cable, we have the resources to maintain a technological edge



4 Core Multimode OM3 Indoor Fiber Cable 50/125mm PVC

4 Core GJFJV Indoor optical fiber cable 50/125mm 10G OM3 Multimode Multi-Core Tight Buffered PVC Distribution Indoor optical Fiber Cable is ideal for indoor

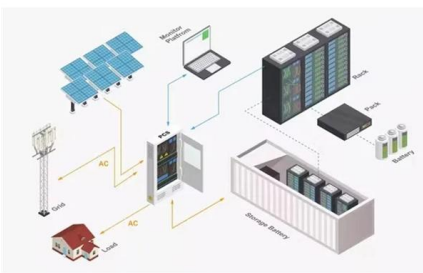
Your Sustainability Transformation Partner , Fujitsu Global

Our purpose: Make the world more sustainable by building trust in society through innovation.



24 Core GJFJV Indoor Fiber Optical Cable 50/125mm 10G OM4 LSZH

24 Core GJFJV Indoor Fiber Optical Cable 50/125mm 10G OM4 LSZH Price For Sale and Specifications in a Producer, Manufacturer, Wholesaler



Optical Fiber , Optical Fiber Products , Corning

Optical fiber broadband brings together a culture of innovation, quality, and manufacturing excellence to create life-changing products.



FO Cable Patchcord 24C OM4 Type-B OFNP 10m Corning

Specifications AOFPLUS MPO optical cable offers high-capacity fiber connectivity with 24-core multimode OM3 transmission, tailored for 10G backbone links. The cable's Type B polarity and F to F





2 Core Optical Fiber Cable_Specification

Specification LC to LC or SC to SC Single-mode /multimode for option OM3 for multimode Optical Fiber 2 Cores Inside Compatible with all standard fibre optic equipment and connectors Stainless Steel



12 Core Optical Fiber Cable_Specification

Specifications are correct at time of printing and subject to change or alteration without notice.



FO Cable Patchcord 12C LC/UPC OS2 Type-B LSZH 10m Corning

Fiber Optic Patch Cable, Fiber Optic Patchcord US Conec MTP-LC/UPC Female 12 Cores Type B Single Mode OS2 Corning G657A1 Elite Low Loss 0.35dB Max 3.0mm Flame Retardant LSZH 10m (30ft)



Contact Us

For datasheets, pricing, or custom telecom energy solutions, please visit:
<https://koskolong.co.za>