



Adam Tas Corridor Energy

480 Gigabit Aggregation Access Switch





480 Gigabit Aggregation Access Switch



Aggregation Switch , D-Link

Provides advanced Security ACLs for improved security, traffic control, and QoS, ensuring efficient and optimized networking.

Switch Aggregation

An 8-port, Layer 2 switch made for 10G SFP+ connections.



Aggregation Network Switches , Grandstream Networks

Layer 3 aggregation switches that allow enterprises to build scalable, secure, high performance and smart business networks that are fully manageable and support

Cisco Catalyst 3850 Series Switches

Cisco Catalyst 3850 Series Switches The Cisco® Catalyst® 3850 Series is the next generation of enterprise-class stackable access-layer switches



that provide full convergence between wired and
and



What Is an Aggregation Switch and How to Choose?

An aggregation switch is a network device that consolidates traffic from multiple access switches, wireless access points, or other edge devices and



48-port 10G/25G L3 Aggregation Fiber Switch with 8 100G Uplinks

Zyxel CX4800-56F high-density 100G/25G Layer 3 aggregation switch with Nebula cloud, 4.0 Tbps capacity, and high-availability system design.



2022-035-ECS4120 series DS R15 20220315

L2+/Lite L3 Gigabit Ethernet Access / Aggregation Switch with 4 10G Uplinks ECS4120 Series The Edgecore ECS4120 switch series is a Gigabit Ethernet access switch with four 10G uplink



Aggregation switches and routers

The expected growth of gigabit and multigigabit services requires operators to architect network access scalability upfront. For this reason, we have delivered a



DRAGON MACH4000-48G+4X-L2A

DRAGON MACH4000-48G+4X-L2A - Full Gigabit Ethernet Backbone Layer-2 Switch with up to 48x GE + 4x 2.5/10 GE ports Full Gigabit Ethernet Backbone Switch

Stackable Aggregation Managed Switches

Stackable Aggregation Managed Switches
Streamlined Aggregation, Maximum Efficiency
Versatile Speeds Provides 1G, 2.5G, and 10G speeds for flexible



What Is an Aggregation Switch and How to Choose?

An aggregation switch is a network device that consolidates traffic from multiple access switches, wireless access points, or other edge devices and forwards it to



1×2 ~ 2×64 Cassette Type Optical Splitter

Uniform splitting ratio, excellent directivity and low insertion loss



H3C S6530X Series Advanced Aggregation 10GE Switches

It provides up to 48/24*1GE/10GE autosensing SFP+ ports and 8*100G ports. The switch supports modular power modules and fan trays. By using different fan trays, the switch can provide field



48 ports poe aggregation network switch with 6 ports 10 gb SFP

X1580P-48T6X, the layer 3 aggregation network switch has 48 ports gigabit ethernet PoE, and 6 ports 10G SFP+.

Summit X480 Series

Summit X480 Series Summit® X480 Series--the scalable and versatile gigabit and 10 Gigabit Ethernet switch. The Summit X480 series switch is a versatile, high-end Ethernet switch for data center,



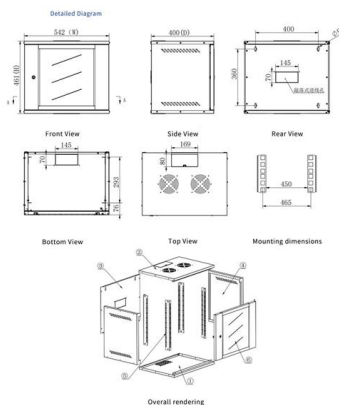


Cisco Catalyst 9300 Series Switches

Cisco Catalyst 9300 Series Switches are built for security, IoT and the cloud. Build a secure foundation that unlocks automation, simplicity and insights.

Cisco Catalyst 3850 Aggregation Switches At-a-Glance

They complement fixed RJ-45-based Cisco Catalyst 3850 Series switches and can run in stacked configurations with them with up to 480 Gbps of stack throughput. They can also operate in



Access and aggregation

Aggregation switches and routers The expected growth of gigabit and multigigabit services requires operators to architect network access scalability upfront. For

Multi-Gigabit Switches for IT Networks , Omada by TP-Link

Omada multi-gigabit switches include 10G uplink ports -- typically via SFP+ slots -- for connecting to aggregation or core switches at higher speeds. This allows multi



Campus Switches RG-S5750C-48GT4XS-H, Enterprise-Class

Applied to the aggregation layer of large networks, the core of small and medium-sized networks, the access of server clusters, and the full Gigabit three-layer access of large enterprises or campus office



208889

ALLNET Switch full managed 48 Port Gigabit / 48x LAN / 4x SFP+ / 19" / "ALL-SG8652M-10G"
Highlights: 48 Ports Gigabit Layer2+ Switch Architektur (Ports 1~48). 4 Ports SFP+ 10G-Steckplätze



Ethernet Aggregation Switch with 48 GE Ports & 216

Next-gen 48-port gigabit Ethernet switch with 216 Gbps capacity, Layer 3 support, and dual power for high reliability.





HP A5810-48G Switch

The HP A5810-48G Switch delivers unparalleled QoS across 48 10/100/1000Base-T Ethernet ports, two multiplex Gigabit Ethernet (GbE) combination SFP ports, and two 10-GbE SFP+ ports for the most

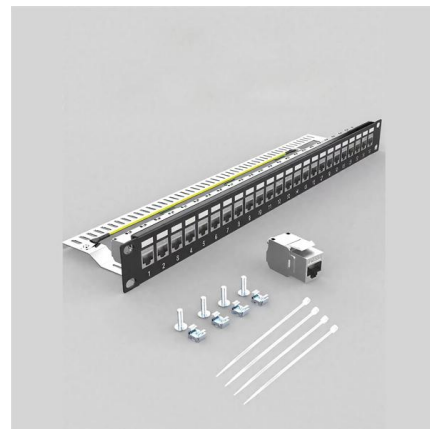


Everything You Need to Know About Aggregation Switch

The access switch collects data from network devices such as computers, printers, and servers and sends it to the aggregation switch for further

What is a gigabit switch?

Gigabit Ethernet switches are the foundation of modern networks, performing the vital function of directing data from one device to another on a common network.



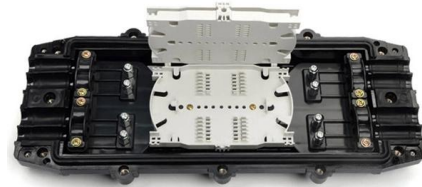
Cisco WS-C3850-48XS-S Catalyst 3850 48 Port 10G Fiber Switch IP

CISCOS Unified Access Data Plane (uadp)
Application-specific Integrated Circuit (asic)
Powers The Switch And Enables Uniform Wired-wireless Policy Enforcement, Application Visibility, Flexibility, And



LANCOM GS-4554XUP: LANCOM Systems GmbH

In addition, with a data throughput of 480 Gbps on the backplane, it offers wirespeed performance even at high workloads. The multi-Gigabit access switch thus forms



Aggregation Switches

Use one of the options below to locate your desired product. Please try this selector to locate your desired accessory.



Contact Us

For datasheets, pricing, or custom telecom energy solutions, please visit:
<https://koskolong.co.za>