



Adam Tas Corridor Energy

50 MW Photovoltaic Combiner Box Usage





50 MW Photovoltaic Combiner Box Usage



What is a solar combiner box and why is it used in

Learn all about solar combiner boxes. Combiner boxes combine solar strings into a single power source for inverters, limiting energy loss and reducing

Solar combiner box: definition, core functions and

Through this article, you can understand the definition, advantages, disadvantages, and role of the combiner box. Hopefully, this information helps



Solar Combiner Box: What Is It

Discover the purpose, components, and benefits of a solar combiner box. Learn how it improves efficiency, safety & installation for PV systems.

Do You Need A Solar Combiner Box? When To Use

Installation of combiner boxes becomes necessary when your solar array includes more



than three strings requiring inverter connection.
For smaller



PV AC Combiner Boxes

PV AC combiner boxes - high quality, optimized, robust and efficient For solar installations in the PV industry, reliability and availability are paramount. In

Photovoltaic combiner box 50kw

The new PV AC Combiner boxes have been designed for PV systems with string inverters in trackers or fix tilt systems. The product portfolio is suitable for inverters from 60 kW up to 200



The Ultimate Guide to Solar Combiner Boxes: From Basics to

Explore the comprehensive guide to PV Solar Combiner Boxes: Learn about types, components, selection criteria, installation best practices, maintenance, and advanced technologies.



Solar combiner box: definition, core functions and

The combiner box's role in a solar system is to aggregate the power output of multiple solar panels, simplifying wiring complexity, maximizing potential



Photovoltaic DC Combiner Box Capacity: A Comprehensive Guide for

Summary: Understanding the capacity of photovoltaic DC combiner boxes is crucial for optimizing solar energy systems. This guide explores sizing principles, industry trends, and practical solutions to help

What is a Combiner Box as Used in PV System: A

A combiner box in a PV system connects multiple solar panel strings, streamlining wiring, improving safety, and sending DC power to the inverter.

Pre-Terminated Patch Panel

- Standard 19" width
- Max 144 fibers in 1U
- Ultra-High Density Ready



Dual-nail, easy install & maintain



Lightweight ABS NPO cassette



Premium three-metal with multi-coating

Understanding the Importance and Operations of PV

Communication Features: Modern combiner boxes feature advanced communication features that enable their use with data acquisition systems for



Understanding PV Combiner Boxes: Design, Function,

A complete guide to PV combiner boxes, covering structure, safety protection, monitoring, IP ratings, selection principles, and future smart trends.



PV DC combiner boxes

Our DC combiner boxes offer users the possibility to integrate short-circuit and overvoltage protection, as well string monitoring solutions (I, V, T and SPD and

How To Size Solar Combiner Box?

Learn how to size a solar combiner box by considering the number of strings, current, and voltage ratings. Proper sizing ensures optimal performance, safety,



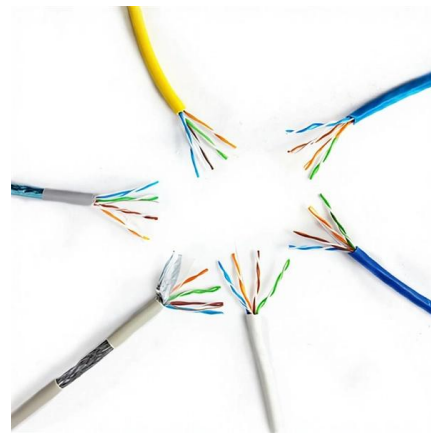


PV Combiner Boxes: Organizing Solar Connections

PV Combiner Boxes: Organizing Solar Connections PV combiner boxes play a crucial role in solar installations, efficiently organizing and protecting the

DC Arc Flash Hazard: Risk Assessment & Protection

System-Specific Hazard Zones Photovoltaic Arrays (600-1500 VDC): String-level fault currents range from 12-18A per string, while combiner-level faults reach 400-600A depending on



Solar Combiner Box: Complete DC & PV Guide (2026)

The specification of a solar combiner box -- and the number of combiner boxes required -- varies significantly with system scale. The following

Exploring the Significance and Functionality of Solar

Efficient components like solar combiner boxes are at the forefront of this transformation, facilitating safer, smarter, and more eco-friendly solar



Understanding the Function of a Combiner Box in Solar Photovoltaic

These codes dictate the proper sizing, rating, and installation requirements of combiner boxes to meet the demands of the solar PV system and mitigate potential hazards. In summary, a



A Comprehensive Guide to Combiner Boxes in

Combiner boxes play an important role in photovoltaic (PV) installations. This comprehensive guide aims to shed light on the importance, functions, types and



APPLICATION NOTE DC COMBINER BOX IN PHOTOVOLTAIC

External DC combiner boxes are used with central inverters in large-scale solar farms to consolidate thousands of strings and with single-mppt string inverters which can be managed as





What you should know about PV Combiner Boxes , OneMonroe Titan

Understanding Photovoltaic Combiner Boxes
What They Are and Their Use: PV combiner boxes are electrical distribution boxes that aggregate the electrical output from multiple solar panels



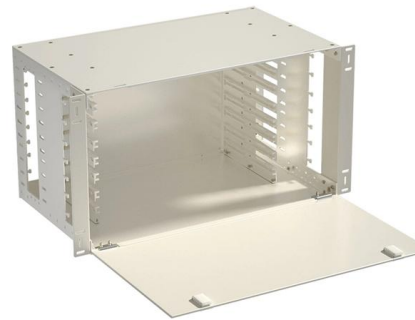
What Does a Solar Combiner Box Do? Complete PV

Learn what a solar combiner box does, when you need one, and how it simplifies wiring while enhancing safety in solar installations. Complete guide



Photovoltaic combiner box 50kw

Enhance your solar power system with the Apium Combiner Box 2x50kW, a cutting-edge solution designed for seamless integration and optimal performance. The 50kw on grid solar system includes



Everything You Need to Know About PV Combiner Box

Learn everything about PV Combiner Boxes--how they work, key components, installation tips, and FAQs to optimize your solar power system



Everything to Know About PV Combiner Box

Everything to Know About PV Combiner Box A PV combiner box, also known as a solar PV combiner box or DC combiner box, is an essential component in



Contact Us

For datasheets, pricing, or custom telecom energy solutions, please visit:
<https://koskolong.co.za>