



**Adam Tas Corridor Energy**

# **72-core composite optical cable**





## 72-core composite optical cable

---



Network Cabinet & Rack

### **GYFTS53 Double Jacket Armoured Fiber Optic Cable 72 Cores**

The GYFTS53 cable features a fiberglass-reinforced polymer (FRP) central core for superior strength. The surrounding loose tube with filler rope is tightly coiled around this core, creating a dense

### **Fibre Optic Cable 72 Core Singlemode , Loose Tube Design , Blue**

Fibre optic cable with 72 cores and singlemode technology--ideal for high-speed data transmission. Built for telecommunications and networking, featuring a durable loose tube design and blue nylon



### **Composite Optical Ground Wire Fiber Optic 72 Core Opgw Cable**

OPGW is a type of cable structure with composite of optical transmission and overhead ground wire for power transmission.

### **Composite Optical Ground Wire 72 Core Armored Armoured Fiber Optic Cable**



We are Henan Huadong Cable Co. manufacture and supplier, provide Composite Optical Ground Wire 72 Core Armored Armoured Fiber Optic Cable on sale, factory price.



### **High-Density 72-Core MPO/MTP® Breakout Trunk Cable**

Maximize your network efficiency with the 72-Fiber MPO/MTP® Conversion Trunk Cable. Designed by MeFiber, this high-density assembly optimizes fiber utilization

### **36 Core Armored Fiber Optic Cable**

Find high-quality 36 core armored fiber optic cables for reliable communication. Perfect for outdoor and underground applications. Shop now for durable, efficient cables!



### **72 Core Inline Fiber Optic Splice Closure Use as Optical**

This 72 core inline fiber splice closure can be used as fiber optic distribution box that designed for optical splitting, fiber splicing, cable joint, termination and distribution.



## 72 Cores GYTA Fiber Optic Cable\_HuaDong Cable & Wire

72 Cores GYTA Fiber Optic Cable are suitable for installation for long haul communication and LANs, especially suitable for the situation of high



## MSS Fibre 72 Core Singlemode Loose Tube Blue Nylon Jacketed Cable

Invalid Form Key. Please refresh the page. MSS Fibre 72 Core Singlemode Loose Tube Blue Nylon Jacketed Cable Item Number: CAB-LT-72-SPM0677G Packaging Unit: 1 / Metre



## 72 Core Fiber Cable With Power Wire Photoelectric

High quality 72 Core Fiber Cable With Power Wire Photoelectric Composite Fibre Optic Cable Gdts Hybrid Fiber Optic Cable from China, China's leading product



## FibreFab-Fibre-Optic-Cable-Catalogue

FibreFab Established in 1992, FibreFab is a leading provider of fibre optic connectivity products used in data communications and Telecommunication networks. The Company designs, develops,



### **72 Core Fiber Ribbon Optic Cable for Communication**

72 Core Fiber Ribbon Optic Cable for Communication Gydta, Find Details and Price about Cable Fiber Optic Cable from 72 Core Fiber Ribbon Optic Cable for

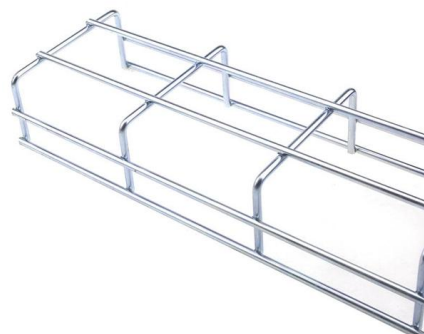


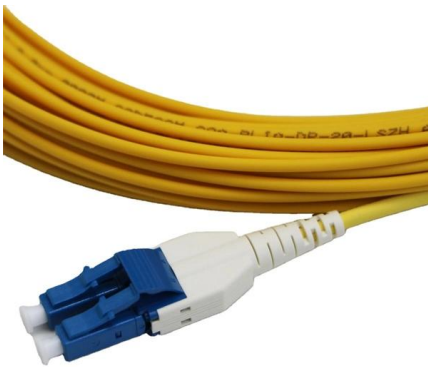
### **Composite Optical Ground Wire Fiber Optic 72 Core Opgw Cable**

Outdoor Aerial Single Mode Fiber Optic Cable OPGW Optical Fibre Composite Overhead Ground Wire OPGW is a type of cable structure with composite of optical transmission and overhead ground wire

### **Composite Ground Wire 72 Core Armored Optical Optical**

OPGW is a type of cable structure with composite of optical transmission and overhead ground wire for power transmission. Its working in power transmission





### **72 Cores GYTS Fiber Optic Cable Stranded Steel Tape**

72 Core GYTS Fiber Optic Cable is the outdoor fiber optic cable type used for duct and aerial applications. We supply single mode GYTS fiber optical

### **72 Cores Distribution Fiber Optic Cable**

SABA 72 cores distribution fiber optic cable is constructed with loose tube fibers, aramid yarn strength member, LSZH is metal free outdoor cable . Quality of the product is tested according to IEC Standards.



### **Composite Optical Ground Wire 72 Core Armoured**

OPGW is a type of cable structure with composite of optical transmission and overhead ground wire for power transmission.

### **72 Core Fiber Optic Cable Selection for Telecom Projects**

Source 72 core fiber optic cable with fiber type, loose tube design, jacket, tensile strength, drum length, testing, and bulk delivery.



### **72 Cores GYTA53 Fiber Optic Cable Direct Buried**

GYTA53 fiber cable consists of 250um fibers held in gel-filled PBT loose tubes, and wrapped around a phosphatized steel wire central strength member. A waterproof compound fills the loose tube, and

### **72 Fiber MTP Cables**

72 Fiber MTP Cables OptoSpan's 72 Fiber MTP Cables feature a Dual Jacket design complete with an additional layer of protective yarn resulting in a 4.5mm thick shell that increases resistance to



### **72 Core Fiber Cable With Power Wire Photoelectric**

o Optical and electrical hybrid design, solving the problem of power supply and signal transmission and providing the centralized monitoring and maintenance of power





## 15ft MPO Breakout Cable, 72 Core, Multimode

Multimode MPO Breakout Cable 72 Strand MPO-LC Connectors 5 Meter / 15ft MPO (Male)-LC 5 Meter (Approx. 15ft) Multimode (OM4) 72 Strand (12x6) MPO Breakout Cable. OM4 for use in 50/125um

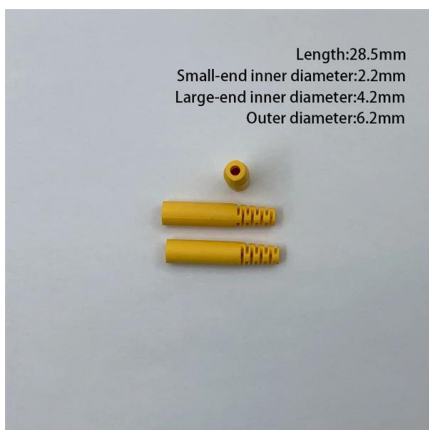
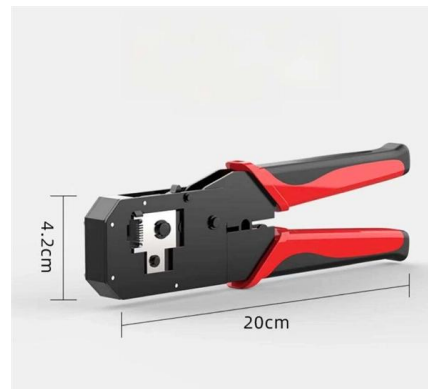


## Composite Power Opgw Aerial 72b1 12-288 Core/Hilos Acs AA Wire

Designed for high-voltage transmission lines, this composite cable features optical fibers embedded within a stranded aluminum-clad steel (ACS) or all-aluminum alloy (AAA) outer structure, providing

## Customized Composite Optical Ground Wire 72 Core Lights

We are Henan Huadong Cable Co. manufacture and supplier, provide Customized Composite Optical Ground Wire 72 Core Lights Armoured Fiber Optic Cable on sale, factory price.



## LadonX(TM) Optical Fiber Composite Overhead Ground

Hermesys LadonX(TM) series Optical Ground Wire Cables (OPGW) for the installation on high voltage overhead power lines. The cable contains optical fibers for data



## 72 Core MPO/MTP Multi core Fiber Trunk Cable

72 Core MPO/MTP Multi core Fiber Trunk Cable  
72 Core MPO/MTP Multi core Fiber Trunk Cable  
MPO/MTP ribbon and trunk multi core cable assemblies facilitate

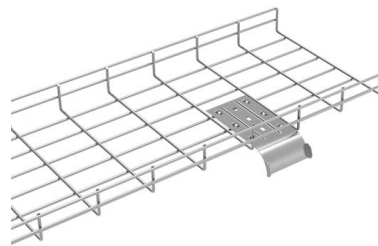


## 72 Cores GYTA53 Fiber Optic Cable Direct Buried

72 Cores GYTA53 fiber optic cable Double Armored & Double PE Sheathed is the steel tape armored outdoor fiber optic cable and gel-filled PBT loose tubes, and wrapped around a

## How to Choose the Suitable Number of Fiber Cores for

Fiber optic cables are essential to modern networks, enabling high-speed and reliable data transmission. Among their many features, the number of



## Multi-Loose Tube Fiber Cable

Outdoor dry core optical fiber Multi Loose Tube cable with aramid yarns as strength member and polyethylene outer jacket. Existing out of 6 tubes with a diameter of 1.9mm with 72 fibers (6t x 12f)



## Contact Us

---

For datasheets, pricing, or custom telecom energy solutions, please visit:  
<https://koskolong.co.za>