



**Adam Tas Corridor Energy**

# **ASEAN 10 Countries QSFP Optical Module 800G**

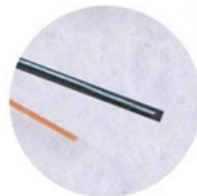


**CORE**

Long transmission distance



**JACKET**



**STEEL**

High strength





## Overview

---

The 800GBASE-DR8 OSFP Optical Transceiver Module is designed for 800GBASE Ethernet throughput up to 500m over singlemode fiber (SMF) with MPO-16 connectors. Cisco QSFP-DD and OSFP 800G ZR/ZR+ digital coherent optics modules enable 800G traffic over amplified Dense Wavelength-Division Multiplexing (DWDM) links up to 120 km for 800ZR and over 1000 km for 800G ZR+. The FS® 800GBASE Quad Small Form-Factor Pluggable (OSFP/QSFP-DD) portfolio offers customers a wide variety of high-density and low-power 800 Gigabit Ethernet connectivity options for data center, high-performance computing networks, enterprise core and distribution layers, and service provider. S, Canada, Mexico), Europe (Germany, United Kingdom, France, Italy, Spain, Netherlands, Turkey), Asia-Pacific (China, Japan, Malaysia, South Korea, India, Indonesia, Australia), South America (Brazil, Argentina). 800G QSFP-DD Optical Module by Application (Ethernet, CWDM/DWDM, Connector, Wired/Wireless Access, Others), by Types (QSFP-DD SR, QSFP-DD LR, QSFP-DD DR), by North America (United States, Canada, Mexico), by South America (Brazil, Argentina, Rest of South America), by Europe (United Kingdom. From the initial 40G to today's 800G, the QSFP family has continuously evolved, driving the iterative upgrades of high-speed networks like Ethernet and InfiniBand. This article provides an in-depth exploration of QSFP's development, key variants, and irreplaceable advantages. United Arab Emirates (UAE) 800G QSFP-DD Optical Module Market Global Outlook, Country Deep-Dives & Strategic Opportunities (2024-2033) Market size (2024): 1.



## ASEAN 10 Countries QSFP Optical Module 800G

---

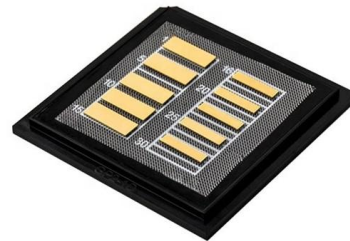


### QSFP-DD Optical Transceivers for High-Speed

Cisco's comprehensive portfolio of QSFP-DD modules support 400G and 800G data rates across copper, multimode fiber, and single-mode fiber, and

### 800G OSFP Optical Transceiver Modules

Have any questions? Talk with us directly using LiveChat.



### QSFP-DD 8x100G LR 10km Optical Transceiver Module

FiberMall QSFP-DD-800G-LR8 QSFP-DD 8x100G LR Optical Transceiver Module supports up to 850Gb/s bit rate and uses a Wavelength of 1310nm via MPO-16

### 800G QSFP-DD Cable and Transceiver Modules Data Sheet

Product overview The FS® 800GBASE Quad Small Form-Factor Pluggable (OSFP/QSFP-DD)

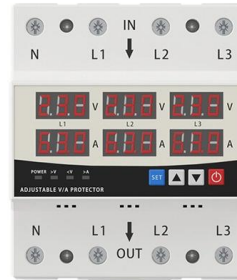


portfolio offers customers a wide variety of high-density and low-power 800

### LED DISPLAY PANEL

#### CURRENT STATUS CLEARLY VISIBLE

IT CAN CLEARLY SHOW THE CURRENT STATUS AND VOLTAGE STATUS, WITH EFFICIENT OPERATION AND RAPID RESPONSE.



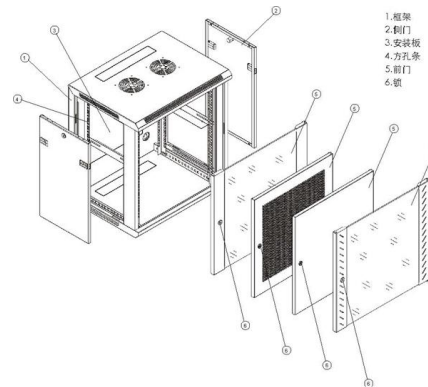
## Everything You Need to Know About 800g QSFP-DD

Explore the essentials of 800G QSFP-DD optical transceivers, including specs, form factors, and compatibility for high-speed Ethernet applications.



### 800G Optical Module: osfp vs qsfp-dd

Nowadays, 400G optical modules are widely used, but 800G optical module technology has also been slowly used in data centers and other



## 800G QSFP-DD Cable and Transceiver Modules Data Sheet

OSFP800-DR8-B1 The 800GBASE-DR8 OSFP Optical Transceiver Module is designed for 800GBASE Ethernet throughput up to 500m over singlemode fiber (SMF) with MPO-16





## 800G Module Packaging: QSFP-DD or OSFP, Which

Discover the differences between 800G QSFP-DD and OSFP modules. Learn which packaging offers the best performance, heat dissipation,



## 800G Optical Transceiver Overview: QSFP-DD and

Optical module is the optoelectronic device that realizes photoelectric and photoelectric conversion in optical communication, and is the core part of

## QSFP Optical Module Guide: 40G to 800G Evolution & Selection

The definitive guide to the QSFP optical module series (40G, 100G, 400G, 800G). Learn the technical differences, evolution path, and optimal selection criteria for QSFP+, QSFP28, QSFP



## 800G QSFP-DD DR8+: High-Density Optical Interconnect for Next

Conclusion The 800G QSFP-DD DR8+ module delivers a powerful blend of speed, density, and reach--making it an ideal solution for modern data centers, AI clusters, and service provider



## Strategic Roadmap for 800G QSFP-DD Optical Module Industry

Discover the booming 800G QSFP-DD optical module market! Explore key trends, drivers, and restraints shaping this high-growth sector, with insights into leading companies, regional market

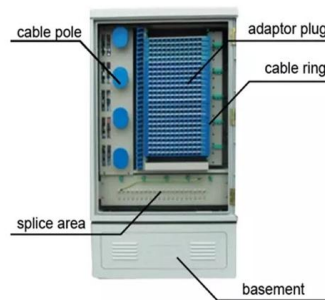


## Application Introduction for 800G OSFP and 800G

A comprehensive selection of 800G optical modules is available, including AOC, DAC, and AEC, all provided in OSFP and QSFP-DD form factors.

## 800G Optical Modules: A Detailed Comparison of QSFP

In today's fast-paced world of data centers and telecoms, 800G optical modules are leading the charge in high-speed network innovation. But



## 800G OSFP Optical Transceiver Modules

Cisco OSFP-800G-VR8 Compatible 800GBASE-SR8 (2x400G SR4) Twin-port OSFP IHS/Closed Finned Top PAM4 850nm 50m Dual MPO-12/APC DDM MMF Optical Transceiver Module for



### **800G Optical Transceiver Overview: QSFP-DD and OSFP Packages**

Optical module is the optoelectronic device that realizes photoelectric and photoelectric conversion in optical communication, and is the core part of optical communication industry. The



### **COMNEN QSFP-DD 800G SR8 Optical Transceiver Datasheet**

This product is a 800Gb/s QSFP-DD800 SR8 optical module designed for 100m optical communication applications. The module converts 8 channels of 100Gb/s (PAM4) electrical input data to 8 channels

### **800G QSFPDD SR8 100m Optical Transceiver Module , GIGALIGHT**

The ModSelL allows the use of multiple QSFP-DD modules on a single 2-wire interface bus. When ModSelL is "High", the module shall not respond to or acknowledge any 2-wire interface





## Exploring FS 800G Transceivers: Your FAQs Answered

The introduction of the 800G module addresses this demand for high-speed data transmission. FS 800G transceivers incorporate advanced modulation and demodulation techniques



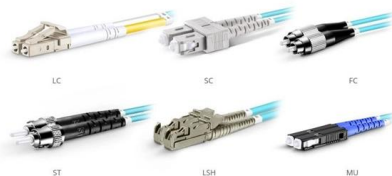
## 800G LPO QSFP-DD800 Optical Transceiver for AI/HPC Data Centers

By leveraging linear pluggable optical (LPO) technology, these modules minimize on-module digital signal processing, reduce power consumption per port, and support scalable, high



## 800G QSFPDD SR8 100m Optical Transceiver Module , GIGALIGHT

These modules are designed to operate over multimode fiber systems using a nominal wavelength of 850nm. The optical interface uses 16 fiber MTP (MPO) connector.



OM3 Fiber Patch Cable Family

## Cisco QSFP-DD and OSFP 800G ZR/ZR+ Coherent Optics Modules

Cisco QSFP-DD and OSFP 800G coherent optical modules are supported on Cisco switches and routers. For more details, refer to the Cisco Transceiver Modules Compatibility Matrix.



### **800G QSFP-DD Cable and Transceiver Modules Data Sheet**

The 800GBASE-DR8 OSFP Optical Transceiver Module is designed for 800GBASE Ethernet throughput up to 500m over singlemode fiber (SMF) with MPO-16 connectors. This



### **A Comprehensive Guide to 800G Optical Transceivers**

An in-depth guide to 800G and OSFP transceivers, explaining form factors, core features, key advantages, application scenarios, FAQs, and their critical role in



### **800GBASE OSFP/QSFP-DD800 Optics Transceivers**

800G QSFP-DD800/OSFP optical module includes two architecture solutions, 2x400G and 8X100G. Its optical interfaces include MPO-16, Dual MPO-12, Dual





## 800G Optical Modules Explained: Standards, Types

Discover everything about 800G optical modules--standards, packaging, types & applications. Learn how they power AI, HPC & next-gen data

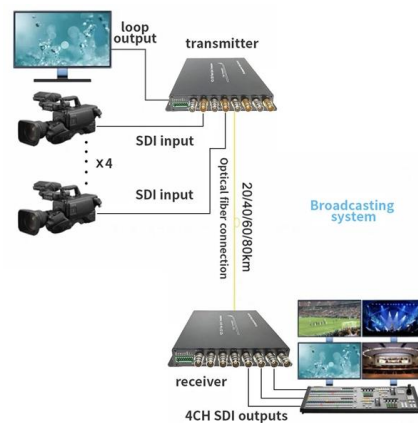


## Global 800G QSFP-DD Optical Module Market Analysis, Share

The 800G QSFP-DD Optical Module Market report is intricately designed to provide a comprehensive and in-depth insight into this specialized segment of the optical transceiver industry.

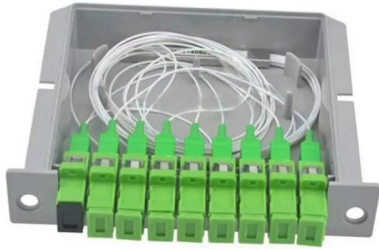
## Cisco QSFP-DD800 Transceiver Modules Data Sheet

The Cisco family of QSFP-DD800 modules leverages the cornerstone of high-speed, high-density pluggable form factors, QSFP. The QSFP-DD800 provides the industry's highest bandwidth density



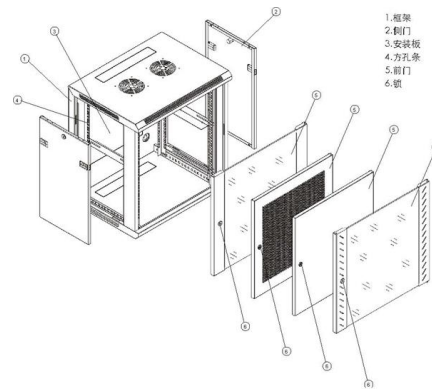
## United Arab Emirates (UAE) 800G QSFP-DD Optical Module

The United Arab Emirates (UAE) 800G QSFP-DD Optical Module Market is expected to witness sustained global growth driven by innovation, digitization, and emerging economy participation.



## Demo: CEI OSFP 800G SR8 LPO Optical Transceiver Module

OSFP 800G 2xFR4 LPO Optical Transceiver Module 2 sets of 400Gbps FR4, data rate up to 53.125GBaud per channel Typical Power Consumption less than 10W Up to 2km reach with Single



## Contact Us

For datasheets, pricing, or custom telecom energy solutions, please visit:  
<https://koskolong.co.za>