



**Adam Tas Corridor Energy**

# **Andorra Operation and Maintenance of Passive Optical Network OSFP**





## Andorra Operation and Maintenance of Passive Optical Network OS

---



### Software defined passive optical networks with energy-efficient control

Software defined passive optical network (SPON) architecture is designed with OpenFlow protocol extension in this paper, based on which a novel energy-efficient control strategy is proposed

### ABC of GPON SFP: Understanding GPON OLT / ONU / ONT SFP

In this basic GPON topology, a GPON OLT module is used to connect a single-mode fiber patch cable to a passive optical splitter. Therefore, GPON OLT transceiver works to get the



### Access control system: Monitoring tool for fiber to the home passive

In this study, a geographic information system (GIS) based novel fiber network monitoring system (FNMS) has been developed to improve operation and maintenance of fiber optic networks

### Optical fiber-fault surveillance for passive optical networks in S-band

Our solution addresses various service provisioning and network maintenance challenges in



PONs, alleviates their com-plexity, and reduces their operational cost.

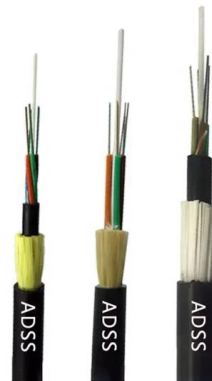


### Passive Optical Network Survivability: Protection,

Passive optical network (PON) technologies have received increasing attention as demand for fibre access networks has grown. Enhancing fibre access

### Passive Optical Networking: Transforming Fibre Access for the Digital

For operators planning future fibre Rollouts, Passive Optical Networking offers a compelling route to meet current needs and to stay ready for the next wave of digital services, from immersive video and



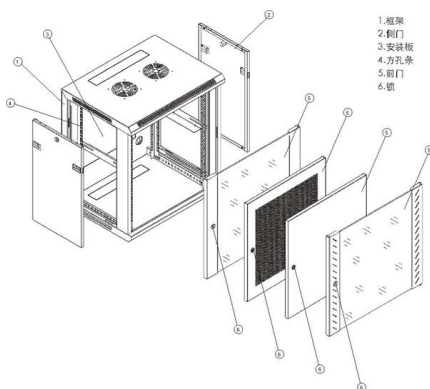
### Association for Passive Optical LAN Passive Optical LAN Technical

Optical Line Terminal (OLT) or Headend Equipment: The equipment that connects to the network core, aggregates services, and distributes across the single-mode optical fiber to the Optical Network



## OSFP Guide

OSFP (Octal Small Form-factor Pluggable) has become a frontrunner in the latest 400/800G capability with options to sustain this high-speed requirement as well as features for connecting to lower



## Understanding OSFP: The Future of Transceivers in

Explore the OSFP transceiver: a high-speed, future-ready solution for data centers. Learn its advantages in bandwidth, thermal performance, and signal integrity.

## (PDF) Passive Optical Networks Progress: A Tutorial

For many years, passive optical networks (PONs) have received a considerable amount of attraction regarding their potential for providing



## PASSIVE OPTICAL NETWORK

Any installer seeking to install the Draka Passive Optical Network System being offered and wishes to apply for the Draka Passive Optical Network Product Warranty shall first complete a curriculum of





## Understanding the OSFP Standard: The Open 400G/800G Optical

The OSFP standard marks a pivotal step toward scalable 400G and 800G optical networking, designed from the ground up for AI, cloud, and HPC infrastructures. With open MSA



## Andorra Passive Optical Network (PON) Equipment Market (2025)

Historical Data and Forecast of Andorra Passive Optical Network (PON) Equipment Market Revenues & Volume By Optical Network Terminal (ONT) for the Period 2021- 2031

## Using Passive Optical TAPs for Real-Time Network

As data network security monitoring becomes essential for performance and security, passive optical TAP cassettes offer a simple, cost-effective solution



## How to Achieve Interconnection Between OSFP and QSFP-DD Ports?

This article outlines key OSFP and QSFP-DD differences and offers four practical interconnection solutions to support scalable 400G/800G data center networks.



## Everything You Need to Know About GPON SFP

An Overview of GPON SFP Modules Small form-factor pluggable transceivers known as Gigabit Passive Optical Networks (GPON) are designed



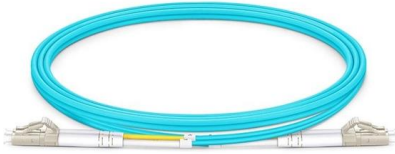
## Discovering the World of OSFP: A Comprehensive Guide

The Octal Small Form-factor Pluggable (OSFP) represents a pivotal advancement in the world of networking technologies. It is designed to support

## The Definitive Guide to Passive Optical Network (PON): Architecture

2. The Foundational Principles of PON To fully comprehend Passive Optical Network, it is essential to first grasp the core concepts that define its unique architecture and operational





## OSFP1600\_and\_OSFP-XD

OSFP-XD can also support 8-lane optics modules that want to take advantage of thermal management capabilities and useable volume inside the module. An 8-lane OSFP-XD module (tentatively referred

## A Comprehensive Guide to 400G OSFP Ethernet

Explore 400G OSFP Ethernet optical transceivers for modern data centers, AI and HPC networks. Learn OSFP advantages, use cases, and



## Extreme Networks Optical Transceivers: QSFP-DD/OSFP Technical

Technical guide to Extreme Networks QSFP-DD and OSFP optical transceivers. Learn about DDM monitoring, compatibility considerations, and deployment strategies for high-speed

## Intent defined optical network for intelligent operation and maintenance

The automatic operation and maintenance of optical network is important for ensuring information communication and network operation. The growing variety of services has forced operation and



### **The challenges and importance of fibre optic network Quality,**

A high-quality fibre-optic network requires stringent checking. Checks must be carried out in accordance with standards and benchmarks at every stage of product manufacture and installation to detect any



### **Passive Optical Network design under Operations**

PDF , On Jan 1, 2012, Cedric Hervet and others published Passive Optical Network design under Operations Administration and Maintenance considerations , Find,



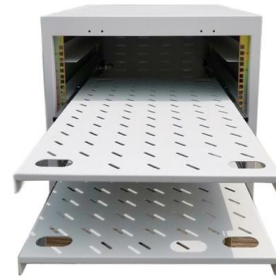
### **Passive Optical Networks**

A passive optical network (PON) is defined as a point-to-multipoint communication architecture that utilizes a single optical fiber split among multiple endpoints, allowing for increased bandwidth and



## Welcome to OSFPmsa

OSFP-XD Specification November 23, 2025 Rev 1.11 :: Specification for OSFP-XD Octal Small Form Factor eXtra Dense Pluggable Module  
September 12, 2024 Rev. 1.1 :: Specification for



## In-Service Line Monitoring for Passive Optical Networks

2.1 In-service line monitoring technique using U-band test light for access network An optical fiber line testing system is essential for reducing maintenance costs and improving service reliability in optical

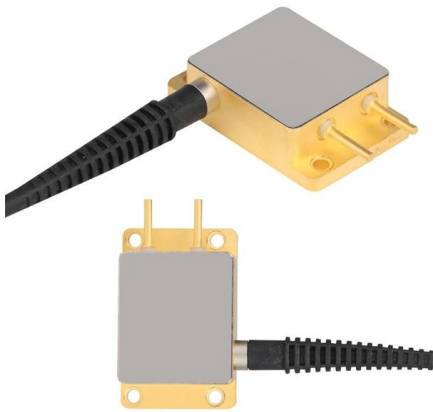
## OSFP1600\_and\_OSFP-XD

This whitepaper summarizes the OSFP-XD mechanical, electrical, and thermal design capabilities. We expect the specification to be released early Q4 '22 and the first 1.6 Tb/ s OSFP-XD systems in the



## OSFP Fibre Optic Transceiver Overview - ATGBICS

OSFP Fibre Optic Transceiver Overview OSFP (Octal Small Form factor Pluggable) transceivers support 400Gbps, and 800Gbps bandwidth speeds through eight



## Contact Us

---

For datasheets, pricing, or custom telecom energy solutions, please visit:  
<https://koskolong.co.za>