



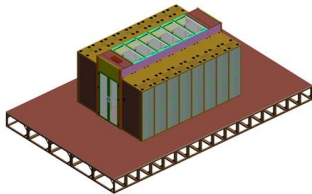
Adam Tas Corridor Energy

Angola Flame-Retardant Cable Tray Manufacturer Sales





Angola Flame-Retardant Cable Tray Manufacturer Sales



About Us

About Us At Angola Wire, we take pride in offering a diverse range of steel wire, sheet, and tube products that cater to various industries and applications. With our extensive experience and

Custom Wire Baskets, Wire Trays & Wire Products For

Cable management systems and other products are critical to any on-site telecommunications network. With more than 60 years of manufacturing expertise



Mild Steel Cable Tray In Angola

Mild Steel Cable Tray in Angola for Streamlined Management Engineered with precision and crafted with meticulous attention to detail, our cable trays adhere to industry standards, offering reliable solutions

Fire Rated Cable Tray, Heavy-Duty Cable Tray Manufacturer

Your Reliable Fire Rated Cable Tray Manufacturer in China NewReach specializes in fire-rated cable



trays that are carefully designed to endure high temperatures and prevent the spread of flames.



Top Cable Tray Manufacturers Worldwide: A

Discover leading cable tray manufacturers worldwide, including top companies in Europe, South America, North America, Africa, and Asia. Learn

Cable Tray In Angola, Cable Tray Manufacturers Suppliers Angola

As one of the foremost Cable Tray Exporters and Suppliers in Angola, we offer our complete range at competitive market prices. Send us your enquiry to know more.



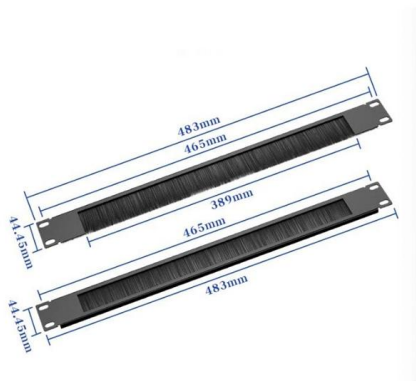
Wholesale Cable Trays 5687 angola Supplier, Distributors,

Find best suppliers of wholesale Cable Trays 5687, Best manufacturer, distributor, wholesaler, dealers, Importer and Exporter of Cable Trays in ANGOLA at Abraa wholesale Market



#angola #export #trade #logistics #africa

? Another cable project delivered! ? We are excited to share yet another success from Viewpulse Limited -- this time with the supply of 680 metres of UL-compliant TC



Cable Ducts Wiring Channels Cable Tray Pvc Frls Type Standard

Featuring UL94-V0 flame retardant rating, RoHS and REACH compliance, and a secure locking system, these 45x25x500mm ducts provide durable, heat-resistant protection for your wiring needs in

#angola #export #trade #logistics #africa #internationaltrade

? Another cable project delivered! ? We are excited to share yet another success from Viewpulse Limited -- this time with the supply of 680 metres of UL-compliant TC Tray Cable for a



Cable Tray Manufacturer, Cable Ladder, Wire Mesh Cable Tray,

We are the high quality and leading cable tray manufacturer and supplier in Africa. We have various types of cable trays and accessories to keep your wires safe and untidy at reasonable prices - Hutaib



Cable Tray Suppliers Exporting to Angola

A comprehensive price analysis of Cable Tray supplies can reveal the most profitable and cost-effective suppliers. The per-shipment Cable Tray price can be observed in the above export data,



Fire-Resistant Cable Trays in High-Risk Environments

In environments with high fire risks, the Fire-resistant cable trays plays a pivotal role in maintaining safety and protecting

Tray Cable

Tray cables are built to be flame retardant, offer safety and code compliance and provide adequate mechanical strength. The performance characteristics of tray





Stainless Steel Cable Tray In Angola

Top Stainless Steel Cable Tray Manufacturers in City Are you in need of robust and reliable solutions to manage your cables efficiently? Look no further! Brilltech Engineers Pvt. Ltd. presents a

Technical Guidelines for Cable Tray Installation and

Install fire barriers within the tray to isolate different fire zones. When cable trays pass through walls or floors, seal openings using fire-rated penetration sealing



Cable Tray Manufacturers In Angola, Electrical Cable Tray Suppliers

Being one of the trusted Galvanized Cable Tray Exporters and Suppliers in Angola, we promise you the timely delivery and after-sale support. Drop us your requirements and speak with our experts to have

Fire Safety and FRP Cable Trays: Meeting Regulatory Standards

By choosing fire-resistant FRP cable trays, incorporating flame-retardant additives, and following proper installation and maintenance procedures, you can confidently use FRP cable trays while meeting or



Cable Tray In Angola, Cable Tray Manufacturers Suppliers Angola

Being one of the leading Cable Tray Manufacturers in Angola, we use graded raw materials and all the latest technologies for manufacturing purpose. Our experienced team also pays attention to their



PVC Cable Tray In Angola, PVC Cable Tray Manufacturers Suppliers

Our trays can be easily cut, drilled, and joined using appropriate tools, allowing for flexible configuration on-site. We, the foremost Perforated Cable Tray Manufacturer and Supplier in Angola, offer a wide



FRP Cable tray

FRP Cable Trays: Our FRP cable support systems are ideal for locations where the metallic systems get easily corroded (Iron forms rusty layer and Aluminium





Cable Tray In Angola, Cable Tray Manufacturers Suppliers Angola

Looking for a trusted source to buy Cable Tray In Angola? Brilltech Engineers Pvt. Ltd is the one you can reach. We have a highly experienced team, well-loaded manufacturing unit and a lot more to



Wire Mesh Cable Tray Systems & Cable Management

At Angola Wire, we specialize in providing a diverse range of building cable trays, available in various materials and finishes. With our extensive experience, we

Angola Wire

Angola Wire was forged from a higher Stars and Stripes standard. For nearly six decades, we've been a fixture in the American manufacturing legacy, producing



Perforated Cable Tray In Angola

Best Perforated Cable Tray Manufacturers in Angola Looking for a safe and easy way to organize your cables? Brilltech Engineers Pvt. Ltd. offers a high-quality Perforated Cable Tray in Angola. Our trays



Electrical Panel Manufacturers In Angola, Bus Duct Suppliers

Whether you are looking for Load Management Panel, Rising Mains or Cable Tray in Angola, we are the one-stop to reach for the same. Our team understands your requirements and promise to deliver the



FRP Cable Tray Catalog Features & Specs & Applications

The structure of FRP channel cable tray shows perforated bottom with integral side rails. Plus on it, it is closed. It is generally used in places fire-proof, moisture-proof, dust-proof, anti-interference, and

Cable Trays

Cable Trays and Cable Management Systems A cable tray is an essential component in electrical systems, providing a structured pathway for safely routing





Cable Trays In Angola, Cable Trays Manufacturers Suppliers

Choose us- one of the prominent Cable Trays Exporters and Suppliers in Angola, for quality, expertise, and reliable cable management solutions. Contact us today to discuss your project requirements and

Contact Us

For datasheets, pricing, or custom telecom energy solutions, please visit:
<https://koskolong.co.za>