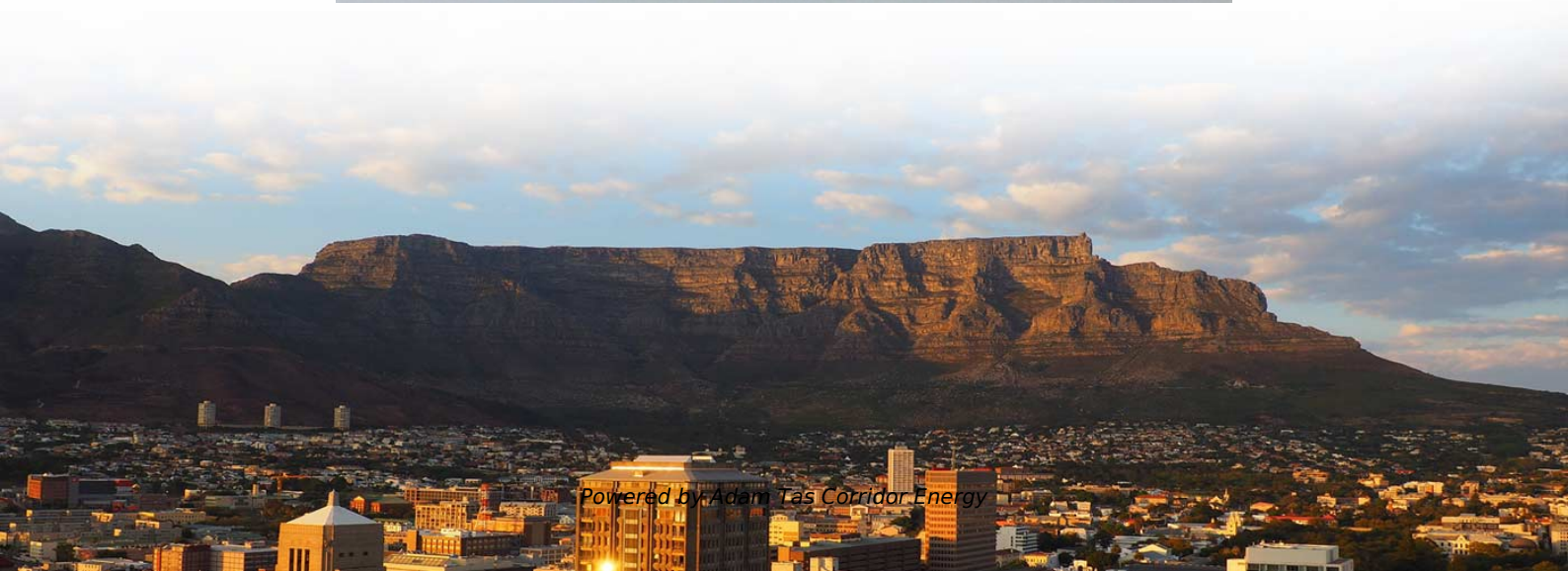




**Adam Tas Corridor Energy**

# **Angola quality guaranteed optical transceiver module 25G**





## Angola quality guaranteed optical transceiver module 25G

---



### SFP28 Optical Transceiver Modules (25G-SR/LR)

Buy 25G SFP28 Optical Transceiver Modules by Amphenol XGIGA Factory-Direct at Cables on Demand! Optimized for data rates up to 28.0 Gbps per SFP28 channel in 25GBASE-SR1 (Short

### 1000BASE-EX SFP 20km Industrial Transceiver

EDGEOPTIC 1000BASE-EX SFP 20km industrial: 1310nm, 15dB link budget, -40 to 85°C. Ruggedized extended-reach for outdoor metro networks.



### Cisco 25GBASE SFP28 Modules Data Sheet

The Cisco 25GBASE-ER Module supports a link length of 40 kilometers on standard Single-Mode Fiber (SMF) G.652 at 25G. The module



### 25G SFP8 ZR 80km Optical Transceiver Module , FiberMall

FiberMall SFP28-25G-ZR 25GBase SFP28 ZR optical supports high-speed serial links over



single-mode enabling 80km transmission using an EML laser transmitter.



ST/APC-ST/APC Singlemode Simplex  
3.0mm Fiber Optic Patch Cord

## How to Choose the Ideal 25G Optical Transceiver?

Learn how to choose the right 25G optical transceivers for your network based on key factors such as performance, compatibility, and cost-effectiveness.

## SFP28 25G LR Transceiver: Complete Guide for 25G Ethernet

Whether you are upgrading a data center network, deploying 25G spine-leaf architecture, or evaluating third-party optics, this guide will help you determine if an SFP28 25G LR module is the right choice



## 25GBASE-SR SFP28 850nm 70m (OM3) /100m (OM4)

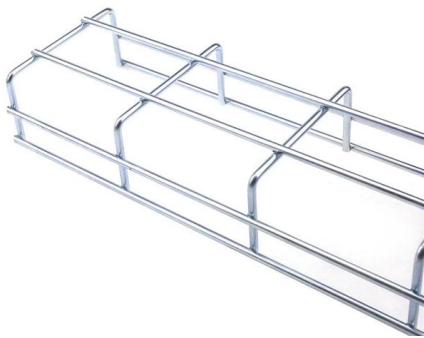
SFP-25G-SR SFP28 optical module offers optimal input/output (I/O) performance and 2.5 times the fiber capacity of 10G Ethernet performance. The biggest





## 10GTEK 25G SFP28 SFP+ SR Transceiver, 25GBase

10Gtek focuses on developing high performance cable and transceiver solutions for data center, HPC and AI applications. The main products include



## Demystifying SFP28: The Essential Guide to 25G

SFP28 is a 25G transceiver module for fast, efficient data transfer in modern networks, offering high speed, compatibility, and energy savings.

## ConsultIT , O Melhor da Tecnologia ao Seu Alcance »

SM Fiber Transceiver 1.25G Ref.: HK-SFP-1-25G-20-1310-DF 23.055,94 Kz IVA Incluído Disponível Características Downloads



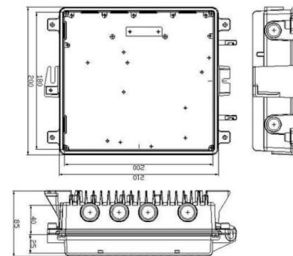
## 25GBASE-SR SFP28 Transceiver EUR14.53 , EDGE

25GBASE-SR SFP28 transceiver, 850 nm VCSEL, 100 m OM4 / 70 m OM3, IEEE 802.3by with RS-FEC, 0.3 W, LC/UPC duplex, DOM per SFF-8472. EUR14.53.



### Intel Compatible E25GSFP28SRX 25G SFP28 Module

Intel compatible E25GSFP28SRX Optical Transceiver supporting 25Gbps data rate in 100m distance over Multi-Mode Fiber (MMF), LC connectors



### Dual-Rate 10/25G Transceiver Module Overview

The 10/25G dual-rate module is a type of optical transceiver that supports two different data rate options: 10 gigabits per second (Gbps) and 25

### 25G SFP28 Transceiver Module Types and Applications

25G CWDM SFP28 transceiver is a single mode CWDM transceiver for duplex optical data communications at a nominal wavelength of CWDM (1271~1331nm). CWDM transceiver is designed





## 25G SFP28 Transceiver Module Types and Applications

25G Standard SFP28 Transceiver Module The SFP28 transceiver modules are key components in high-speed optical networks, offering versatile solutions for various distances and



## 25G SFP28 Transceiver

QSFPTEK offers a 25G SFP28 high-performance Active Optical Cables integrated cable that can provide an ideal alternative solution for high-speed cables and short-distance SFP28 optical modules.



## 25G SFP28 LR Transceiver: 10km Reach Optical

Experience reliable 25G data transmission with Innoptical's SFP28 LR transceivers. Reach up to 10km and ensure seamless interoperability for your long distance

## 25G SFP28 Optical Transceiver , Fiber Optic Module Factory

25G SFP28 optical transceiver is a small, pluggable, high-speed optical module with a rate of up to 25.78Gbps and supports dynamic DDM monitoring. Backed by comprehensive interoperability



## ProLabs New 25G Transceivers Build Bridges for 5G At Any Distance

Network operators are pivoting architectures to market mature, cost-effective 25G ethernet technologies. With functionality and compatibility guaranteed, Prolabs' 25G transceiver line offers a



## What You Need to Know About 25G SFP28 DWDM Optical Transceiver Modules

Discover everything you need to know about 25G SFP28 DWDM optical transceiver modules, including data rates, wavelengths, and compatibility.



## Genuine optics 25G-200G series products.

The MTRA-4C33A-XX Transceiver is a high performance, cost effective module for serial optical data. They are used in single-lane 4-level Pulse Amplitude Modulation (PAM4) 50G Ethernet links and



## 100G QSFP28 Optical Transceiver Module (id:11667949) Product

100G QSFP28 Optical Transceiver Module(id:11667949), View quality 100G QSFP28, OPTICAL TRANSCEIVER, QSFP MODULE details from III-V Technology Shenzhen Co., Ltd storefront on



## 25G SFP+ Optical Transceiver

Our customers enjoy guaranteed product assurance, competitive pricing, lifetime warranties, and peace of mind in our ability to deliver on time, every time.

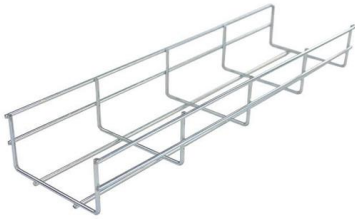
## An In-depth Guide to 25G SFP28 Optical Transceiver

Discover the advantages, specifications, and applications of 25G optical transceiver solutions--for high-speed data center, enterprise, and telecom networks.



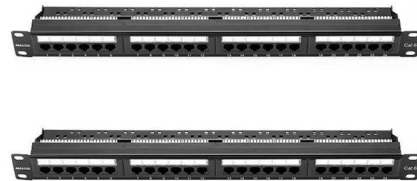
## 25G/40G/100G Transceiver - Optcore

Upgrade your data center switches with various 25G/40G/100G Transceiver. Guarantee compatibility with Cisco, Arista, HPE and more. Save 80%, Fast shipping & 3-year warranty.



## 1.25G BIDI SFP Optical Transceiver Module

1.25G BIDI SFP Optical Transceiver Module(id:11667930), View quality 1.25G SFP BIDI, OPTICAL TRANSCEIVER, SFP MODULE details from III-V Technology Shenzhen Co., Ltd storefront on



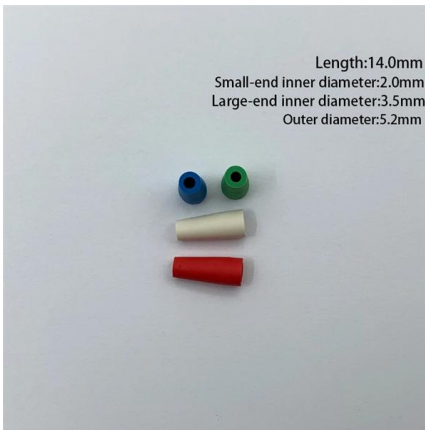
## SFP28 25G SR Optical Modules: High-Performance Network Solution

Explore the benefits of SFP28 25G SR optical modules for fast, cost-effective connectivity in data centers, enterprise networks, and 5G. Upgrade your network with FS.

## SFP28-25G-SR 25Gbps SFP28 SR Transceiver, MM,

The SFP28 SR transceivers are high performance, cost effective modules supporting data rate of 25Gbps and 100m transmission distance with MMF.





## 10G SFP+ Optical Transceiver Module (id:11667933) Product details

10G SFP+ Optical Transceiver Module(id:11667933), View quality 10G SFP+, OPTICAL TRANSCEIVER, SFP MODULE details from III-V Technology Shenzhen Co., Ltd storefront on

## SFP28 Optical Transceiver Modules for Sale (25G) , Cables on Demand

SFP28 Optical Transceiver Modules (25G-SR/LR)  
Buy 25G SFP28 Optical Transceiver Modules by Amphenol XGIGA Factory-Direct at Cables on Demand! Optimized for data rates up to 28.0 Gbps



## 25G LWDM/DWDM SFP28 : Optical Transceiver Module

NEC's 25G WDM SFP is an optical transceiver that uses WDM technology to enable high-capacity data transmission on a single fiber. It offers products that support

## Optical SFP Module 25Gbps SFP28 SR Transceiver, MM, 850nm,

DESCRIPTION The SFP28 SR transceivers are high performance, cost effective modules supporting data rate of 25Gbps and 100m transmission distance with MMF. The SFP28 transceiver adopts LC



## Contact Us

---

For datasheets, pricing, or custom telecom energy solutions, please visit:  
<https://koskolong.co.za>