



Adam Tas Corridor Energy

Anti-loosening accessories for distribution boxes





Anti-loosening accessories for distribution boxes



Area distribution boxes with connectors

The area distribution box associated with the copper or optical feedthrough sockets allows total flexibility: the connections close to the workstation are centralised.

BULK DISTRIBUTION BOXES

BULK DISTRIBUTION BOXES - ACCESSORIES

Usually fitted at the base of a silo or storage bin, the Angel Hair Remover should be installed below a Hamilton Slide Gate (see below) and above your



Distribution enclosure, Distribution box

Used for strong current connection of high voltage distribution box, all-in-one controller, battery box and other equipment. JX59 single-core series adopt plastic housing, while JX59M single-core series

A comprehensive understanding of distribution box

? Introduction Distribution boxes are at the heart of safe and organized electrical



systems--whether in residential, commercial, or industrial settings. But

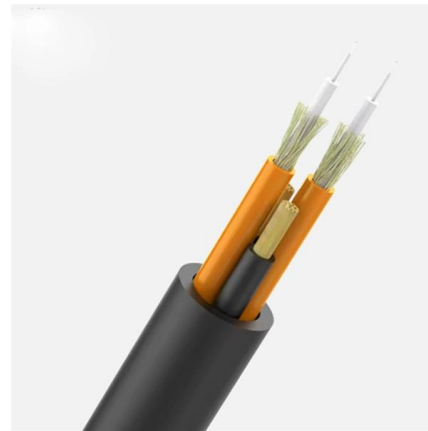


Legrand

Vikiwat Ltd. was created in 1991 and specialises in electronic components, as well as consumer electronics. Currently offers more than 60,000 products on its ecommerce platform. Find exactly what

Power Distribution Terminal Block: Prevent Loose Wiring

The power distribution terminal blocks are specifically engineered to address this core problem. It ensures a stable and secure electrical connection, dramatically reducing the risk of a



Anti-loosening Washers DIN25201 Dacromet (E-BOX-NLDKL12)

E-BOX-NLDKL12 , Anti-loosening Washers DIN25201 Dacromet from MISUMI. MISUMI offers Free CAD Download, Competitive Price, Same Day and Free Shipping



Complete Guide For Distribution Boxes Types

Distribution boxes, also known as electrical distribution boards or panels, are pivotal components in electrical systems, ensuring the safe and organized distribution of



Accessories, distribution boxes , OBO

Distributors - Accessories, distribution boxes.



Anti-vibration anti-loosening technology from CZFastener

SHOXPROOF anti-vibration and anti-loosening technology from CZFastener (CZF), aims to address the root causes of loosening by utilising the



Accessories for Distribution Boxes

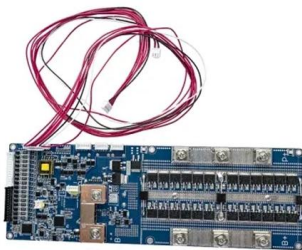
Independent power supply with build-in power source, directly draws power from the incoming end to avoid the risk of protection function failure caused by external





Distribution boxes (plastic) , Sonderhoff

Material systems for control cabinets and electrical distribution boxes made of plastic After more than 30 years of practical experience of the sealing of electrical



Wire Fixing Tips for Plastic Distribution Box Junction

ZCEBOX terminals are designed with anti-slip patterns, and tightening according to the recommended torque (1.2-1.8N·m) can greatly reduce the

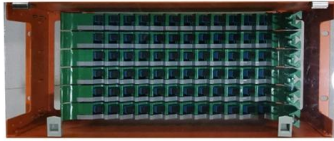
Distribution Boxes and Accessories

Accessories for DIN rail components are required for proper installation in distribution boxes. The product range includes busbars, wiring bridges in various lengths, and protective ground and neutral



How to Install a Cable Distribution Box Safely and

Reliable cable distribution boxes ensure safe, efficient power management for residential, commercial, and industrial systems. Learn



Understanding Power Distribution Boxes: Types, Features, and

Power distribution boxes are vital components in electrical systems, providing safe and efficient electricity distribution across various applications. With numerous types available, including



Browse Hard Wired Distribution Boxes , TE Connectivity

TE's power distribution boxes are flexible, cost-effective, and suitable for complex automotive and heavy-duty vehicle networks. Ask about our standalone modules and integrated solutions.



Transformer and Distribution Cabinet Equipment

- Distribution cabinets, stands, and boxes should be connected with galvanized bolts, and anti-loosening parts should be complete; if fire protection is





Configure surface-mounted distribution box now

Configure fuse and distribution box surface-mounted individually In addition to the high quality, the modern designs and the numerous application possibilities of our

Accessories, distribution boxes , OBO

Distributors - Accessories, distribution boxes.
Hotline: +49 (0)2373 89-1700 Faxnumber: +49 (0)2373 89-1238 E-mail: export @obo Opening hours: Mon.-Thur.: 7.30 a



Anti-loosening lock Würth Industrie Service

Using a flange screw or underlaying or packing a suitably hard washer reduces the surface pressure and prevents loosening. In addition to elastic deformations, settling also occurs in a screw connection,

Abb

SKU: 107412 Terminal block ZS35-BL for DIN busbar for conductors with cross section up to 35 mm², width 16 mm, height 59 mm, current 125 A and voltage 600 V. Accessory type: DIN rail terminal

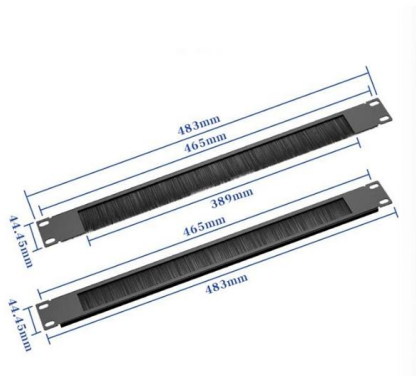


The Importance of Distribution Boxes in Electrical Systems

Learn more about how distribution boxes play a critical role in the safe and efficient operation of electrical systems.

The Complete Guide to Distribution Box: Installation, Types & More

Blog The Complete Guide to Distribution Box: Installation, Types & More By Admin Aug 2, 2025
No Comments # distribution box Introduction
Electrical systems power our homes, offices, and



What Is an Electrical Distribution Box? A Complete Guide

An electrical distribution box routes power, prevents overloads, and keeps wiring organised--essential for safe, efficient home and industrial setups!



Contact Us

For datasheets, pricing, or custom telecom energy solutions, please visit:
<https://koskolong.co.za>