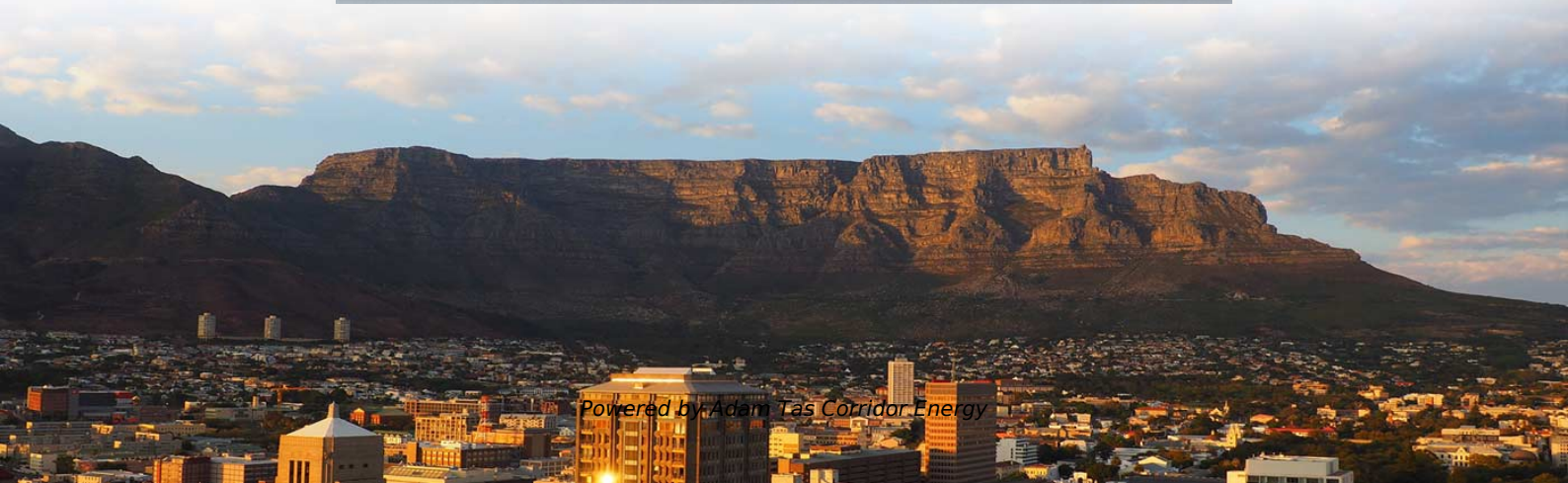




Adam Tas Corridor Energy

Applications of Multimode and Singlemode Fiber Optic Patch Cords





Applications of Multimode and Singlemode Fiber Optic Patch Cords

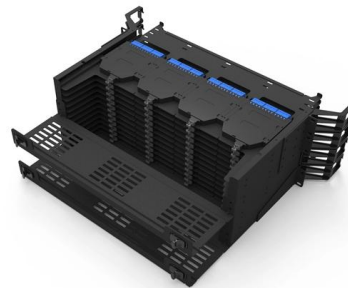
Fiber Optic Cable

Fiber Cable Belden's extensive line of indoor and outdoor cable products is offered in tight buffer and loose tube designs. Armored, burial, and ruggedized designs are



Understanding Fiber Optic Patch Cords: Single-Mode

Explore the differences between single-mode and multi-mode fiber optic patch cords for indoor and outdoor use. Learn about their applications and



Single-Mode vs Multimode Explained - Patch Cords Online

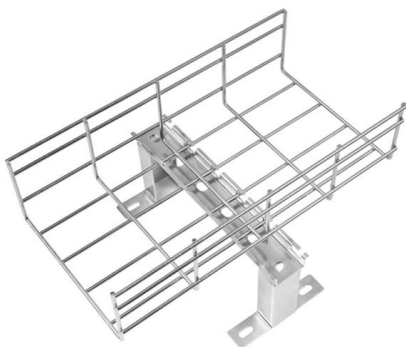
Single-mode sends a single light mode straight down the fiber, eliminating modal dispersion and low attenuation. That's why telecom carriers run

Fiber Optic Color Code Explained: Jacket, Connector

Understand fiber optic color codes with this complete guide. Learn about jacket colors, buffer



color standards, connector IDs, and practical visuals.



Fiber Optic Cable Types: A Complete Guide

The plethora of fiber optic cable types can seem overwhelming, but choosing the right cable for the job is important. Read on to learn what fiber optic

5 Key Differences OEM Buyers Must Know Between

Understand the 5 key differences between single mode and multimode fiber patch cords. This OEM guide covers distance, bandwidth, transceiver cost,



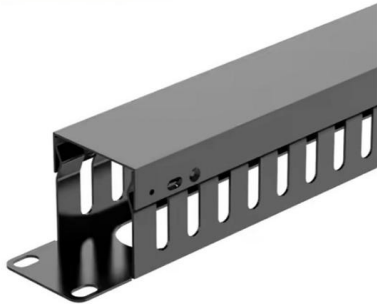
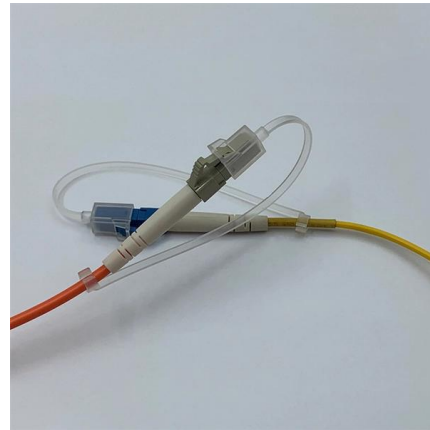
Structured Cabling Solutions

ICC is a structured cabling solutions manufacturer of copper & fiber optic connectivity products for commercial & residential applications.



Clerline Technology Group

Clerline manufactures single-mode and multimode fiber designed to out bend, out handle and outlast traditional cable technology. Our proprietary optical strand



China Fiber Optic Cable Manufacturer , Direct Factory Price & OEM

Fiber Optic Cables supplier Professional Custom Fiber Patch Cords China's specialized fiber optic cable supplier As a specialized manufacturer and supplier of fiber patch cords, we fully understand the

Fiber Patch Cables - fiber-optic patch cords,

Guiding Photonics produces multimode and single-mode fiber-optic patch cables for mid-infrared, high-power, and UV sources. The fibers can be packaged with SMA



Fiber Patch Cables Explained 2025: Types, Connectors,

Learn about fiber patch cables, their types (single-mode vs multimode), connectors (LC, MPO, MDC/CS), and use cases in data centers.



Single Mode vs Multimode Fiber: The Ultimate Guide to

The two main types-- single-mode and multimode fiber--serve different applications depending on distance, bandwidth, and cost requirements.



Multi-mode optical fiber

Applications The equipment used for communications over multi-mode optical fiber is less expensive than that for single-mode optical fiber. Because of its high

Fiber Optic Patch Cables: The Complete 2026 Buyer's Guide

Confused by LC, SC, MPO, UPC, and APC? This complete fiber optic patch cable guide covers connector types, single-mode vs multimode, insertion loss specs, and how to choose the right



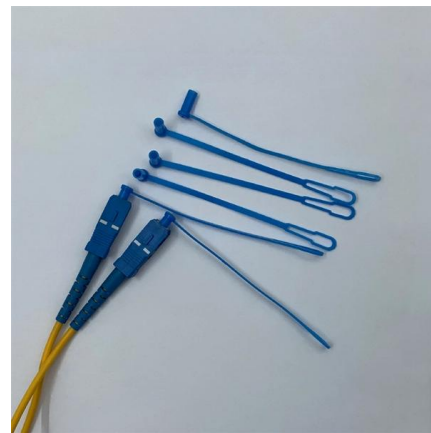


Best Fiber Patch Cables for 10G, 40G, and 100G

Explore how to choose the best fiber patch cords for 10G, 40G, and 100G networks. This guide compares singlemode vs multimode fibers (OM3,

Fiber Patch Cord Types and Mode Conversion

This article explains classification of fiber patch cords and methods for converting between multimode and singlemode links. Fiber patch cords are fundamental components of optical network



Best Fiber Duplex Patch Cords For Superior Connectivity

Panduit's Opti-Core Multimode Fiber Optic Patch Cord offers a robust and reliable solution for multimode fiber applications. Insertion loss measurements consistently fall within the

Multimode vs Single Mode Fiber Patch Cords: Which

Find out how to choose between single mode patch cord, lc lc single mode, sc lc single mode, and duplex OM3 multimode fiber for reliable network



Fiber Optic Pigtail: The Complete Guide to Types, Splicing Methods

This guide covers everything: what fiber optic pigtails are, how they differ from patch cords, which connector and polish type to specify, how to choose between mechanical and fusion

Ultimate Guide to Fiber-Optic Patch Cables: Types, Selection, and

Learn about fiber optic patch cables, their types, construction, applications, and how to choose the right one for your network needs.



2. Imported design is convenient for expansion.

The design of two inlets saves space and allows for rear line entry.

Fiber Optic Cable Types Explained

Our comprehensive guide to types of fiber optic cables. Learn all about the differences between single mode and multimode cables, as well as the various



Single Mode FC/APC Fiber Optic Patch Cables

These mating sleeves minimize back reflections and ensure proper alignment of the cores of each terminated fiber end. Thorlabs also offers AR-Coated Single Mode



MPO Patch Cord: A Guide to High-Density Fiber Cabling

MPO Patch Cords in 2026: The Definitive Guide for Industrial Networks As industrial operations, data centers, and telecommunication facilities contend with escalating data volumes and

Fiber Optic Patch Cords Guide , Types, Connectors

Explore fiber optic patch cords for telecom, data centers, and FTTH. From LC/SC to MPO/MTP and armored jumpers, ZION Communication offers



Contact Us

For datasheets, pricing, or custom telecom energy solutions, please visit:
<https://koskolong.co.za>