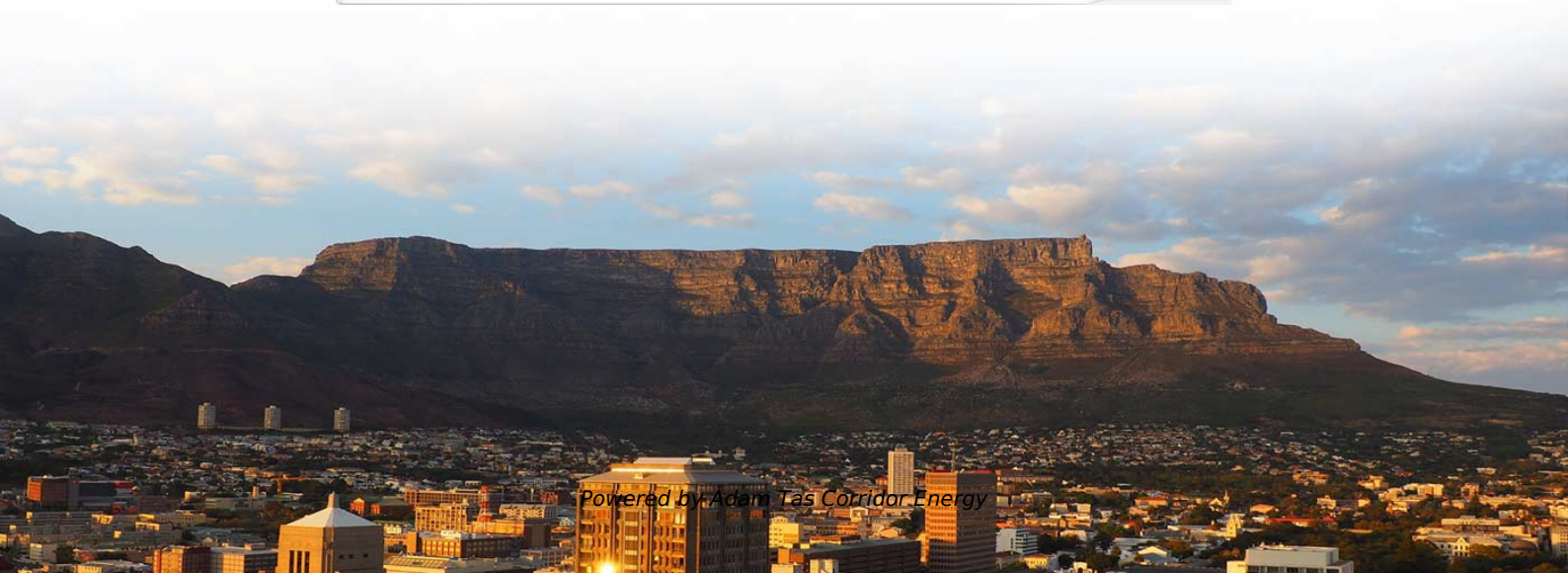




Adam Tas Corridor Energy

Asian Relay Protection Manufacturers





Asian Relay Protection Manufacturers



Top 10 Relay supplier China Products Compare 2025

Chinese factories manufacture a wide range of relays, including electromagnetic relays, solid-state relays, and automotive relays. These products cater to various industries such as automotive,

Top Companies in Relay Industry

To know about the assumptions considered for the study download the pdf brochure HONGFA HONGFA is a global leader in the relay industry, known for its specialization in electromechanical relays.



Motor Protection Relay, Transformer Module

We are an electrical equipment manufacturer and supplier in China, We are the only company that has a CCC certificate for protective relays. We attach great

Numerical Protection Relay and Electrical Relay

Ashida Electronics is a leading manufacturer of electrical relays, numerical protection relays, and



a trusted supplier of electrical automation and substation automation



Relay Manufacturers & Suppliers

Relay Manufacturers, Factory, Suppliers From China, We welcome new and previous buyers from all walks of life to make contact with us for upcoming



44 Protective Relay Manufacturers in 2026

44 Protective Relay Manufacturers in 2026 This section provides an overview for protective relays as well as their applications and principles. Also, please take a



China Customized Protection Power Relay Suppliers

We're professional protection power relay manufacturers and suppliers in China, specialized in providing excellent quality customized products. We warmly





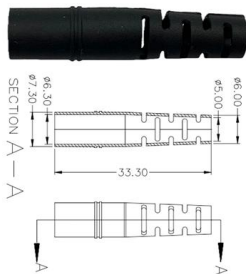
China's 10 Leading Relay Suppliers You Should Know in 2025

In this guide, we spotlight 10 standout Chinese relay manufacturers making waves through innovation, reliability, and global reach. Whether you're sourcing or just exploring, you'll find insights



China Industrial Relay Supplier, Manufacturer and

As a professional Industrial Relay manufacturer and supplier in China, we have our own factory. In addition, we also support quotation. If you are interested in



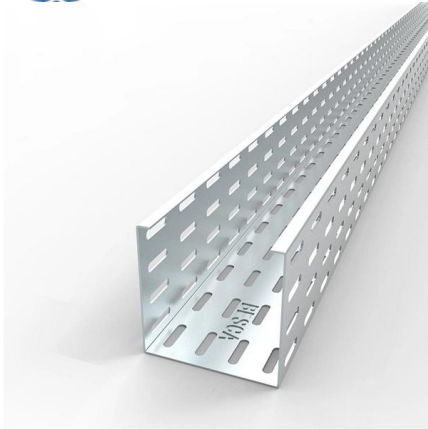
The Top 10 Relay Manufacturers List of 2026

Find the right partner with our relay manufacturers list. We compare the top 10 global players on quality, support, and supply chain to simplify your



2026 Top 10 Relay Manufacturers in China -- A Field Guide for

ODES Electric develops and manufactures auxiliary relays, measuring relays, signal conditioning modules, time relays, and control-circuit devices for power, utility, switchgear, and



Power relay manufacturer, mini power relay

Q: How to mitigate heat dissipation in high-power relays? A: Use relays with built-in heat sinks, ensure proper ventilation, and avoid continuous operation at maximum ratings. Q: What safety features are

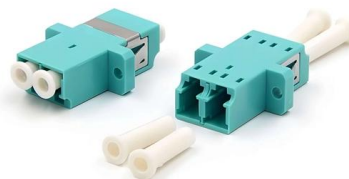


Protection Relays Manufacturers & Suppliers

protection relays manufacturers/supplier, China protection relays manufacturer & factory list, find best price in Chinese protection relays manufacturers, suppliers, factories, exporters & wholesalers

Asia Protection Relays Market Size and Forecasts 2030

The Asia protection relays market is set to experience significant growth, projected to expand at a compound annual growth rate (CAGR) of approximately 6.8% from 2024 to 2030. This





Top 10 Relay supplier China Products Compare 2025

Are you in the market for high-quality relays but feeling overwhelmed by the options? You're not alone! With countless factories in China, finding the right supplier can be a daunting task. Understanding the

Top 10 General Purpose Relay Manufacturers

Discover the top 10 general purpose relay manufacturers worldwide. Compare leading brands like Siemens, LETOP, Omron IA, and Lovato Electric.



Top 10 Relay China

Looking to source quality relays from China? Choosing the right factory can make all the difference! By comparing the top manufacturers, you'll uncover the best options that ensure reliability and

Protective Relay Market Size, Share, and Trends Analysis 2032

The global Protective Relay market size was estimated at USD 5.14 Billion in 2024 and is estimated to grow at a CAGR of 6.35% from 2025 to 2032.



Top 10 Power relay manufacturers in the World 2025

Are you curious about which power relay manufacturers stand out in today's market? Understanding the top factories is crucial for making informed decisions.



25 Power Relay Manufacturers in 2026

This section provides an overview for power relays as well as their applications and principles. Also, please take a look at the list of 25 power relay manufacturers



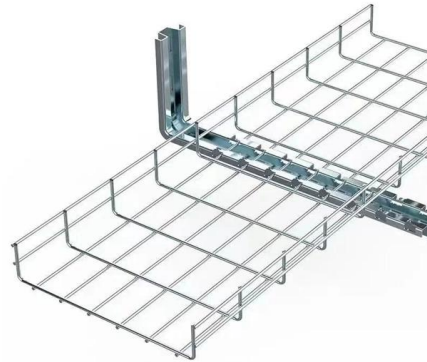
Protection relay

Find your protection relay easily amongst the 565 products from the leading brands (Littelfuse, Sensata, FRER,) on DirectIndustry, the industry specialist for your



Asia Pacific (APAC) Protective Relay Market , Size 2031

The Asia Pacific (APAC) Protective Relay Market is driven by increasing demand for energy, rapid industrialization and growing power utility projects.



Power protection relay

Find your power protection relay easily amongst the 61 products from the leading brands (Littelfuse, FANOX, Jinhong,) on DirectIndustry, the industry specialist



Protective Relay Market Size, Share & Trends Report,

Protective Relay Market Summary The global protective relay market size was estimated at USD 3.22 billion in 2022 and is projected to reach USD 5.09 billion



Contact Us

For datasheets, pricing, or custom telecom energy solutions, please visit:
<https://koskolong.co.za>