



Adam Tas Corridor Energy

Bahrain Export Modular Energy Storage Unit 220V CIF Price





Bahrain Export Modular Energy Storage Unit 220V CIF Price

BAHRAIN SEAPORT ENERGY STORAGE , FTMRS SOLAR



FTMRS SOLAR specializes in photovoltaic power generation, solar energy systems, lithium battery storage, photovoltaic containers, BESS systems, commercial storage, industrial storage, PV

Bahrain Trade , WITS

Access Bahrain's trade profile. Data includes annual and monthly exports and imports, tariffs, foreign direct investment (FDI), global value chain (GVC) participation, and the Services Policy



MENA Solar and Renewable Energy Report

As the unit rate for solar energy investment is reducing year-on-year, a decrease in capital does not represent a slowdown in the industry (Figure 2). Instead, this indicates the price decline in renewable

ENERGY STORAGE BAHRAIN

Bahrain grid-side energy storage vehicle
"Bahrain still relies heavily on fossil fuel sources for its transportation as well as utilities," Mr



Gazder noted in the study published in the Green and Low



Cost of energy storage systems Bahrain

We provide important information on all the upcoming/announced grid-scale/utility scale energy storage system (ESS) projects in Bahrain, including project requirements, timelines, budgets,

Cost of energy storage systems Bahrain

Is electricity storage an economic solution? Electricity storage is currently an economic solution of-grid in solar home systems and mini-grids where it can also increase the fraction of renewable energy in the



Bahrain Energy Market Report , Energy Market

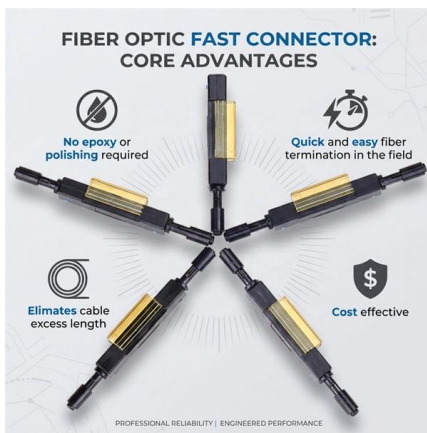
The Bahrain energy market data since 1990 and up to 2023 is included in the Excel file accompanying the Bahrain country report. It showcases the historical





Bahrain Residential Electricity Tariff 2025 , PDF

The document outlines the electricity and water tariffs for various customer categories in Bahrain, detailing consumption units and charges. For electricity,



Bahrain Energy Storage Battery Wholesalers: Key Trends and

Summary: Bahrain's growing renewable energy sector is driving demand for high-quality energy storage batteries. This article explores market trends, applications, and how to identify reliable wholesalers

BAHRAIN SOLAR ENERGY STORAGE UNIT PRICE

Battery energy storage system (BESS) costs have plummeted to Rs 2.1 per unit from Rs 10.18 per unit, as reported to Parliament. The government is actively promoting affordability through



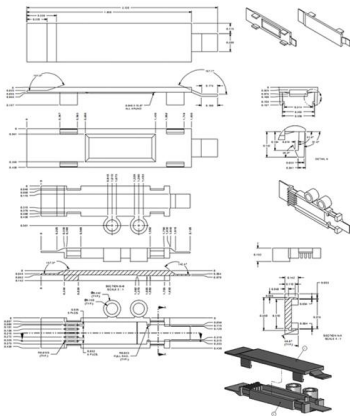
Siemens Energy bags \$127mn major substation contract

Siemens Energy has secured a contract worth 48.1 million Bahraini dinars (\$127 million) from Bahrain's Electricity and Water Authority (EWA) to build



Bahrain Energy Storage System Market (2025-2031) , Trends, Outlook

Using weighted trade values from 2020-2024 as the base period to project country-to-country export potential for 2030, these inputs are operationalized through calculated drivers such as gravity model



BAHRAIN PORTS TARIFF 2023

1 APPLICATION Save as otherwise specifically provided herein, the following Bahrain Ports Tariff 2023 (hereinafter referred to as "Tariff") shall apply to all non-military related Port

Understanding Energy Storage Equipment Costs in Manama: A 2024

As Bahrain accelerates its renewable energy transition, businesses and homeowners in Manama increasingly ask: "What's the real cost of energy storage systems?" This article breaks down pricing





Bahrain Industrial and Commercial Energy Storage Solutions:

Summary: Bahrain's industrial and commercial sectors are embracing advanced energy storage systems to reduce costs, stabilize power grids, and support renewable integration. This article explores the

Powering Bahrain's Future: Lithium Battery Energy Storage Solutions

Why Bahrain's Energy Market Needs Smart Storage Solutions It's 45°C in Manama, air conditioners are working overtime, and solar panels sit idle after sunset. This energy seesaw is



Bahrain Energy Storage Systems Market

Bahrain Energy Storage Systems Market valued at USD 160 million, driven by renewable energy integration, government initiatives, and grid stability needs for sustainable growth.

Energy Storage System Price: Impact of Logistics & Tariffs

This in-depth analysis will provide a professional-grade examination of how global logistics costs and import tariffs directly impact the final energy storage system price.



Bahrain Energy Statistics

Energy production and consumption from nuclear and renewable sources vs non-renewable fossil fuel sources: petroleum and other liquids, natural gas, and coal in Bahrain.

Bahrain Energy Storage Systems Market

In future, the energy storage capacity in Bahrain is expected to increase by 300 MW, enabling better load management and enhancing grid stability, which is crucial for integrating renewable energy



Bahrain Electricity Market Report

AFRY's electricity market report for Bahrain contains: - Market background: Examination of relevant policies, regulations, and their impact on market trends - Market projections: Detailed assessments



Tariffs

This page provides detailed information concerning the electricity and water tariffs in the Kingdom of Bahrain, including consumption bands, costs,



Bahrain Energy Storage Systems Market

The Bahrain Energy Storage Systems Market is valued at USD 160 million, based on a five-year historical analysis, reflecting Bahrain's inclusion in the fast-growing GCC and Middle East

Understanding the Cost of Energy Storage Equipment in Bahrain

Understanding the Cost of Storage Equipment in Bahrain Energy option, the demand for *energy storage equipment* as surged. But how much does it cost to deploy these systems? Let's break down



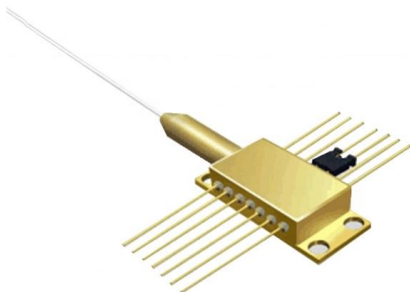
Manama Energy Storage: Powering Bahrain's Future with Innovation

Why Energy Storage in Manama Matters More Than Ever Ever wondered how a small nation like Bahrain is making big waves in the global energy storage scene? As the sun beats down



Understanding the Cost of Energy Storage Equipment in Bahrain

As Bahrain accelerates its renewable energy adoption, the demand for energy storage equipment has surged. But how much does it cost to deploy these systems? Let's break down the factors influencing



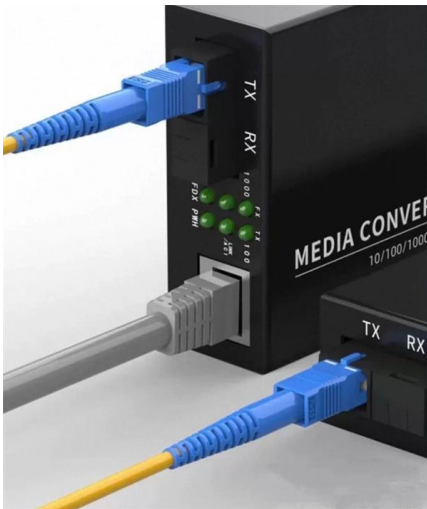
BUSINESS BUILDING ENERGY STORAGE BAHRAIN

Bahrain container photovoltaic energy storage project APM Terminals Bahrain, operator of Bahrain's main container gateway, Khalifa Bin Salman Port (KBSP), has officially announced the launch of a

Bahrain Ongoing Battery Energy Storage System (BESS) Projects

Search all the ongoing (work-in-progress) battery energy storage system (BESS) projects, bids, RFPs, ICBs, tenders, government contracts, and awards in Bahrain with our comprehensive online database.





Bahrain electricity prices

The residential electricity price in Bahrain is BHD 0.000 per kWh or USD . These retail prices were collected in September 2025 and include the cost of power, distribution and transmission, and all

Contact Us

For datasheets, pricing, or custom telecom energy solutions, please visit:
<https://koskolong.co.za>