



Adam Tas Corridor Energy

Bangladesh Relay Protection Certificate

Length:17.0mm

Small-end inner diameter:3.1mm

Large-end inner diameter:3.6mm





Bangladesh Relay Protection Certificate



Relay Testing Service in Bangladesh

With professional Relay Testing Service in Bangladesh from Pico Labs Ltd., you can ensure your electrical systems operate safely, efficiently, and in compliance with industry standards.

{{ \$pageCtrl.pageData.baseTitle }}

Explore SEL University courses to enhance your knowledge in power system protection, automation, and control with hands-on training and expert guidance.



Electrical Installations Certification , SGS Bangladesh

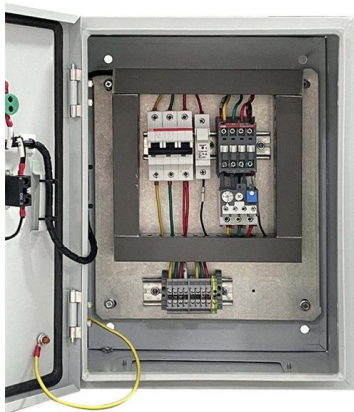
Electrical installations certification from SGS - helps you comply with national and international standards and ensure the reliable operation of your facilities.

Electrical Wiring Certification Company in Bangladesh

Electrical wiring certification is a necessary step in the electrical installation process. By



completing an electrical wiring certification from Ems Engineering



Impact of Large 132/33 kV Power Transformer on Distance Protection

Abstract--To meet the rapid load increasing in Bangladesh, the government incorporates large power transformers (132/33kV, 80/120MVA) to serve the demand. Due to their low equivalent impedance, it

Protection Relay Origin Certificate

Protection Relay Origin Certificate This document is a manufacturer's origin and source certificate from a company confirming that the protection relays and



Relay Archives

Quick View Relay Wieland SNO 2004K AC/DC24V Safety relay R1.188.0410.3 Quick View Relay Carlo Gavazzi Thermistor Motor Protection Relay DTA01C230 Quick View Relay Honeywell PCR-2C-T



Skills for Africa -Smart Power Systems Protection: Adaptive Relaying

This training course equips participants with cutting-edge expertise in smart protection architectures, AI-enabled fault detection, advanced relaying schemes, and predictive protection analytics.



Power System Protection Training Course

By joining this Power System Protection Training Course, participants gain the technical insight needed to interpret relay characteristics, design appropriate

CB Certificate , BD , TÜV Rheinland

A CB certificate makes it easier to export medical electrical devices to international markets. TÜV Rheinland supports you as a competent partner throughout the entire CB procedure.



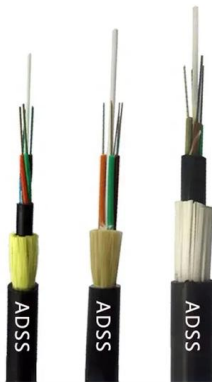
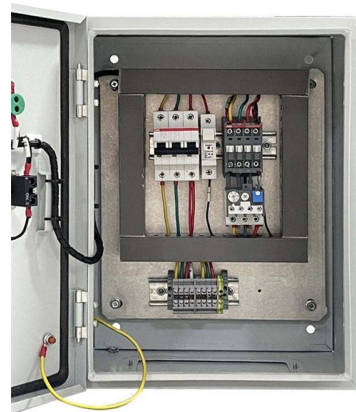
PROTECTIVE RELAY TESTING

A comprehensive testing program should simulate fault and normal operating conditions of the relay. Acceptance testing, commissioning, and startup will include control power tests, current transformer



CHAPTER 3 Air-conditioning, Heating and Ventilation

3.1.5.2 All electrical work in connection with air-conditioning, heating and ventilation system shall be carried out in accordance with the provisions of latest Bangladesh Electricity Act and



Power System Protective Relay Course

Master protective relaying principles faults, system earthing, and overcurrent protection. Enroll in our 2-day Power System Protective Relay course today!

skillsforafrica

Hier sollte eine Beschreibung angezeigt werden, diese Seite lässt dies jedoch nicht zu.



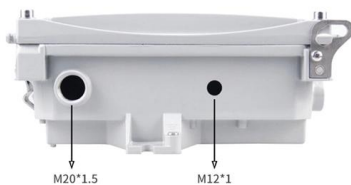


Protection Relay Testing and Commissioning

The testing and verification of protection devices and arrangements introduces a number of issues. This happens because the main function of protection devices is related to operation under fault

Protection Relay

V265 Complete differential protection relay for transformers, generator and motors - Schneider
?340,000 ?281,500.00 -35%



Protective Relays Training Course

This course covers basic relay operating principles for various types of protective relays providing workers great insight to the importance of relaying for system protection.

Protective Relay Training - Basic Power System Protection

Protective Relay Training - Basic Protective relay training offers an overview of power system protection, relay schemes, digital and electromechanical relays, fault





Relays & Contactors Price in Bangladesh ,



Buy Relays & Contactors with Best Price in Techno power Bangladesh.

Power System Protective Relays: Principles & Practices

Protective relays and devices have been developed over 100 years ago to provide "lastline"of defense for the electrical systems. They are intended to quickly identify a fault and isolate it so the balance of



Protection Device, Motor Protector, Fuse, Circuit Breaker, Overload

Protection Device, Motor Protector, Fuse, Circuit Breaker, Overload Relay Best Price In Dhaka Bangladesh . Contact : 01788844813 bd engineering



Electrical Installations Certification , SGS Bangladesh

Our electrical installations certification services help you to fulfill wide-ranging national and international standards and regulations. We can also help prevent power failures, ensuring the reliable operation

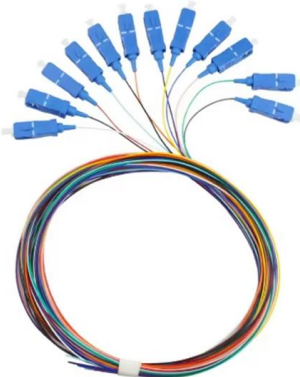
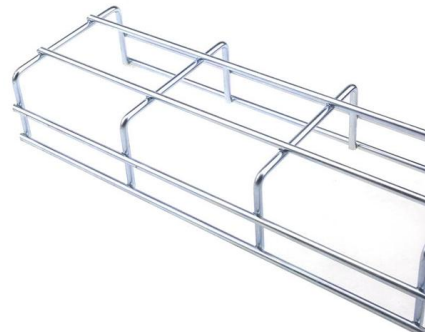


relay price in bangladesh

Buy relay at the best price in Bangladesh. The latest relays are available at CityTech Shop. Order online to get delivery anywhere in BD.

Bangladesh Power Development Board

All Protective relays shall be numerical programmable type and shall comply relevant IEC or equivalent international standard. Contract arrangement of the relays should conform to the requirements of the



Motor Protection Relay Suppliers & Exporters in Bangladesh

96 Motor Protection Relay Suppliers & Exporters in Bangladesh Saad Motors We are manufacturer of good quality LPG storage tanks.



Protection Relay Origin Certificate

This document is a manufacturer's origin and source certificate from a company confirming that the protection relays and annunciators they will supply under a



MORE CASES PRESENTATIONS



Certificate - Protection Relay

The certificate will be provided and sent to your email after the activation of each product on your system.

Bangladesh MV Protection Relay Market (2025-2031) , Trends,

Bangladesh MV Protection Relay Market Overview In the power sector, the market for MV (Medium Voltage) protection relays includes devices designed to protect electrical systems and equipment



Contact Us

For datasheets, pricing, or custom telecom energy solutions, please visit:
<https://koskolong.co.za>