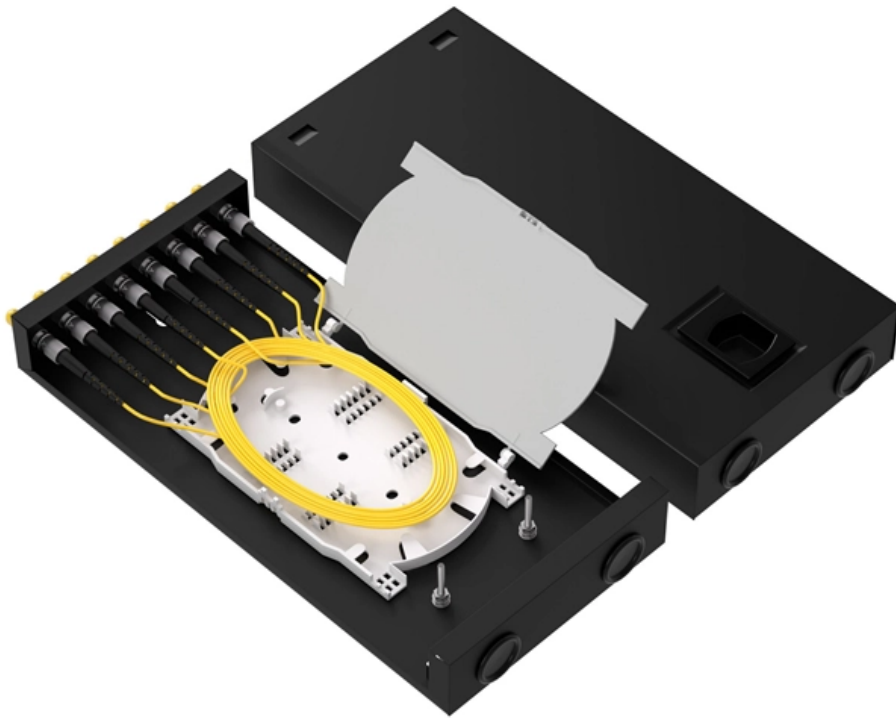




Adam Tas Corridor Energy

Bare Fiber Tail Stripper





Bare Fiber Tail Stripper

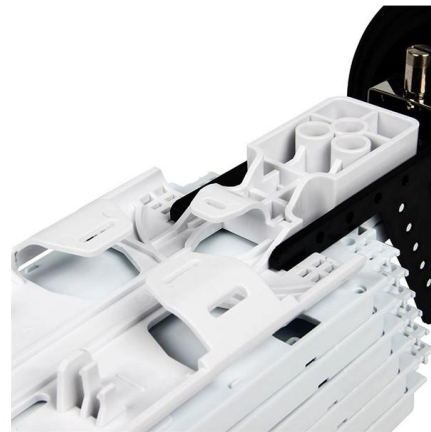


Fiber Optic Stripping Tools - trueCABLE

Accurate cable stripping is the foundation of every successful fiber optic installation. Our fiber optic stripping tools are meticulously designed for clean, consistent

Miller Ripley Stripper FO 103-S

Spec Sheet. For stripping 250um buffer tube coating from 125um optical fiber.



Fiber Optic Termination Tools

These fiber buffer stripping tools provide a quick, easy, and reliable way to remove the buffer from an optical fiber in preparation for connectorization. A fiber guide

Heavy Duty Bench Mount Tail Stripper , Cumberland

This tool will speed up your fur processing. You insert the base of the tail, then you push down



the handle and the tail bone is removed quickly and easily.



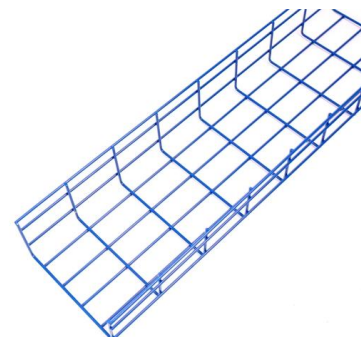
Montgomery Furs , Fur Handling , Tail Supplies

Aluminum Tail Stripper - Aluminum Tail Stripper - Makes tail stripping simple and easy. Will last a lifetime. Made of dye-cast aluminum. Pulls tail skin off easy. \$9.95 / each Order it Here Heavy Duty



Tutorial Passive Fiber Optics, Part 13: Fiber Accessories

Tutorial on passive fiber optics. Part 13 discusses fiber accessories and tools for stripping, cleaving and splicing of fibers, fiber connectors, adapters and



Fiber Optics Stripping, Cleaving, Splicing, Recoating,

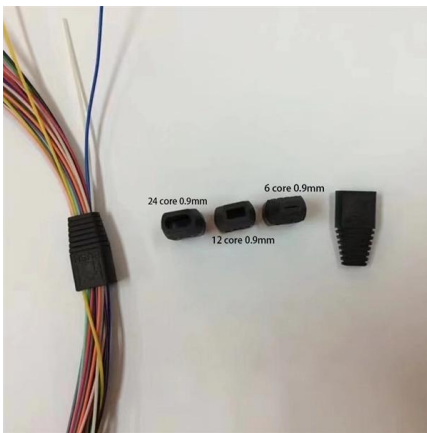
The proven Burst Technology(TM) method instantly vaporizes the fiber coating. The result is a clean, stripped fiber at substantially higher strength than any





Fiber Optic Strippers , Fiber Termination Tools

©2025 Newport Corporation. All rights reserved.

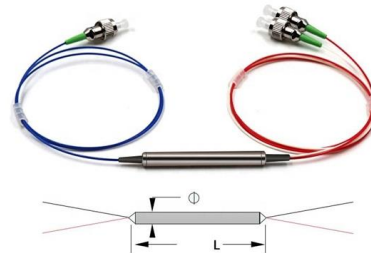


Tail Stripper & Tail splitter Heavy Duty raw fur handling

You get one heavy duty aluminum tail stripper and one heavy duty plastic tail splitter. These tools make short work of removing the tail bone and

Tail Stripper-Standard Plastic , SCHEELS

This rugged plastic tail stripper works great for pulling the bone out of the fur. This a well made stripper and it works great. I've used t



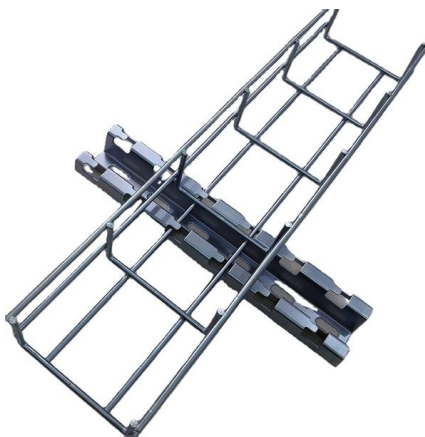
Fiber Stripping Tools

Trusted since 1958, Jonard's Fiber Stripping Tool is a must-have for all fiber technicians. Shop Jonard's popular collection of fiber optic cable stripper and



Stripping Techniques For Your Fiber Optic Cable

Good fiber optic stripping techniques in your cable assembly process are crucial. See best practices for how to strip fiber optic cable buffers & jackets.

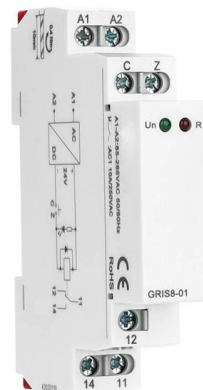


Lifetime Steel Tail Stripper - IronTrail Trapline Supply, LLC

The metal Lifetime Tail Stripper has 3 openings for versatility in handling many different animals Such as Coyote, Fox, Mink, Raccoon, Skunk just to name a few.

How to use a tail stripper

Having the tail whole and intact sure gives your finished hide a nice look. Its fairly simple to get the tail out whole, by using either a pair of pliers or a tail stripper.





Webit Cabling

Fiber Strippers - tools, mechanical, thermal, chemical,

Fiber strippers are precision tools that reliably and cleanly remove a defined length of coating (often 30-40 mm) from a fiber end so that the bare glass is exposed

Redneck Convent Tail Zipper and Tail Stripper 2 Pc

About the Redneck Convent Tail Zipper and Tail Stripper Tool Add the Redneck Convent Tail Zipper and Tail Stripper - 2 Piece Fur Handling Kit to your fur tanning kits for quick and easy tail



COMPTYCO Straight Plate Fiber Thermal Stripping Pliers AUA-M9

COMPTYCO AUA-M9 fiber thermal stripping pliers can quickly melt and remove the plastic sheath on the outside of the fiber without damaging the internal fiber core.

HD Bench Mount Tail Stripper , Funke Trap Tags

The Heavy Duty Bench Mount Tail Stripper is excellent for high volume fur processing. Simply insert base of tail and then push down on the handle to pull



NetPeppers Fiber Optic Stripper

The fiber optic stripper is a precisely manufactured tool for stripping fiber optic primary coatings up to 250 μm from bare fiber with 125 μm . The



Tail Strippers & Splitters

HTS is a complete trapline outfitter dedicated to carrying quality lures, baits, urines, traps, and equipment.



Metal Tail Stripper , Northern Sport Co.

Make short work of your catch with this Heavy Duty Metal Tail Stripper. If you're putting up your own fur this handy stripping tool is a must have tool. Simple





NetPeppers Fiber Optic Stripper

The fiber optic stripper is a precisely manufactured tool for stripping



Cold Creek Aluminum Tail Stripper - CCC Outdoor Sales

Useful fur handling tool for stripping the tails of smaller animals. Very Light weight and easy to use. Use by holding aluminum stripper in one hand and pull while

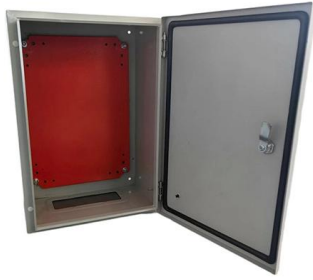
Wildlife Control Supplies: WCS(TM) Tail Stripper

The WCS Tail Stripper is an effective and easy to use fur handling tool. Place the tail bone through the opening in the stripper and with a firm grasp, let the tail stripper



AuSable® Brand Aluminum Tail Stripper Made in the USA

Tough and lightweight aluminum construction. Has two holes to handle all sizes of tail bones. Work great for pulling the tail bone on mink, raccoon, fox, coyote, marten and fisher, a must have in the fur shed.



Duke Traps Metal Tail Stripper

The Duke Traps Metal Tail Stripper is an essential tool for stripping tail bones from tails for fur preparation or taxidermy. Place stripper around the tail bone and



Pete Rickard Tail Stripper

This makes preserving the brush virtually impossible as you can't get to the flesh inside the tail. With the tail stripper, you can remove just the skin and leave the flesh and bone behind



Contact Us

For datasheets, pricing, or custom telecom energy solutions, please visit:
<https://koskolong.co.za>