



Adam Tas Corridor Energy

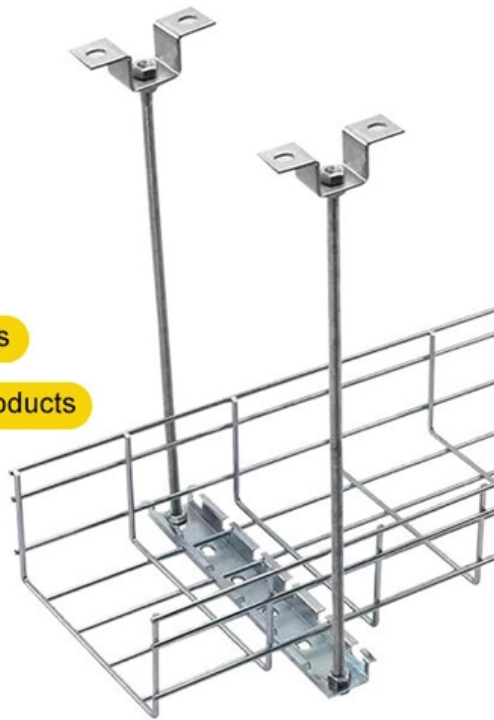
Base station outgoing optical cable

STAINLESS STEEL WIRE MESH

Long-lasting and durable

Comprehensive specifications

Customized non-standard products





Base station outgoing optical cable

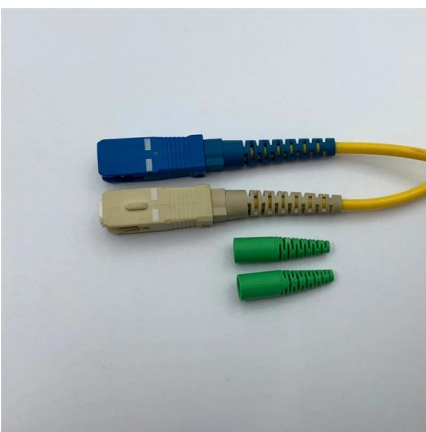
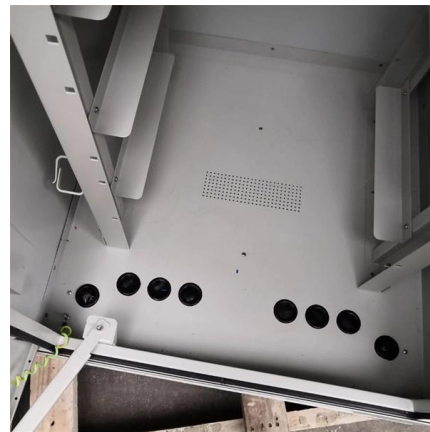


GIGALIGHT Launches Hardened Active Optical Cable (HAOC) for 5G Base

Shenzhen, China, January 4, 2022 - GIGALIGHT has announced to launch a series of Hardened Active Optical Cable (HAOC) products suitable for outdoor 5G base stations.

30Meters, ST to ST Outdoor Base Station LSZH Optical Fiber Cable

The base station field remote optical cable is used in the communication between base stations and the metal-free optical cable that is quickly wired or repeatedly retracted in the complex environment of



Optimal Positioning of Ground Base Stations in Free-Space Optical

Free-space optics (FSO) based on laser light is a recent technology for providing HST communications. This technology is already adopted for providing point-to-point data communications in stationary

How does an Optical Distribution Frame Work?

At its core, an ODF is a station that organises incoming and outgoing fiber optic cables. It



simplifies the process of connecting and disconnecting cables



Sectorised base stations for FSO ground-to-train

Evolution and accessibility of smart-phones have led to a huge demand in network bandwidth. The ubiquitous use of smart-phones in high-speed trains



DLC/PDLC/CPRI Base Station Cable Fiber Optic Patchcord

PDLC (Armored Waterproof) base station patch cord has become a standard interface for 3G, 4G, and wireless base station remote radio, fiber to antenna, and other fields.



Maximizing Connectivity with base station cable from Weichuang Optics

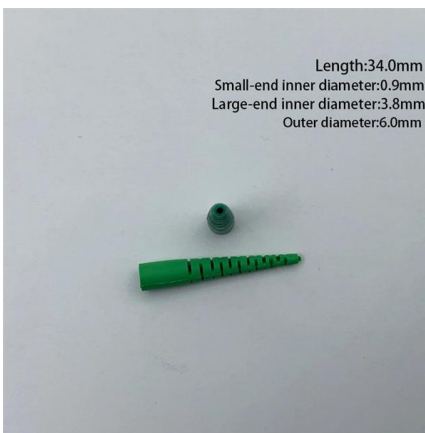
Our lineup includes micro distribution cables, base station cables, and outdoor FTTH drop cables, all designed to ensure reliable data transmission for your networking needs.





BASE-U-4 Optic USB Base Station

The Universal Optic USB Base Station and couplers are used to offload data from any HOBO® data logger with an Optic USB interface. The splash-resistant Optic



Optical Cables for Base Station & Towers

Optical Cables for Base Station & Towers TIGHT BUFFERED OPTICAL CABLE - RISER CABLE
Several 900mm tight buffered fibres (depending upon customer requirement) are housed and

Fiber Optic Transceivers in Basestation Applications

Base station transceivers with greater bandwidth are in demand. Fiber optic links give cost effective, high bandwidth new capacity with more flexibility than copper links.



5G NR : High Speed & Optical Cable at the Base Station

5G NR (High Speed & Optical Cable at the Base Station) In conventional RAN (Radio Access Network), the base-band unit (BBU) is located



Optimal Positioning of Ground Base Stations in Free-Space Optical

In this paper, we propose two different free-space-optics (FSO) coverage models for next-generation high-speed-train communications. To the best of our knowledge, these are the first



Baseband Units and Optical Transport , TE Connectivity

Our base station and optical transport connectivity solutions address the demands of the always-on edge of expanding wireless infrastructure.

Do you know how optical modules are used in base

The communication triangle tower must be familiar to everyone. In this article, ETU-LINK will introduce the base station under the communication triangle tower and





how optical modules are used in base stations?

The transmission carriers connecting BBU and RRU devices are optical modules and optical fibers. In 2/3/4G networks, 10Gbps optical modules are generally enough for CPRI interfaces.

Distributed Base Stations Optical Fiber Cable from China

Zion Communication provides high-performance optical fiber cables for distributed base stations, ensuring low loss, high durability, and superior transmission quality.



OPTICAL CABLES FOR DISTRIBUTED BASE STATIONS , FTMRs

Where is Haifa power station? Haifa power station (???? ???? ????) is an operating power station of at least 1022-megawatts (MW) in Haifa, Israel. The map below shows the exact location of the power

Base Station Cable OEM , FiberMania Technology

Base Station Cables are specially designed for connecting equipment in telecom base stations, ensuring stable, high-speed optical transmission even in demanding environments. FiberMania manufactures



Incab America LLC: Fiber Optic Cable Manufacturers & Company

Hier sollte eine Beschreibung angezeigt werden, diese Seite lässt dies jedoch nicht zu.

Which Optical Modules Are Commonly Used In 4G Base

In this blog,ETU-LINK will talk about 4G base stations and common types of optical modules. The base station can be divided into two modules: the RRU for



- IP65/IP55 OUTDOOR CABINET
- ALUMINUM
- OUTDOOR ENERGY STORAGE CABINET
- OUTDOOR EQUIPMENT CABINET

Base Station Cable OEM , FiberMania Technology

With scalable production, strict quality control, and dependable delivery, FiberMania delivers base station cables that meet the performance requirements of modern 4G and 5G telecom infrastructures.



GIGALIGHT Launches Hardened Active Optical Cable (HAOC) for 5G

GIGALIGHT's HAOC can be used for the data transmission in the base station and for the coordinated transmission between the base station group, and can also be used for edge data



CPRI Interfaces for 4G & 5G Base Stations

CPRI Fibre Optic & wireless links for 4G / LTE & 5G networks explained: Connecting Base Station Remote Radio Heads (RRH) with line rates up to 25Gbps

Optical Cables for Distributed Base Stations-YOFC , Smart Link Better

Optical cable indoor and outdoor hybrid optical and electrical function for Distributed Base Stations.



Base Station Cable

Ipex 4 Generation to Ipex1 Generation Base Station Transfer Cable Gyfjh Round Far Transmission Fiber Optic Cable, FttA/Rrh Optical Fiber Cable, Optical Cable Used in Wireless Base Station Cabling



OPTICAL CABLES FOR DISTRIBUTED BASE STATIONS , FTMRS

FTMRS SOLAR specializes in photovoltaic power generation, solar energy systems, lithium battery storage, photovoltaic containers, BESS systems, commercial storage, industrial storage, PV

Ordering information

MO	1	2	3	4	5	6
Model	SP-201	SP-202	SP-203	SP-204	SP-205	SP-206
Product name	SP-201-100M	SP-202-100M	SP-203-100M	SP-204-100M	SP-205-100M	SP-206-100M
Illustration						
PL	1	2	4	1	2	4
Maximum number of ports	144	288	576	144	288	576
Product size (including module and adaptor)	482.0*160*74 mm	482.0*160*78.1 mm	482.0*160*77 mm	482.0*160*74 mm	482.0*160*78.1 mm	482.0*160*77 mm
Standard color code	9AL9005	9AL9005	9AL9005	9AL9005	9AL9005	9AL9005
Inventory	2	2	2	2	2	2



Optic USB Base Station BASE-U-4 , Onset's HOBO

A splash-resistant base station and couplers used to offload data from any HOBO data logger with an Optic USB interface. The base station connects to your

Optical Cables for Base Station & Towers

Cable is designed to provide a solution that combines Power and Optical Communications into one system, eliminating the hassles and extra expense associated with powering typical low-power





Contact Us

For datasheets, pricing, or custom telecom energy solutions, please visit:
<https://koskolong.co.za>