



Adam Tas Corridor Energy

Burkina Faso 1 6T Optical Module 40G

Length:17.0mm

Small-end inner diameter:2.05mm

Large-end inner diameter:3.6mm





Burkina Faso 1.6T Optical Module 40G



Arista Optics Modules and Cables

All interface speeds, from 1G to 400GE have connectivity options that include Direct Attach copper Cables (DACs), Active Optical Cables (AOCs), multi-mode fiber and single-mode fiber transceivers.

FiberMall's 1.6T Optical Module Roadmap

For 102.T switching capacity, 1.6T optical modules are required, and the optical port needs to reach 200G per wavelength rate, which is expected to enter the industrial node in 2025.



1.6 Tbps Optical Modules

MACOM delivers industry widest portfolio of chip-sets for 1.6Tbps DR8 and 2xFR4 as well as 800Gbps DR4/FR4 optical modules and co-packaged optics. These devices are used with EML lasers, Silicon

1.6T Transceivers Explained: Advantages, Types & FS

This article explains how this new 1.6T rate emerged, what the technical principles and key

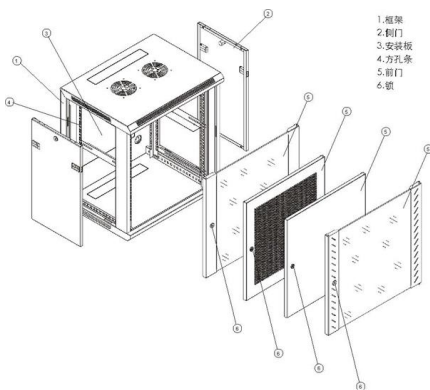


features of 1.6T optical modules are, the major



Wholesale Optical Transceivers Module , 100G

Shop high-speed optical transceivers from Unitekfiber. We offer 100% compatible 40G, 100G, and 400G QSFP-DD modules for data centers. Expert technical



Charting the Path Toward 1.6T and 3.2T Optical Module

This architecture is similar to that of the 800G 2 x FR4, but this solution features eight high-speed MZMs operating at 200 Gbps, simplifying the design of 1.6T



1.6T Optical Module Market Research Report 2033

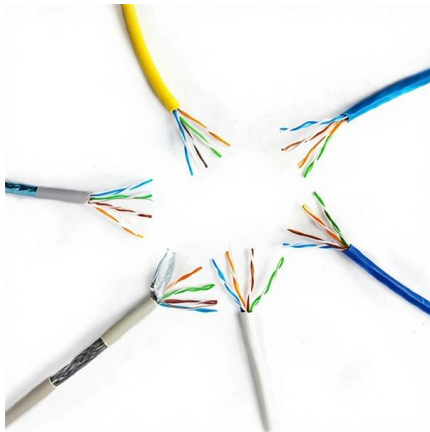
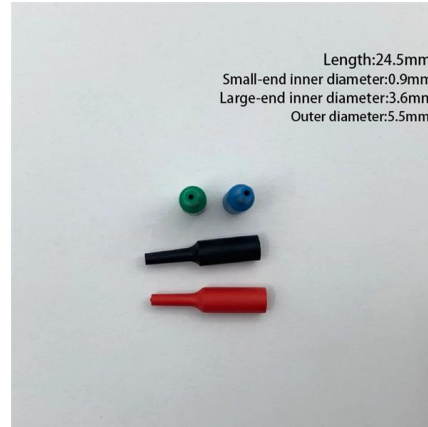
The integration of coherent optics not only enhances the performance of 1.6T optical modules but also reduces the overall cost per bit, making them a cost-effective solution for operators aiming to





1.6T 2xFR4 OSFP PAM4 Optical Transceiver

Optical Transceivers for data communications applications. The high bandwidth module supports dual 800G Ethernet or InfiniBand connections, or a single 1.6T Ethernet or InfiniBand connection



The Evolution of Optical Modules: 400G -> 800G -> 1.6T - A Strategic

Discover the evolution from 400G to 800G and 1.6T optical modules. Learn key technologies, CPO vs pluggable, and upgrade strategies for future-ready data centers.

100G to 1.6T Optical Module PHY Product Selection Guide

Broadcom's Active Copper PHY portfolio enables DAC cable providers to build very low insertion-loss profile, ultra-low latency, ultra-low power cables for 100G/400G/800G/1.6T hyperscale/AI networks



Contact Us

For datasheets, pricing, or custom telecom energy solutions, please visit:
<https://koskolong.co.za>