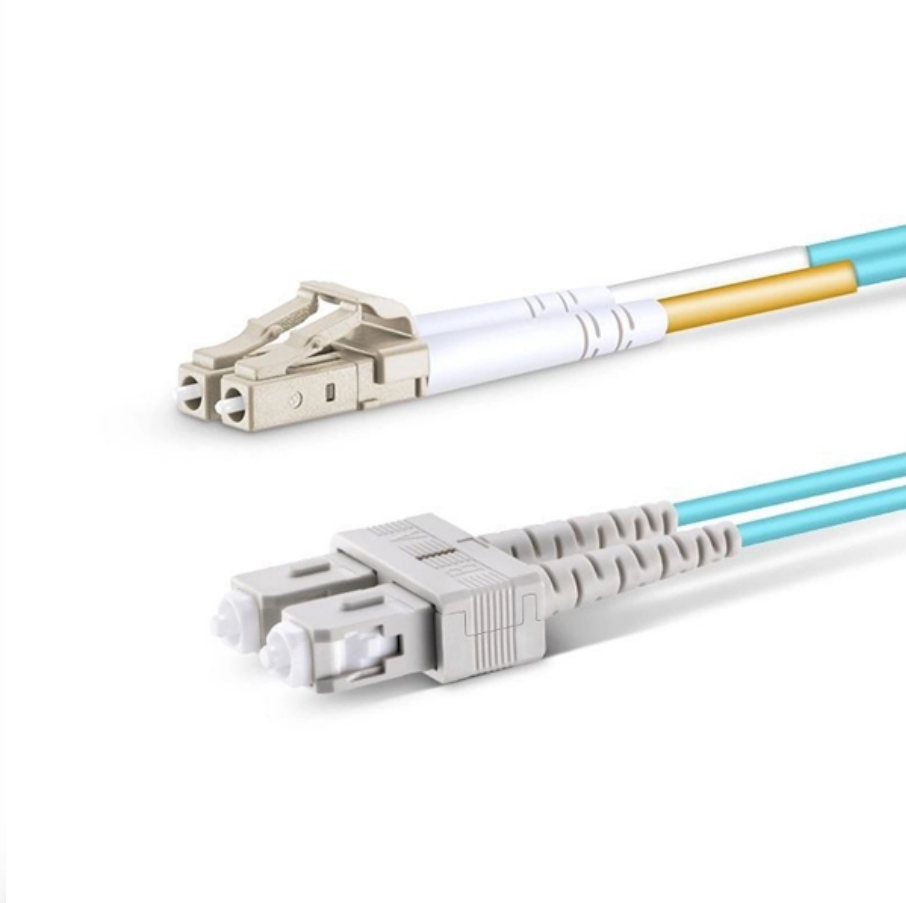




Adam Tas Corridor Energy

Burkina Faso Export Price of 48V Intelligent Energy Storage Cabinet CIF





Burkina Faso Export Price of 48V Intelligent Energy Storage Cabinet

Ouagadougou Distributed Energy Storage Cabinet Factory Price:



Discover how distributed energy storage cabinets are powering sustainable development across West Africa. This guide explores factory pricing factors, technical specifications, and why Ouagadougou is

Burkina Faso Energy Storage System Price: Trends, Solutions & Cost

Summary: This article explores the current pricing landscape of energy storage systems in Burkina Faso, analyzes key cost drivers like solar integration and battery technology, and provides actionable



Annuaire d'Entreprises , Chambre de Commerce et de l'Industrie

Consciente de ce besoin, la Chambre de Commerce et d'Industrie du Burkina Faso (CCI-BF), dans le cadre de sa mission d'information économique et de communication, a mis en place un fichier

Burkina Faso Energy Storage Market (2025-2031) , Outlook & Industry

Market Forecast By Type (Pumped-Hydro Storage, Battery Energy Storage Systems,



Others), By Application (Residential, Commercial, Industrial) And Competitive Landscape Report Description



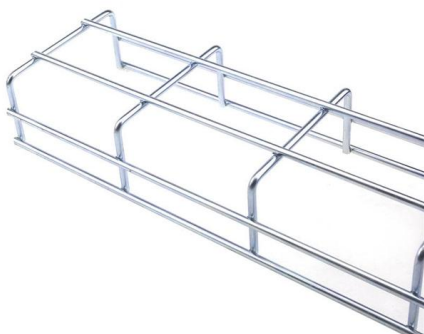
? Electricity in Burkina Faso

In 2020, Burkina Faso exported \$27 of Electricity, making it the 97th largest exporter of Electricity (out of 99) in the world. During the same year, Electricity were the 620th most exported product (out of 637)



BURKINA FASO: a EUR45m Chinese loan for the Donsin

Burkina Faso's transitional parliament has approved a conventional loan agreement worth EUR45.7 million from the Export-Import Bank of China. The



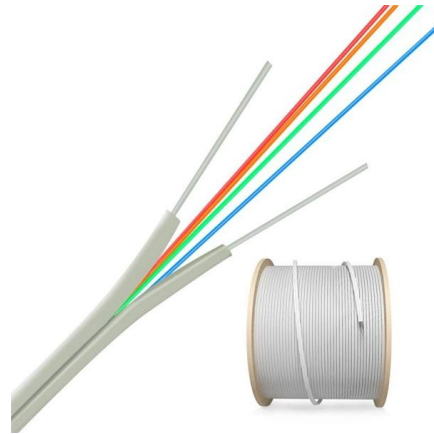
Burkina Faso retenders two large solar-storage IPPs

International bidders have again been requested to submit prequalification documents for Burkina Faso's 75MWp/75MWh Konéan and



Burkina Faso station-type energy storage system price

Recent pricing trends show standard industrial systems (1-2MWh) starting at \$330,000 and large-scale systems (3-6MWh) from \$600,000, with volume discounts available for enterprise orders. Summary:

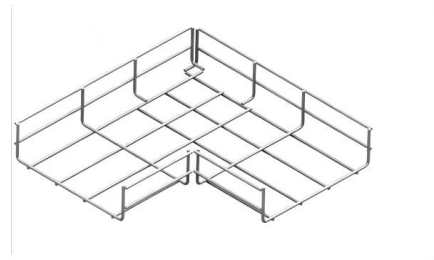


Burkina Faso

Burkina Faso was the world's 124th largest exporter of goods and 139th largest exporter of commercial services in 2022. Export values were \$4.52 billion and

Climatescope 2025 , Burkina Faso

Climatescope is an online market assessment tool, report and index that evaluates individual emerging markets' readiness to put energy transition investment to work.



Burkina Faso Container Energy Storage Lithium

Summary: This article explores the current pricing landscape of energy storage systems in Burkina Faso, analyzes key cost drivers like solar integration and battery technology, and provides actionable



Burkina Faso Could Boost Renewable Energy Mix with Battery Storage

IFC's engagement has provided Burkina Faso's government with insights on developing private sector-backed battery storage in Burkina Faso, contributing to national ambitions and policies



NEW ENERGY STORAGE SOLUTIONS IN BURKINA FASO X2026

The overseas market of the energy storage industry is growing rapidly, and it is of great significance for energy storage to go overseas to enhance brand value.

Burkina Faso Container Energy Storage Cabinet Brand

How much does the energy storage battery cost in Burkina Faso The average price for solar-powered battery systems ranges between \$450-\$1,200/kWh, influenced by: "A 10kWh lithium-ion system in





Burkina Faso seeks developers for two large solar

Ouagadougou has invited international bidders to submit prequalification documents for two greenfield, solar storage projects, backed by

European Union, Trade in goods with Burkina Faso

European Union, Trade with Burkina Faso Key Figures Imports / Exports 2024 - AMA/NAMA product Groups - SITC product Groups



Ranking of photovoltaic energy storage ring network cabinet

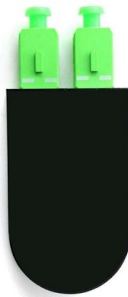
PV How many energy storage and solar inverter manufacturers are there? facturers,30 solar inverter manufacturers,and 70 PV module manufacturers. These reports allow you to compare

Burkina Faso container energy storage prices

Burkina Faso faces acute energy challenges: only 21% of its rural population has access to electricity, while cities struggle with frequent blackouts. Container energy storage systems (ESS) offer a



2. Imported design is convenient for expansion.
The design of two inlets saves space and allows for rear line entry.



List of ouagadougou power storage equipment companies

In 2019, among new operational electrochemical energy storage projects in China, the top 10 providers in terms of installed capacity were CATL, Hige Energy, Guoxuan High-Tech, EVE

Burkina Faso Energy Storage Solutions Market (2025-2031)

Burkina Faso continued to rely on energy storage solutions imports in 2024, with top exporters being China, UAE, France, Vietnam, and India. The high Herfindahl-Hirschman Index (HHI) indicates a



Burkina faso cabinet solar energy storage cabinet prices

Recent pricing trends show standard industrial systems (50kW-1MW) starting at \$75,000 and large-scale energy storage (1MW-10MW) from \$500,000, with flexible financing options including





Burkina faso dc screen battery cabinet price , ICEENG CABINET

Burkina Faso Electrical Enclosure Cabinet, Stretch Processing Welding and processing are widely used in many industries such as new energy, electrical, photovoltaic, intelligent equipment, furniture,



Burkina Faso Container Energy Storage Cabinet Brand

Summary: This article explores the current pricing landscape of energy storage systems in Burkina Faso, analyzes key cost drivers like solar integration and battery technology, and provides actionable

Latest Ongoing Battery Energy Storage System (BESS) Projects in Burkina

Search all the ongoing (work-in-progress) battery energy storage system (BESS) projects, bids, RFPs, ICBs, tenders, government contracts, and awards in Burkina Faso with our comprehensive online



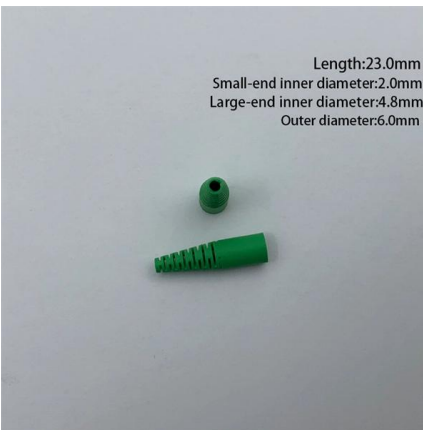
Burkina Faso Pumped Hydroelectric Energy Storage Market (2025

Burkina Faso Pumped Hydroelectric Energy Storage Market (2025-2031) , Outlook, Share, Industry, Pricing Analysis, Restraints, Revenue, Segments, Competition, Analysis, Forecast, Segmentation,



Burkina Faso

Other key agricultural exports include sesame and cashew nuts. Infrastructure bottlenecks in energy, transportation, logistics, and professional skills hinder competitiveness and



Burkina Faso Energy Storage Solutions Market (2025-2031)

Our analysts track relevant industries related to the Burkina Faso Energy Storage Solutions Market, allowing our clients with actionable intelligence and reliable forecasts tailored to emerging regional

Energy storage integration with solar PV for increased electricity

This study presents a techno-economic feasibility analysis of solar PV system integration with conceptualized Pumped Hydro Storage (PHS) and electric batteries for Burkina Faso.





Contact Us

For datasheets, pricing, or custom telecom energy solutions, please visit:
<https://koskolong.co.za>