



Adam Tas Corridor Energy

Cabinet Network Patch Cable Fabrication





Cabinet Network Patch Cable Fabrication



How Patch Panels and Patch Cable Organisers Simplify

How the use of patch panels and patch cable organisers can help to simplify and make data cabling installations safer and more secure in server room

Cable Monkey , The UK's leading supplier of networking

Thousands of products in stock , Next day delivery or same day collection , Premium quality products at low prices for home and business



What is a Patch Panel, and What is It Used For?

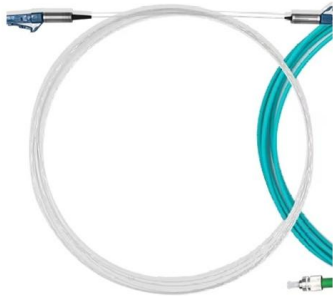
Patch panels simplify cable management, enhance troubleshooting, and provide documentation and traceability for all connected workstations. A

Structured Cabling Patch Panel Setup Guide for Your

A step-by-step guide to structured cabling patch panel setup. Learn best practices to organize



network cables in your data center for peak performance.



PATCHBOX

70% of network issues are caused due to poor cable management. The lack of overview and tangled cables make maintenance difficult. Due to bad airflow

Patch Panels for Network Cable Management

Browse our range of patch panels designed for seamless cable management in server racks, enhancing organization and connectivity.



Network Cabinet Cabling: Guide & Documentation Tips

Practice-oriented guide to network cabinet cabling with documentation template, safety aspects & software tips.



Patch Panels for Server Racks & Data Network Cabinets

We have server cabinet patch panels with 12, 16, 24, 32, and 48 ports from different manufacturers, with the best-selling being 24 ports and 48 ports. Some types,



Understanding and Installing Patch Cables: A Beginner's

The article provides a comprehensive, step-by-step guide about how to install patch cables for indoor systems, right from unpacking to proper

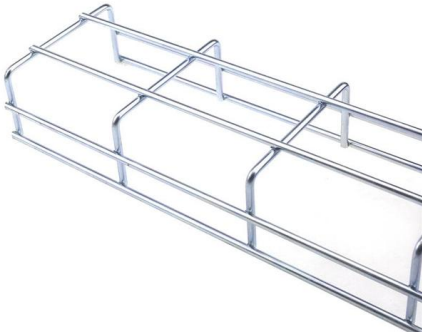
PP-RJ DIN Rail Patch Panels , Field to Control Cabinet

Ethernet patch panels make the connection between field cabling and control cabinet cabling quick and easy. A PP-RJ DIN Rail Patch Panel is ideal for installation inside control panels and distribution



Mastering the Network: A Step-By-Step Guide to DIY

The article explores various types of patch indoor cables for network switches, detailing their features and uses to ensure optimal performance. It



Cable Monkey , The UK's leading supplier of networking

UPS & BACK UPS Network Cable Fibre Leads RJ45 Network Cables Network Patch Panels, Modules & Accessories Computer Hardware, Accessories, KeyBoards &



Commsrack - commsrack .uk

We supply wall mounted patching cabinets and free standing server enclosures, along with a full range of accessories such as PDUs and shelves to the trade and

How to Make a Cat6 Patch Ethernet Cable , Warehouse

Learn how to make a Cat6 patch Ethernet cable with our easy step by step guide through! Shop for cables and gain knowledge about them at Warehouse Cables.





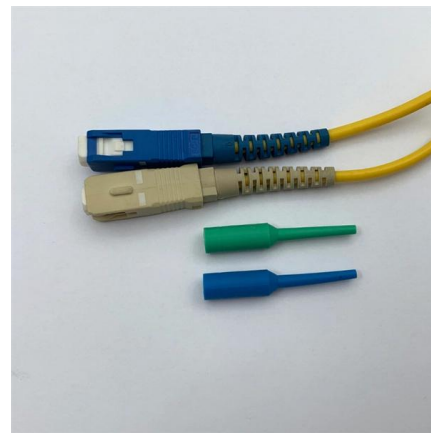
WebiTelecomms Cabling

How To: Dressing Ethernet Cables Into a Patch Panel

In this week's video our Technical Manager, Don Schultz, and Technical Specialist, Dave Harris, give you a quick walkthrough on how to dress your Ethernet ca

Patch Panels: A Complete Guide

Patch Panel Size However, if you are looking to connect a large number of devices, there are plenty of options for expansive patch panel designs.

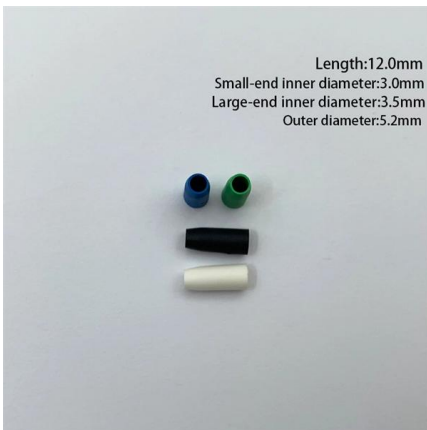
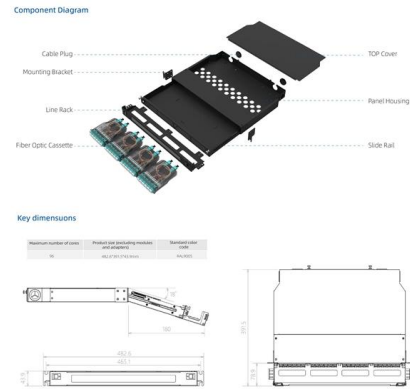


Cat5e Ethernet , Rack/Cabinet Patch Panels , ShowMeCables

ShowMeCables offers a wide variety of Cat5e patch panels. Connect ethernet lines at a rack or cabinet with a handy patch panel. With hundreds on hand, our Cat5e patch panels are ready to ship today.

Enclosure Cable Management

Belden's Zero U Vertical Patching is an innovative way to accommodate fiber and copper connectivity in data center server and switch cabinets, without taking up valuable rack space.

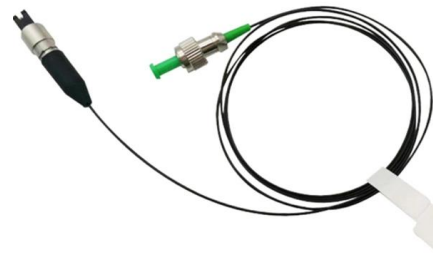


Optimizing Data Center Infrastructure: Network

Data centers, organizations and schools consists of server racks and network cabinets in the IT departments to support an abundance of data cables,

Cable Management

Cabinets, Thermal Management, Racks and Enclosures Our vast selection of cabinets, thermal management, racks, enclosures for data centers,



Patch Panel Installation: 11 Steps to Installing a Network

A patch panel is a device that the Ethernet wires terminate into for a computer network. Learn more about the steps to installing yours!





AMPCOM Patch Panels - Professional Network & AV

AMPCOM patch panels offer high-density copper & fiber termination for data centers, offices, and AV systems. Modular design, shielded ports, and easy installation for



Authorized PATCHBOX Cable Management Distributor

Install the Patchcatch mechanism within your cabinet, strategically streamlining cable routing for heightened functionality. Securely affix the PATCHBOX unit,

What is a Patch Panel?

A patch panel uses a patch cord, a sort of jumper cable, to create each interconnection between the terminated patch panel and the network



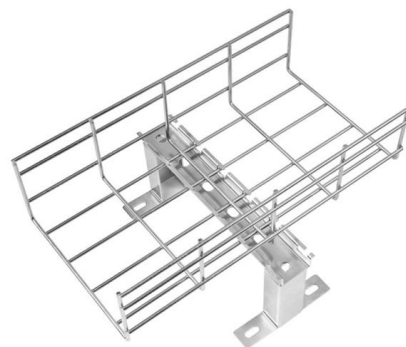
Cat6 Ethernet , Rack/Cabinet Patch Panels , ShowMeCables

ShowMeCables offers a wide variety of Cat6 patch panels. Connect ethernet lines at a rack or cabinet with a handy patch panel. With hundreds on hand, our Cat6 patch panels are ready to ship today.



Avoid the cabling nightmare of data cabinets

In front of each cable that's been punched in, simply plug in a short patch cable from the main switch in the cabinet. Now, all the ports around the office building have an Internet connection

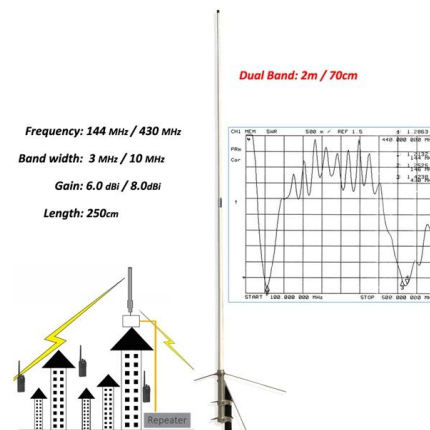


The Ultimate Guide to Setting Up a Home Network

The home network wiring cabinet is a dedicated space in your house where you can organize and centralize all the necessary equipment and connections for your

Network Cabinet Patch Cables Tidy-up

Network Cabinet Patch Cables Clean-up In this video I will be doing just a little bit of a patch cables tidy up in my Network Cabinet by replacing my





Complete Guide to Patch Panels: Types, Benefits, and

Discover everything you need to know about patch panels, including different types, their benefits, and installation tips. Enhance your network



PATCHBOX PatchAmp

PATCHBOX is the most innovative cabling system for network racks ever. The PATCHBOX Plus+ with Cat.6a cables consists of a Frame, Mounting Rails, the Patchcatch - our ORU cable manager - and



Optimizing Data Center Infrastructure: Network

In this article we will talk about network cabinets, patch panels and cable management. A patch panel in a local area network (LAN) is a mounted

Contact Us

For datasheets, pricing, or custom telecom energy solutions, please visit:
<https://koskolong.co.za>