



Adam Tas Corridor Energy

Cable Tray 90° Elbow Dimensions Table

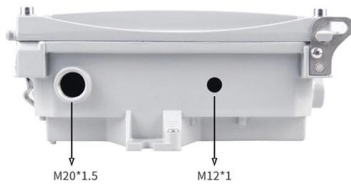




Cable Tray 90° Elbow Dimensions Table

cable tray system

A cable tray system is an assembly of metallic cable tray sections and accessories, that forms a rigid structural system to support cables.



Horizontal Elbow 90 Degrees

horizontal elbow 90 degrees is a product of bestray It belongs to the cable tray product line We are committed to the quality of our products when



Elbow 90°, small, KKW

GRP-Elbow 90° for cable tray KK, small, with unperforated side rails, with moulded connector, glass fiber reinforced polyester, pressed, RAL 7032, pebble grey

Fiberglass Cable Tray Horizontal Elbows 90°

Rung spacing specified in the tray straight sections does not necessarily apply to fittings. Smooth radius fittings are compact and the



curved rail shape is an aid for cable pulling.
Factory engineering support

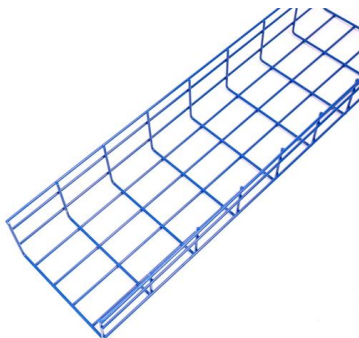


CABLE TRAY, CABLE LADDER, CABLE TRUNKING CATALOGUE

Fitting and accessories. with the same or different width of the cable run. All fittings are available in sizes and types corresponding to the straight cable tray sections. These fittings include: elbow,

Cable Tray Technical Guide A practical guide to product selection and

A practical guide to product selection and installation. This guide for engineers and installers has been developed by ABB as a practical reference regarding cable tray characteristics, installation, and



Elbow 90°, large, KKW

GRP-elbow 90°, large, for cable tray KK, with unperforated side rails, with moulded connector, glass fiber reinforced polyester, pressed, RAL 7032, pebble grey



CABLE TRAY SYSTEMS GUIDE

The design and cost of the cable tray is greatly affected by this designation. In order to determine the most appropriate and economical system, a class should be selected that reflects the actual total

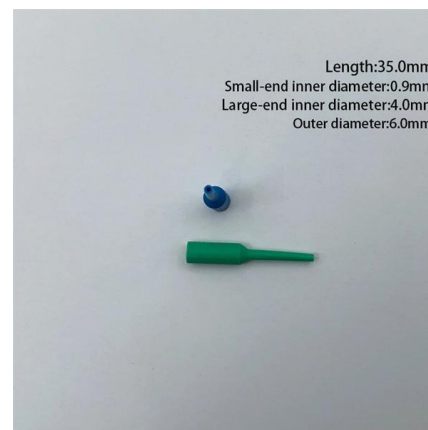


Elbow 90°, large, radius 600mm, KKB-R600

GRP-Elbow 90°, large, radius 600 mm, for cable tray KK, with unperforated side rails, with integrated perforated connector plates, glass fiber reinforced polyester,

Cable Tray Size and Dimensions: How to Choose the

Learn how to calculate the perfect cable tray size and dimensions for your electrical project. This guide covers load capacity, fill ratios, and industry



CABLE TRAYS

CABLE TRAYS & ACCESSORIES ELECTROLINE
CABLE TRAYS ARE DESIGNED AND
MANUFACTURED TO ENSURE EASE DURING
INSTALLATION. PRODUCED IN 3.0 ME-TER



Elbow 90° RES

RES 85.200 F Elbow 90° for cable tray, 85x202 mm, with unperforated side beams, steel, hot dip galvanised DIN EN ISO 1461, incl. accessories
Add to Cart EUR0.00 Excl. 0% VAT EAN



TECHNICAL AND SIZING DATA

Unitray manufacturers five loading depths: aluminum 66 mm, 90 mm, 128 mm, 137, and 175 mm in accordance with CSA standard C22.2 No. 126 M-91 and UL. Are used for changing directions on

Elbow 90 Degrees Cable Tray 300mm (W) 50mm (H)

Elbow cable trays can fit into a corner to hold up, organise, and distribute your cable. With holes crafted for optimal airflow around the cables, you can also use cable





A T& B Cable Tray Metallic cable tray

Cable tray systems offer unsurpassed reliability, resulting in less maintenance and down time - important considerations for all installations and especially for industries such as data

A Guide to Cable Tray Accessories and Their Functions

Explore a detailed guide to cable tray accessories and understand their uses in ensuring safety, stability, and efficiency in electrical system



Fiberglass Cable Tray Horizontal Elbows 90°

All types and widths of tray are available as fittings with the Cope-GLAS Cable Tray System. All fittings are pre-drilled at the factory to accept splice plate fasteners. Rung spacing specified in the tray

90 Degree Horizontal Elbows Catalog , PDF , Dimension

The document provides specifications for metallic cable tray elbows and fittings, including catalog numbers, dimensions, and fitting series. It details the standard



GUIDE CABLE TRAYS TECHNICAL

NEMA VE 1-2017 Specifies requirements for metal cable trays and associated fittings designed for use in accordance with the rules of Canadian Electrical Code, Part I and the National Electrical Code®

Cable Tray Dimensions Guide: Standard Sizes, Tray

We will first explain standard cable tray dimensions used across the industry, then examine how dimensions vary by tray type, and finally show how to



90 Deg Horizontal Flat Elbow

90 Deg Horizontal Flat Elbow Category:
Perforated Cable Tray & Accessories Description



Tray and Ladder Sizing by Cable Capacity Calculator - IEC

Common Tray and Ladder Sizes by Cable Capacity (IEC Reference) Below are industry-standard tray and ladder dimensions used globally, based on typical installations and in alignment with IEC



Cable Tray Dimensions Guide: Standard Sizes, Tray

Standard Cable Tray Dimensions Cable tray dimensions are not chosen at random. Across most global markets, they follow well-established

Contact Us

For datasheets, pricing, or custom telecom energy solutions, please visit:
<https://koskolong.co.za>