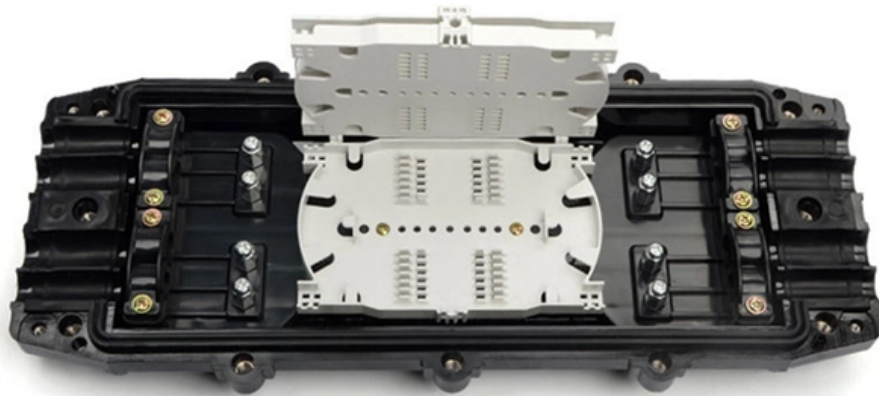




Adam Tas Corridor Energy

Cable laying inside tunnel cable trays





Cable laying inside tunnel cable trays

Typical Design Philosophy of Cable Trays for Power



Cable tray system shall be used for laying of MV and LV power, control, instrumentation and special cables in the Power Plant. Cable trays shall be

CABLE TRAYS GENERAL INFORMATION AND

Using cable trays as walkways can cause personal injury and also damage cable tray and installed cables. Performances of cable tray systems are dependent on



Best practices for underfloor cable management

Modern data center designs must develop cable organization plans with considerations to account for day-to-day operation, operational efficiency of equipment, optimal performance, and the facility's

Digital LHD Heat Sensing

Cable trays can be located in areas where access is either difficult or restricted; service tunnels, vertical risers and ladder racking. Where cable is



run in external environments standard detection methods



What Is the Difference Between Cable Tray and Cable

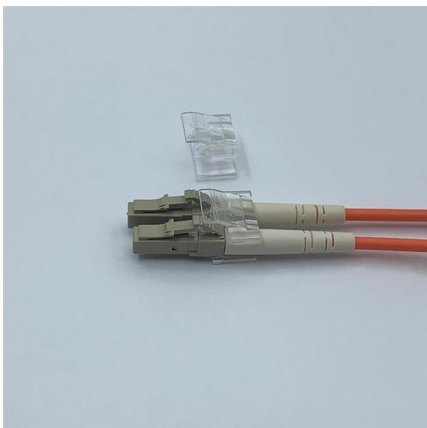
When cables aren't routed properly, they can get damaged or cause serious problems. Choosing between a cable tray and a cable trench helps keep



OM3 Fiber Patch Cable Family

Cable Tray Technical Guide A practical guide to product selection and

Cable Tray Technical Guide A practical guide to product selection and installation This guide for engineers and installers has been developed by ABB as a practical reference regarding cable tray



Cable Trench And Cable Tunnel In The Cable Laying Method

Cable tunneling is a cable installation method in which cables are laid in underground tunnels.



Master Cable Tray Installation: A Professional Step-by

Learn how to install cable trays for large-scale projects with our professional, step-by-step guide covering industry standards, safety protocols,



Technical Guidelines for Cable Tray Installation and

Cable tray installation must comply with specific technical standards to ensure electrical safety, system reliability, and long-term maintainability. This document

Twelve high voltage cable construction techniques used

This technical article discusses twelve different methods for laying high voltage cables. Out of the ten, four are deemed conventional and



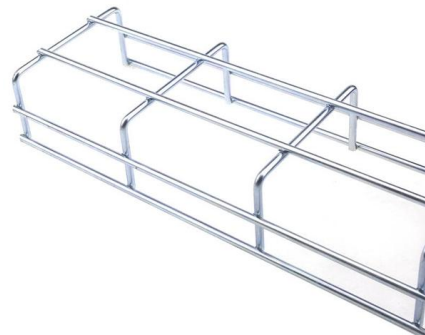
Cable tray

In the electrical wiring of buildings, a cable tray system is used to support insulated electrical cables used for power distribution, control, and communication. Cable



IEEE 525-2007_accepted

IEEE-SA Standards Board Abstract: The design, installation, and protection of wire and cable systems in substations are covered in this guide, with the objective of minimizing cable failures and their



Cable Tray Pictures, Images and Stock Photos

Search from 3,251 Cable Tray stock photos, pictures and royalty-free images from iStock. For the first time, get 1 free month of iStock exclusive photos, illustrations,

IEEE Guide for the Design and Installation of Cable Systems in

Abstract: The design, installation, and protection of wire and cable systems in substations are covered in this guide, with the objective of minimizing cable failures and their consequences.





Installation Of Cable In Cable Trays: NEC, Safety

Installation of Cable in Cable Trays ensures proper routing, cable management, NEC compliance, grounding, fire safety, and load capacity.

Safety Guidelines for Cable Installation

The document provides a job hazard analysis for erecting cabling, cable trays, and cable supports inside tunnels. It outlines 4 key steps: 1) marking installation



Anixter - Wire and Cable, Networking, Security and Utility Power

Anixter - Wire and Cable, Networking, Security and Utility Power Solutions



Cable Tray Technical Guide A practical guide to product selection and

Cable tray installed in a hazardous location must contain only those cables that are appropriate for this type of environment as defined in Chapter 5 of the NEC.



Mastering Cable Tray Installation , Step-by-Step Guide for a Seamless

Learn how to install cable trays correctly. Get the ultimate step-by-step guide on setting up a seamless and reliable cable management system.



Cable Trays for Tunnel Cable Management

Explore how cable trays improve cable management in tunnel environments with safety, space efficiency, and reliable cable support solutions.



How to Install Cable Tray: A Comprehensive Guide to Different Cable

Welcome to our step-by-step guide on installing cable trays! In this video, we'll explore the different types of cable trays available and provide detailed instructions for their installation.





Cable Management for Transit, Tunnels & Rail

Snake Tray is a leading provider of cable management solutions for transit, tunnel and wayside environments. All Snake Tray products comply with NFPA 130 and



Tunnel and Rail System Solutions , EAE Electric

Since 1973, EAE Electric has been your reliable partner in busbar, cable trays, fit-out solutions, support systems and much more!

Best Practice Guide to Cable Ladder and Cable Tray Systems

This publication is intended as a practical guide for the proper and safe* installation of cable ladder systems, cable tray systems, channel support systems and associated supports.



cable tray solutions For tunnels guide

Ceilings, walls, beams, etc., each tunnel has particular installation requirements, and P31 can provide a response with its range of support systems, including threaded rod suspension, brackets for heavy



Suppression of cable tray fire in utility tunnel power compartments

Utility tunnel cable systems face critical fire safety challenges due to dense cable arrangements and complex flame spread dynamics. This study investigates the suppression



Contact Us

For datasheets, pricing, or custom telecom energy solutions, please visit:
<https://koskolong.co.za>