



Adam Tas Corridor Energy

Cable tray for laying cables





Cable tray for laying cables



Customized Perforated Cable Trays Fireproof Heavy Duty Cable

Max. Working Load According to size Application Network, Industrial, Construction, Managing Cables, Cable Support, Cable Laying, Cable Wiring Place of Origin Shandong, China Model Number Ladder

Cable Trays , Cable Management Trays

Are you looking for high-quality Cable Trays for improved cable management and organisation? Look no further than our extensive range, featuring top brands such as our very own RS PRO, Cablofil



Factory Price Perforated Cable Tray Custom Ventilated Cable

Cable Capacity Customized Application Network, Industrial, Construction, Managing Cables, Cable Support, Cable Laying, Cable Wiring Place of Origin Shandong, China Model Number

China FRP Cable Tray Supplier, Manufacturer and

FRP cable tray have a wide range of applications, including but not limited to the following fields:



1. Industrial plant: Provide support and protection for cables of



Types of Cable Trays: Ladder, Perforated, Basket, Solid

Explore all types of cable trays--ladder, perforated, basket, solid, and channel. Learn their uses, materials, pros, cons, and key differences.

JS Industrial Construction Cable Tray Elbow 90 Degrees Three Links

Network, Construction, Industrial, Managing Cables, Cable Support, Cable Laying, Cable Wiring Place of Origin Fujian, China Model Number 200*100 Brand Name JS Application Cable Laying



Cable Tray Installation

Learn everything about cable tray installation with our complete guide. Discover types, steps, and safety tips for efficient electrical cable management.



Ladder Cable Tray Price Cable Ladder Product Level Bend Type of

High-Performance Ladder Type Cable Tray: Efficient & Durable Cable Management Our Ladder Type Cable Tray is engineered as the backbone of modern electrical infrastructure, specifically designed

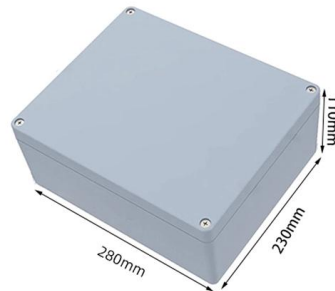


Our Range of Cable Trays and Accessories , Nordic Wire Tray

Cable trays has an overall mission: to organize cables. In order to successfully meet the market's demands, high requirements and adaptations to various industries, a broad and well-thought-out

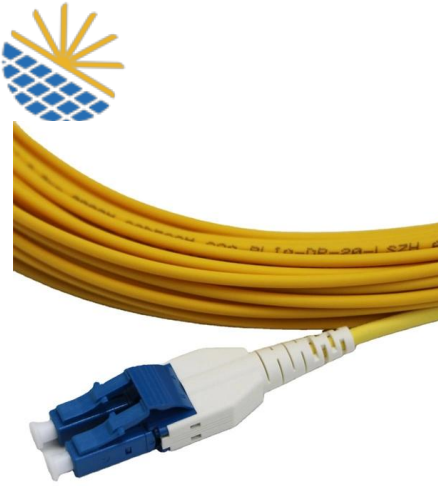
Cable Tray Types and Sizes

Types of Cable Trays and Sizes Explore various cable tray types and sizes for electrical installations. Learn about ladder, perforated, solid-bottom, wire mesh,



Cable Tray,Steel Channel Cable Tray,Steel Cable

Description In the electrical wiring of buildings, a cable tray system is used to support insulated electrical cables used for power distribution, control, and



cable tray Tender News , Latest cable tray Tender Notice

Get latest information related to international tenders for cable tray Government tender document, cable tray tender notifications and global tender opportunities from world wide



Cable trays Cable trays

Cable Trays, Cable Ladders & Cable Trunking Systems - Professional Cable Management Solutions Discover a comprehensive range of high-quality cable

cable trays Tender News , Latest cable trays Tender Notice

Get latest information related to international tenders for cable trays Government tender document, cable trays tender notifications and global tender opportunities from world wide





SS Perforated Galvanized Cable Tray 600mm With Wire Mesh And

Tray Accessories Vichnet HDG galvanized
Outdoor Cable Tray Wire Mesh Cabl Quick Details
Place of Origin: Shanghai, China (Mainland)
Brand Name: Yin An Model Number:
CM100-50-3000-5-HDG

Fireproof Insulated Cable Tray Anodized Aluminum Electrical Cable Tray

Max. Working Load 200kg Surface Finishing
Galvanizing or coating Application Cable Support,
Cable Wiring, Cable Laying, Managing Cables
Place of Origin Shandong, China Brand Name
SHINLONG



Innovative Cable Tray Designs for Modern

Proper Sizing: Selecting the appropriate tray size
ensures adequate space for current and future
cable additions, preventing overcrowding and
maintaining



Roof Solar Cable Tray Manufacturers - SENYENERGY

Solar Cable Tray is a specialized support system
designed to safely route, organize, and protect
electrical cables (DC strings, AC output,
communications) on rooftops



Cable Tray Technical Guide A practical guide to product selection and

Cable tray is considered to be a system. It must provide continuous support for cables, and the electrical continuity of the cable tray system must be maintained.

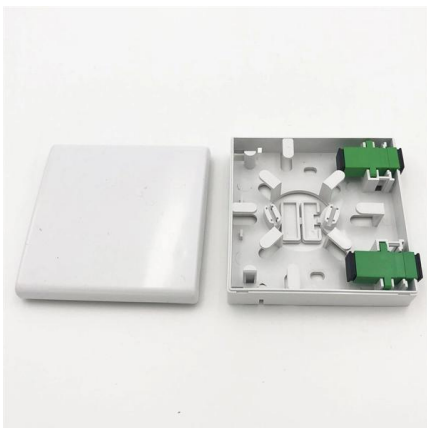
Uganda cable tray association Germany

All Companies and suppliers for uganda-cable-tray-association Find wholesalers and contact them directly Leading B2B marketplace Find companies now!



Premium Galvanized Wire Mesh Cable Tray Long Service Life

Max. Working Load According to size Surface Treatment Hot-dip galvanized Application Cable tray equipment, cable support, cable routing, building, industrial and network cabling Place of Origin





Steel Cable Tray , Strong And Reliable Cable

Steel cable trays offer a practical and durable solution for cable management in industrial and commercial applications. Built from high-quality materials, these



Heavy Cables Cable Tray System Trough Cable Tray Trunking

Cable Capacity customization Application Cable Laying, Cable Support, Construction, Cable Wiring, Industrial, Managing Cables, Network Place of Origin Shandong, China Brand Name YD Application

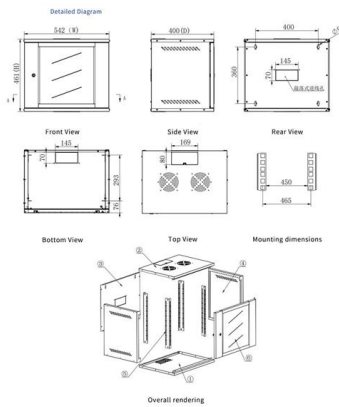
Best Practices for Installing Cables in Trays

Learn the best practices for installing cables in trays. This guide covers essential steps, technical requirements, and key details



201 Stainless Steel Cable Tray Industrial Construction Trunking

201 Stainless Steel Cable Tray Industrial Construction Trunking Aluminium Cable Ladder for Cable Laying Application No reviews yet Certificates:CE,



Mastering Cable Tray Installation , Step-by-Step Guide for a Seamless

Mastering cable tray installation is crucial for creating a safe, organised, and efficient cable management system. By following this step-by-step guide, you can ensure a seamless setup that



Best Practices for Installing Cables in Trays

Learn the best practices for installing cables in trays. This guide covers essential steps, technical requirements, and key details

High-Quality Cable Tray Systems , Light, Medium

Explore our premium cable tray systems at Direct Channel. Available in light, medium, and heavy-duty options, with pre-galvanized & hot-dipped finishes.





Verified Supplier Cable Tray 400mm Hot-Dipped Galvanized Material

Q5: How does a cable tray differ from conduit? A conduit provides a fully enclosed system for cable protection, while a cable tray is an open or semi-open framework for supporting cables. Conduits are

Contact Us

For datasheets, pricing, or custom telecom energy solutions, please visit:
<https://koskolong.co.za>