



Adam Tas Corridor Energy

Cable tray support processing equipment





Overview

This comprehensive guide provides a detailed overview of cable tray making machine technology, working principles, types of machines available, manufacturing process, raw materials required, applications where used, cost considerations, tips for choosing suppliers . When developing our cable support OBO can offer reliable solutions for systems, three attributes are at the routing and fastening cables securely core of what we do: efficiency, resilience for each of these installation challenge-ience and safety. Cable tray production equipment refers to the machinery and tools used to manufacture cable trays, which are structural components designed to support and organize electrical cables. Sizes and designs can be individually selected and special dimensions are available on request. Our cable trays are produced in fit for purpose materials like stainless steel, galvanized, aluminium and fibreglass (FRP/GRP) composites to suit any project type both offshore and onshore. Utilizing state-of-the-art equipment and CNC machines in our production processes, we craft a variety of Cable support Solutions, including cable trays, cable trunks, and ladders.



Cable tray support processing equipment

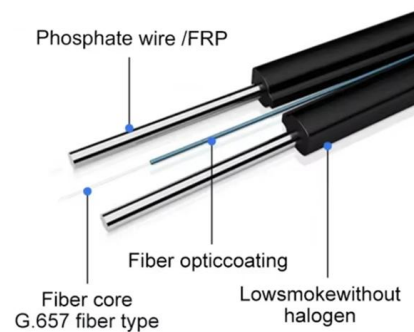


Cable Tray Roll Forming Machine: The Ultimate 2025 Guide

Overview of Cable Tray Roll Forming Machines A Cable Tray Roll Forming Machine is a specialized piece of industrial equipment designed to manufacture cable trays from metal coils. The

Cables Support Systems - Memico

Utilizing state-of-the-art equipment and CNC machines in our production processes, we craft a variety of Cable support Solutions, including cable trays, cable trunks, and ladders, tailored to meet specific



Cable tray

ABB designs and manufactures cable tray systems, including perforated tray, cable ladder, channel tray and strut (metal framing), directly from production facilities in

What Is Cable Tray (Purpose, Materials And Applications)

What is cable tray? Learn about its types, uses in industries, safety benefits, and how it organizes



and supports cables in various environments.



Cable Tray Roll Forming Machine

Multi Size Cable Tray Roll Forming Machine Our latest version of the multi-size cable tray roll forming machine can produce various lengths and heights, suitable for



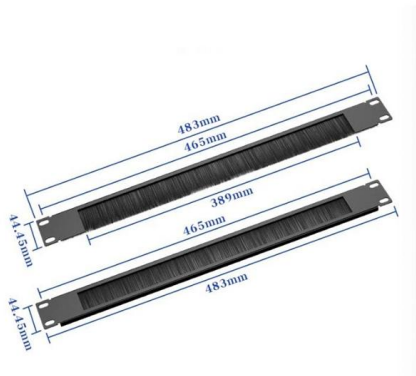
Guide to cable support systems

In addition, a cable support system can be used to separate and arrange cables in groups. The systems are installed on ceilings, walls or floors. The material of a cable support system is normally steel or



Cable Trays

Cable trays are systems that distribute bundles of insulated electrical cables from power supplies to electrical equipment, consisting of metallic trays supported from structures like walls and ceilings.





Cable Trays Selection Guide: Types, Features,

Cable trays are components of support systems for power and communications cables and wires. A cable tray system supports and protects both power and



Everything You Need to Know About Cable Trays , Cable Trays

Discover the different types of cable trays, their many benefits when used in electrical wiring and network cabling, installation processes, and essential maintenance tips for keeping your

Power Plant :: Products :: Cable Tray

A cable tray system is used to support insulated electric cables used for power distribution and communication. Cable trays are used as an alternative to open



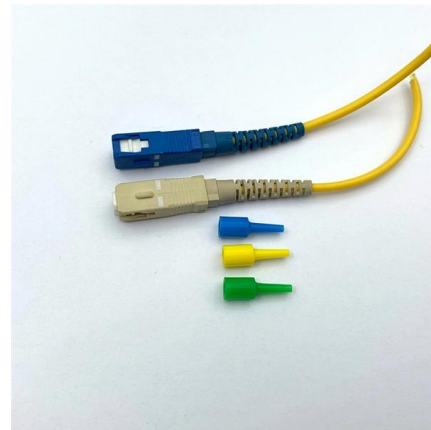
Cable Tray and Support System

A cable tray gadget is utilized in constructing electric wiring to assist insulated electric wires used for strength distribution, control, and communication. Cable



Cable Tray Installation

Learn everything about cable tray installation with our complete guide. Discover types, steps, and safety tips for efficient electrical cable management.



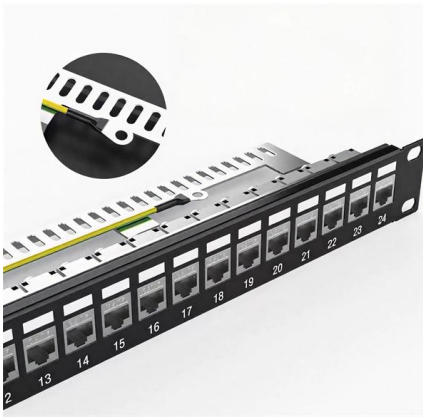
Cable Tray Production Line , Cable Tray Roll Forming

We customize according to customer requirements and meet your semi-automatic or fully automated processing requirements. Please follow us to learn about the

How to Choose the Best Cable Tray Accessories: A Complete Buying

Use cable tray accessories when managing multiple circuits, planning future expansions, or working in regulated environments. Avoid them in temporary setups or low-cable-count scenarios





Cable Tray Technical Guide A practical guide to product selection and

SOLID-BOTTOM CABLE TRAY Providing additional cable protection, solid-bottom cable tray is sometimes preferred to support and protect numerous small instrumentation and control cables.

Complete cable tray manual for electrical engineers and

Complete cable tray manual for electrical engineers and designers (on photo: power cable management ladder tray systems assembled aluminum cable tray ladder)



Niedax Catalog for cable support systems

The range extends from strip galvanized to hot-dip galvanized steel and stainless steel. Different dimensions with corresponding hole patterns as well as various support loads from light to very

Cable trays

We offer a wide range of cable tray systems to support tubing, electrical cables and instrumentation. Our cable trays are produced in fit for purpose materials like



What are Cable Trays & Different Types of Cable Trays

Learn what cable trays are & explore the various types, benefits, and purposes. Gain insights into how electrical cable trays can revolutionize your



Best Practices for Installing Cables in Trays

Quick Installation Checklist (Key Steps) Cable tray cable installation generally follows these steps: Inspect cables before



Types of Cable Trays: Ladder, Perforated, Basket, Solid

Cable trays support insulated electrical cables in industrial and commercial settings. There are several types of cable trays, including ladder,





Cable Tray Making Machine

What is a Cable Tray Making Machine? A cable tray making machine, also known as a cable tray roll former, is an automated machine that forms metal coil strips into cable tray sections



Types of Cable Trays: Benefits and Uses

Different types of cable trays offer key benefits, optimizing cable management and enhancing efficiency in electrical systems.

Comprehensive Guide to Cable Tray Production Equipment

Explore the ultimate guide to cable tray production equipment. Learn about types, features, and trends to improve efficiency, precision, and



Support Systems for Cable Trays & Busbars

Reliable support systems for cable tray and busbars, designed for electrical and mechanical installations. Available in corrosion-resistant coatings.



Contact Us

For datasheets, pricing, or custom telecom energy solutions, please visit:
<https://koskolong.co.za>