



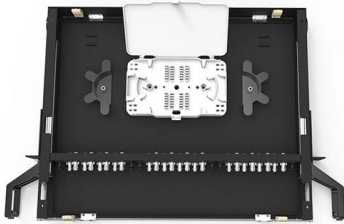
Adam Tas Corridor Energy

Cable tray with 30 bends





Cable tray with 30 bends



Aluminum Channel Horizontal Elbows 30°

Cope aluminum cable tray bend fitting ensures fast, secure installation for power and control cables.

Cable Tray Bend Calculator

Engineering Notes IEC 61537 / NEC 392 Standards Tray bend radius must be \geq minimum cable bend radius. Use the largest cable diameter in the tray for calculation. Always select the next higher



SPF430SHB3024 , Bend for cable tray , T& B Cable Tray , Wire

Pre-galvanized steel fitting 4 inches side rail height 30 inches width solid trough horizontal bend 30 degree 24 inches radius. For more info visit: electrification.abb . Made or assembled in Canada.



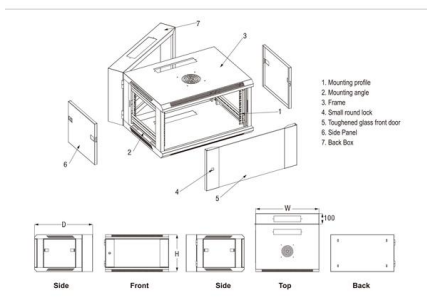
Mesh cable tray bends , OBO

Mesh cable trays, screw connection fittings - Mesh cable tray bends.



Cable trays: 3D models

Discover all CAD files of the "Cable trays" category from Supplier-Certified Catalogs SOLIDWORKS, Inventor, Creo, CATIA, Solid Edge, autoCAD, Revit and many more CAD software but also as STEP,



Cable Tray

Cable Tray Fitting, 90° Junction Kit. Material: Carbon Steel. Finish: Electroplated Zinc. Includes: (1) Hardware for (1) Tee (2) 90° Bends.



CabloBend EZ

CabloBend Systems give you the freedom for true cable tray flexibility. Create bends and drops that you need--without cutting. Perfect for data centers.





Tray Bends , Hirsch Pipe & Supply

Cable Tray Flat Bends of 45° and 90° bends are available for light, medium and heavy duty cable tray systems. An adjustable bend with 30°, 45°, 60°, 75° and 90° configurations is also available for

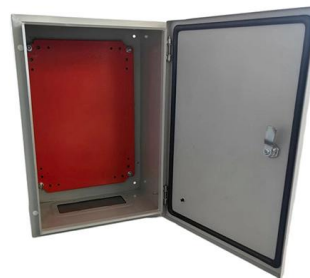


45° Horizontal Cable Tray Bend :: PLATT ELECTRIC SUPPLY

Item #: 0014946 CAT #: CT44EFC45SS UPC:
783510157678 Category: 45° Horizontal Cable
Tray Bend Made in USA \$ 274.11 EA Company
wide:

Cable Tray 90 Degree Bend In Electrical System Construction And

In electrical system construction and maintenance, cable tray accessories play a critical role. These accessories serve as integral components in organizing and protecting cable lines, ensuring their



Cable Tray 45 Degree Bend

Buy high-quality 45-degree cable tray bends made from copper-free aluminum. Complies with NEMA 12B standards for reliable cable management. 600mm Width, 900mm Radius.



GI Perforated Cable Trays Bends at INR 210/piece

Jpshine Electrical And Controls Pvt. Ltd. - Offering GI Perforated Cable Trays Bends, Horizontal Bend Cable Tray at INR 210/piece in Greater Noida, Uttar Pradesh. Check best price of Cable Tray Bend in



Fiberglass Cable Tray 0° thru 90° Vertical Adjustable

Fiberglass - 0° thru 90° Vertical Adjustable Bends
A range of fittings makes the system customizable, accommodating any kind of tricky configuration. Users can

I-BEAM Ladder Horizontal Elbows 90°

Cope I-BEAM horizontal bend for cable tray systems. Compatible with NEMA Classes 12B, 12C, 20A, 20B, 20C, and higher.





Cable tray SKS-Magic® FS 60

Cable tray with integrated quick fastening system. The usable length of the cable tray is 3,000 mm. The cable tray has continuous side perforations of 7 x 20 mm for the installation of additional connection



Cable Tray Bend

Find here Cable Tray Bend, Horizontal Bend Cable Tray manufacturers, suppliers & exporters in India. Get contact details & address of companies manufacturing and

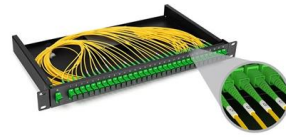


How to create a 90° gusset bend (45°x2) cable tray

I am an apprentice electrician and looking knowledge on how to create a 90° bend on a cable tray suitable for SWA. I understand we have to create 2 separate 45°

Cable trays

We offer a wide range of cable tray systems to support tubing, electrical cables and instrumentation. Our cable trays are produced in fit for purpose materials like



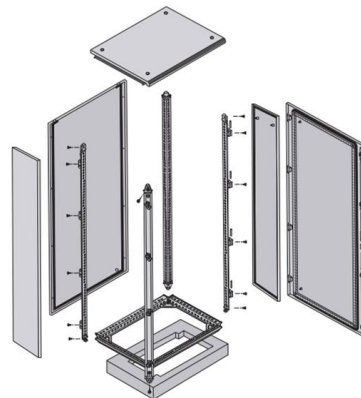
Types of Cable Trays: Ladder, Perforated, Basket, Solid

Cable trays support insulated electrical cables in industrial and commercial settings. There are several types of cable trays, including ladder,



Electrical Bend Tray

Showing 31 - 45 of 168 15 per page 30 per page 60 per page View All Sort by: Previous 2 3 4 Next
Legrand SRFB45045PG Bend Flat 45Deg 450mm
Catalogue Code: 388167241 £85.49ex VAT



Cable tray MKS-Magic® 60 FS

Cable tray with integrated quick fastening system. The usable length of the cable tray is 3,000 mm. The cable tray has continuous side perforations of 7 x 20 mm for the installation of additional connection



Free download! Cable Trays and Horizontal Racks

Download free BIM objects from over 2 000 manufacturers. Choose among BIM objects for SketchUp, Autodesk, Revit, Vectorworks or ArchiCAD.



Cable Tray Fitting creation (Elbow Bend)

I am having a problem creating a cable tray fitting, I did the best I could (see attached), however still doesn't want to connect automatically. please help !!

Cable Trays

A cable tray bend is a connecting element used at points where the cable tray changes direction. It ensures that the cable trays smoothly change face at



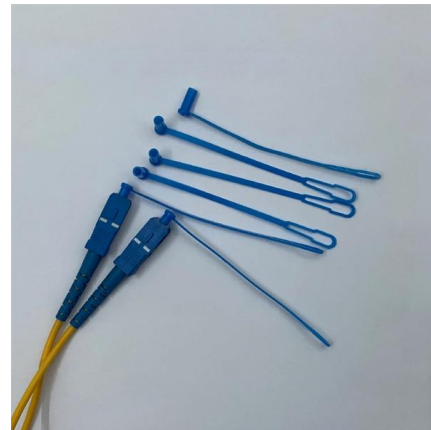
30° Horizontal Cable Tray Bend :: PLATT ELECTRIC SUPPLY

Eaton B-Line Horizontal Bend, 30°, 36" Radius, 24" Width, Aluminum Horizontal Bend, 30°, 36" Radius, 24" Width, 5" NEMA, 6" Height, Aluminum Item #: 2241125 CAT #: 6A-36-30HB24



How Much Do Cable Trays Cost? A 2026 Comparison

Discover the 2026 cost breakdown for cable trays compared to conduit and wire mesh. Compare material prices, labor savings, and performance



P31 cable trays , , Products , Legrand Jordan Jordan

The ingenious P31 range has numerous accessories which offer maximum flexibility with the option of different configurations: convex and concave risers, 15°/30°/45°/90° bends, adjustable bends, tee

Legrand® P302460 Itray/90HB Horizontal Cable Tray

These features allow Itray to be installed up to 30% faster than standard tray. Legrand® Cable Tray Elbow, Horizontal, Series: Itray/90HB, 12 in Tray Width, 90





Contact Us

For datasheets, pricing, or custom telecom energy solutions, please visit:
<https://koskolong.co.za>