



Adam Tas Corridor Energy

Calculation of tension in communication tower guy wires





Overview

The recommended initial tension in guy wires is 10% of their ultimate tensile strength. Guy wires are essential for stabilizing utility poles, communication towers, and other tall structures. We will discuss the minimum industry standard that must be referenced for this type of work, they are t does not exceed.



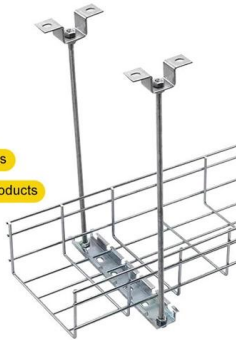
Calculation of tension in communication tower guy wires

STAINLESS STEEL WIRE MESH

Long-lasting and durable

Comprehensive specifications

Customized non-standard products



Tower Numerics

tnxCable calculates cable tension changes due to temperature differences. The program will also calculate the tangent intercept distance that may be used to

Guyed Wire Communication Tower

Introduction Guyed wire communication towers are essential infrastructures in modern telecommunications, providing the necessary height for antennas and broadcasting equipment to



Methods of Measuring and Establishing Cable Tensions in Guyed

The guy cables are the critical support members for these structures. Structural deflections, stability, and the survival of these structures when subjected to loading situations depend upon the initial, or

Twist, Plumb and Tension for Guyed Towers

What is a TPT? This is a process that ensures that the tower does not have excessive twist, is not



out of vertical plumb and that the guy tensions are compliant with the engineer's specifications derived



Guy Wire Diameter Calculator Under Wind and Ice Loads

Explanation Calculation Example: This calculator determines the minimum required diameter of a guy wire for a transmission tower. It considers the wind load, ice load, allowable stress



Guy Wire Tension Analysis Guide , PDF , Force , Angle

This document discusses how to determine stresses in guy wires that are used to support vertical structures. It provides the following key points: 1) Guy wires are



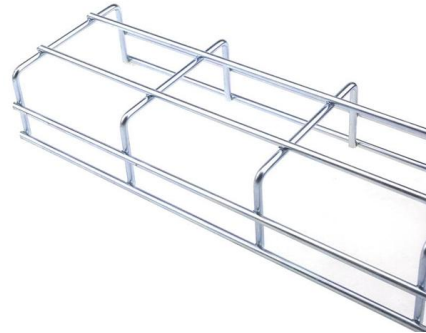
Guy Wire Pulse Tension Calculator Guide

Guy Wire Pulse Tension Calculator Guide This spreadsheet calculates guy wire tensions and pulse times based on parameters like wire size, length, elevation



What is a guy wire and how to use it? - The Ultimate Guide

Why is the guy wire so important in power and communication systems? How to choose the perfect products? In this guide, We will delve into the project.



How To Install and Select Guy Wires (CM-9081)

How To Install and Select Guy Wires (CM-9081)
Consistent, safe support of antenna installations over 10 feet above the uppermost wall bracket or roof mount depend

Guy Wire Tension Measurement Methods

The document discusses methods for measuring tension in guy wires that support towers. The preferred direct method uses hydraulic equipment to pull the guy wire



Twist, Plumb and Tension for Guyed Towers

Understanding the twist, plumb, and tension ("TPT") of a guyed tower is critical to ensure a safe working environment when tower maintenance takes place. The



Tensioning Guy Wires

With the comealong and a Chicago grip (or another, second, guy grip applied several feet up the guy wire) moderately tension the guy wire. I say moderately so you don't pull the tower over or throw it



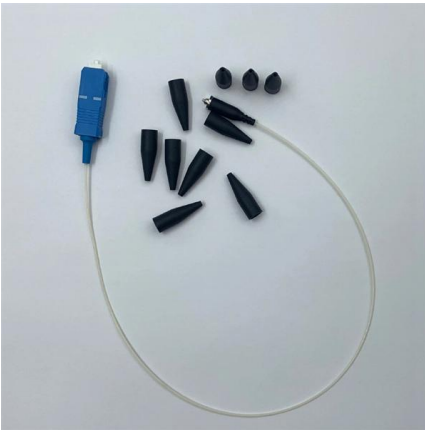
Guy Takeoff Calculator

With the ever-increasing need for replacement guy systems and retrofitting projects to enable increased capacity on guyed towers, WirelessEstimator designed

Guy Wire Tension Calculator

Article Guy wire tension: practical sizing notes for construction work Guy wires stabilize slender poles, masts, and temporary towers by converting lateral loads into axial tension. A dependable tension



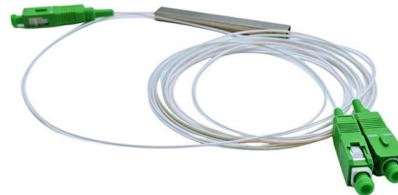


Guy Wire Tension Calculation Chart

This document contains a guy tension chart with information about guy wires for 6 levels including anchor radius, wire size, length, and cut length. It also provides

Tower Guy Wire Tension Guide

The recommended initial tension in guy wires is 10% of their ultimate tensile strength. There are two different grades of steel used for good guy line (clothes line does not count), HS (high



Guy Wire Tension Formula: Master the Essentials for

Guy wires are crucial for maintaining the stability of structures like towers, poles, and antennas. The tension in these wires must be accurately calculated to ensure

Guy Wire Calculator Online

Understanding and calculating the tension within a guy wire is crucial in several industries, such as construction and telecommunication. Fortunately,



How to Use a Guy Wire: Function, Fittings and Installation

A guy wire is a lightweight galvanised cable that is used to provide stability to poles or towers. It is also referred to as guy strand, guyed wire, guy line, guy rope, or



Towers/Installation

Product Information Guy Wire/Turnbuckles/Grips
The following average distributor pricing for EHS galvanised steel guy wire, preformed grips, cable clamps,



Guyed Tower

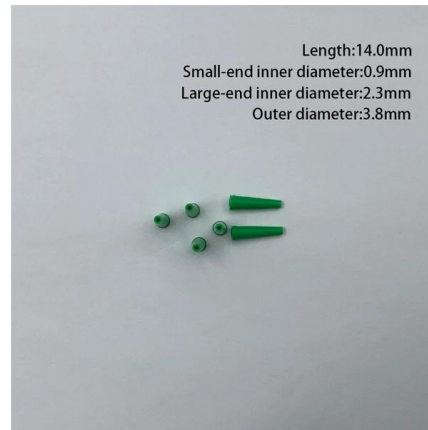
ASMTower design software can model Guyed tower as a 3D truss and guy wires as a catenary element for accurate analysis of loads and forces.





Guy Wire Tension Calculation Guide

Proper tensioning ensures structural integrity and longevity. This guide explains the fundamentals of guy wire tension calculation, including formulas, best practices, and tools.



Guy Wire Tension Calculator

Estimate guy wire tension for poles and towers. Compare loads, angles, and safety factors instantly today. Export results to CSV or PDF for documentation projects.



Methods of Measuring and Establishing Cable Tensions in Guyed

Also, this report documents the guy cable tensioning efforts performed during the installation of the Computer Controlled Antenna Measurement System in Appendix A.



Guy-Wire-Calculator

With the ever-increasing need for replacement guy systems and retrofitting projects to enable increased capacity on guyed towers, WirelessEstimator designed



Guy Tension & Tower Alignment Report

Technical report detailing guy tensions, vertical alignment, and tower twist measurements for guyed towers. Includes allowable ranges and measured values.



Guy Wire Applications: What Structures Use Guy Wires?

Explore the diverse applications of guy wires across various structures, including telecommunications towers and construction projects. Learn where and why guy wires are essential.

How to Tension Guy Wires

By sighting up a guy wire and finding an intercept point at the sag of the wire, professionals can calculate the tension based on where the direct line of sight intercepts the point where the guy





Guy Wire Calculator Online

By inputting the required parameters such as load, angle of inclination, height, and distance, the calculator applies these to the predetermined formula to



Contact Us

For datasheets, pricing, or custom telecom energy solutions, please visit:
<https://koskolong.co.za>