



**Adam Tas Corridor Energy**

# **Can ladder-type cable trays be used in basements**





## Can ladder-type cable trays be used in basements

---



### Microsoft Word

With all the choices in cable trays styles, ladder, ventilated, solid bottom and wire basket, it can be difficult to know which is the right one for your application. This bulletin will help provide a few

### Types of Cable Trays - Advantages, Applications and Sizes

Explore the types of cable trays, their advantages, applications, and standard sizes. Learn how they improve cable management and support various industries.



### Types of Cable Trays - Purpose, Advantages,

Cable tray is alternatives to wire ways and electrical conduits, which completely enclose cables. Study types of cable trays, purpose, advantages.

### Cable Tray Installation

Learn everything about cable tray installation with our complete guide. Discover types, steps, and safety tips for efficient electrical cable



## Types of Cable Trays: Ladder, Perforated, Basket, Solid

Cable trays support insulated electrical cables in industrial and commercial settings. There are several types of cable trays, including ladder,



## Ultimate Guide to Cable Tray Selection - Types,

Learn how to choose the best cable tray system for your needs. Explore types, materials, installation tips, and NEC compliance in this expert guide.



## Why Ladder-Type Cable Trays Are Essential for Modern

Ladder-type cable trays are among these critical elements, enabling the reliable and well-organized distribution of electrical cables. This article explores the essential





## Explaining NEC Article 392 on Cable Trays

NEC Article 392 explains cable trays, their components, appropriate wiring methods for cable trays, and instances where they are and are not



## Important design considerations for cable ladder and

Designers are unlikely to select or use a ladder or tray for a protective conductor, and therefore, it would not require earthing, but depending on the

## What is the difference between cable ladders and cable

Generally, cable ladders are preferred for supporting high volume or heavy cabling, especially if there are long spans between supports. Cable trays are typically



## Cable Tray vs. Cable Ladder

Cable ladders (also known as ladder racks) feature two side rails connected by rungs, resembling a ladder. They provide robust support and are particularly suited for heavier cable loads or cables



## Best practice guide to cable ladder and cable tray

The following recommendations are intended to be a practical



## Cable Ladder vs Cable Tray , Which Do You Need For

We explore cable ladders vs cable trays and which is suitable for your next project. Explore overviews, benefits and more.

## Cable Tray Type Selection

Cable Tray Type Selection What type of cable tray should be used for the main runs of a cable tray wiring system? The cable tray types to choose from are ladder, ventilated trough, or solid bottom.





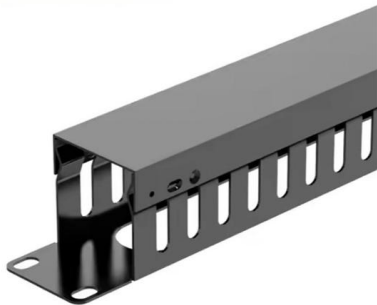
## What are Cable Trays? Everything you need to know

Discover everything about cable trays in industrial settings: types, benefits, installation tips, and compliance with NEC and fire resistance standards.



## Cable Tray Systems: A Complete Guide to Types

Discover the essential guide to cable tray systems. Learn about ladder, trough, and wire mesh types, key components, and expert installation tips

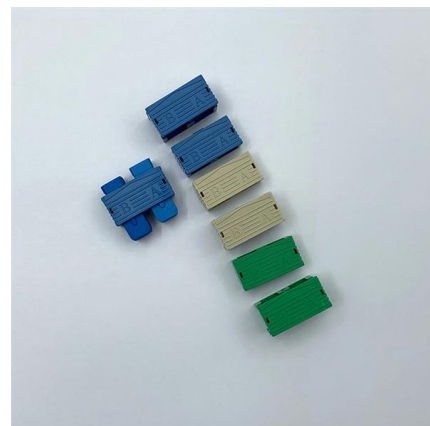


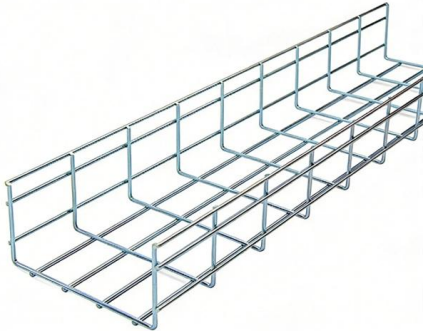
## Types of Cable Trays: Ladder, Perforated, Basket, Solid

Explore all types of cable trays--ladder, perforated, basket, solid, and channel. Learn their uses, materials, pros, cons, and key differences.

## CABLE TRAY SYSTEMS GUIDE

Hubbell's NEXTFRAME® Ladder Tray is the effective and widely used cable runway that supports and delivers bundles of cable between cabinets, racks, and closets, along walls, and suspended from



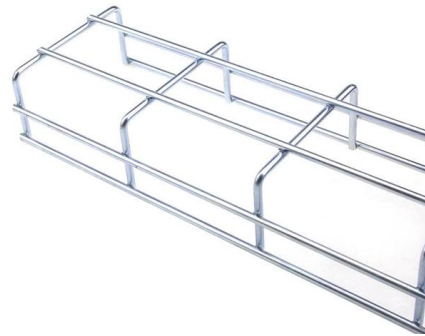


## What are the Five main types of cable trays?

Ladder type cable trays are commonly used in industrial facilities, data centers, commercial buildings, and infrastructure projects, where the organized

## Difference Between a Cable Ladder and Cable Tray

Explore the key differences between a cable ladder and cable tray. Learn about their design, applications, advantages, and ideal use cases for efficient cable



## 7 Types of Cable Trays: How to Choose the Right One

Cable tray systems are engineered support structures designed to route, support, and protect insulated electrical cables used for power distribution,

## Cable Tray vs Cable Basket vs Cable Ladder vs Cable

Compare cable tray, basket, ladder & trunking systems. Learn the pros, cons, and best uses for each type, with links to our UK product ranges.



## Best Practice Guide to Cable Ladder and Cable Tray Systems

Cable ladder systems and cable tray systems are designed for use as supports for cables and not as enclosures giving full mechanical protection. They are not intended to be used as ladders, walk ways

### Cable Tray vs. Cable Ladder

Cable Tray vs. Cable Ladder: Understanding the Differences Introduction In electrical installations, cables need organized support and protection. Two common solutions are cable trays and cable



### Types of Cable Trays and Their Benefits

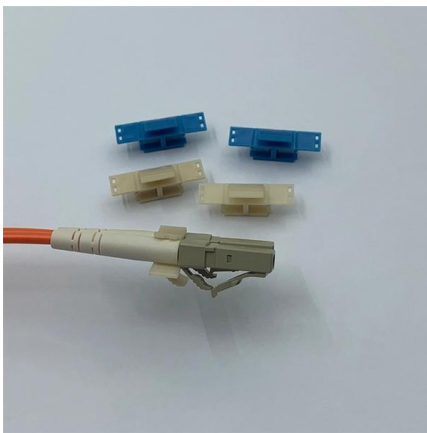
Understanding the different types of cable tray systems and their benefits is vital for anyone involved in electrical or data infrastructure projects.





## What are ladder trays and when should they be used?

Ladder trays can support substantial cable loads over long distances without additional support, making them suitable for facilities with extensive



## Best practice guide to cable ladder and cable tray

Cable ladder and cable tray systems The following recommendations are intended to be a practical guide to ensure the safe and proper installation of

## Contact Us

---

For datasheets, pricing, or custom telecom energy solutions, please visit:  
<https://koskolong.co.za>