



**Adam Tas Corridor Energy**

# **Can routers and switches be connected using fiber optic cables**





## Overview

---

The short answer is no - RJ45 connectors are designed for electrical Ethernet signals, while fiber optics transmit light pulses through glass or plastic. If you have multiple Ethernet switches that need to be connected over long distances, fiber is obviously a preferred choice. To connect your fiber optic cable to a router, ensure you have the following: Fiber optic modem (ONT): Most fiber connections require an Optical Network Terminal (ONT), provided by your ISP. Is it possible to connect a router and a switch using fiber-optic cable in Packet Tracer?

Second question: Is there a way to connect a router and a switch using fiber-optic cable?

I am trying to connect a switch that has multiple servers connected to it to a router.



## Can routers and switches be connected using fiber optic cables

---



### 3 FAQs of Connecting Switches by Fiber Optical Ports

Can two switches with optical ports be directly connected by optical fiber? Yes, the main line of the optical fiber LAN is a direct switch, followed by a

### Basics of Computer Networking

Routers and switches control the flow of information. Transmission media carry data from one device to another. Wired media includes Ethernet and



### What is a Network Node? , Definition from TechTarget

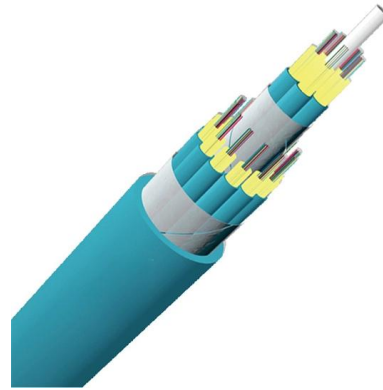
In cable systems, nodes use fiber optic cable to connect to businesses and homes served by a common fiber optic receiver within a geographic location.

### Frontier Fiber Internet: Plans, Pricing, Speeds, and

Frontier Fiber Internet is a high-speed internet service that uses fiber-optic cables instead of old



copper lines. Fiber-optic cables send data using light,



Ordering information

MO	1	2	3	4	5	6
Model	SP1201	SP1202	SP1203	SP1204	SP1205	SP1206
Product name	Patch Panel	Patch Panel	Patch Panel	Patch Panel	Patch Panel	Patch Panel
Illustration						
HU	1	2	4	1	2	4
Maximum number of ports	144	288	576	144	288	576
Product size (including module and adapters)	452.0*165*144 mm	452.0*165*181 mm	452.0*165*177 mm	452.0*165*144 mm	452.0*165*181 mm	452.0*165*177 mm
Standard color code	RAL9005	RAL9005	RAL9005	RAL9005	RAL9005	RAL9005
Inventory	2	2	2	2	2	2

## How Are Network Switch Connect To Fiber

Introduction Network switches play a crucial role in connecting devices within a network, enabling seamless communication and data transfer.

## Cisco Optics , Transform Your Network

Pluggable optics enable high data-rate transmission between servers, switches, and routers. Get performance-leading optical transceivers for any network with Cisco



## Can You Use Fiber Optic Cable with RJ45? , Fiber vs

Many people ask the same question: Can you use a fiber optic cable with an RJ45 port? The short answer is no - RJ45 connectors are designed for



## Connecting Network Switches via Fiber

Choose an SFP module based on the fiber optic cabling that will be connected to the network switches. SFP transceiver modules almost always require two fiber optic



## Virgin Media Hub 5 and 5x - Everything You Need to Know

Setup Process - Cable vs Full Fibre Virgin Media uses two different installation routes, based on the connection type at your premises: Hub 5

## Local area network hardware

GCSE Eduqas Networks - Eduqas Local area network hardware Devices can be networked using different hardware, such as routers, hubs, switches, gateways

190X95X25mm



## The Ultimate Guide to Structured Cabling Installation

Voice & Data Cabling: Installs phone and internet connections using Ethernet or fiber optic cables.  
Security System Cabling: Uses low-voltage cables



## Virgin Media Hub 5 and 5x - Everything You Need to Know

Virgin Media Hub 5 and Hub 5x routers explained and reviewed: full specs, setup steps, Wi-Fi features, troubleshooting tips and the key differences.



## Best Routers For Fiber Optic Internet , Verizon Business

Find the best routers for fiber optic internet to maximize speed and security. Ensure seamless business connectivity with top-performing equipment. Explore options now!



## What is Ethernet: networking guide with speeds and

What Is Ethernet? Ethernet is a networking technology that includes the protocol, port, cable, and computer chip needed to plug a desktop or laptop



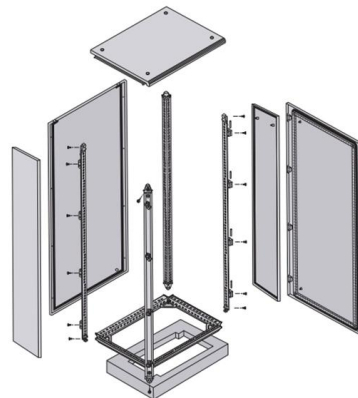
## HMS Networks

HMS creates products that enable industrial equipment to communicate and share information with software and systems. In short: Hardware Meets Software(TM).



## Is it possible to connect a router and a switch using fiber

I am trying to connect a switch that has multiple servers connected to it to a router. The switch that I have used already have a GigabitEthernet interface



## Ultimate Guide to Fiber-Optic Patch Cables: Types, Selection, and

Learn about fiber optic patch cables, their types, construction, applications, and how to choose the right one for your network needs.



## Fiber Optic Cables Explained: SMF vs MMF and More

A few years ago, when I first started learning networking, I thought a cable was "just a cable." Then I discovered Fiber Optics and realized this tiny strand of glass is actually the



## Fiber Optic Patch Cord

Fiber Optic Patch Cord In this category, you will find various duplex and simplex LC/SC/FC/ST/Uniboot LC/MDC fiber optic patchcords, which are used to connect



## Cisco Networking for Service Providers

Maximize fiber capacity with open optical line systems and transponder solutions for DCI, metro, long-haul, and subsea transport. Connect people and things with a



## ONT What is it and how is it used in a fiber network?

Learn what an ONT is, how it connects fiber Internet to your home, and what to use instead if you have cable Internet. Explore fiber vs. cable options here.



## How to Connect Fiber Optic Cable to Router: Complete

By following this detailed guide, you've not only learned how to connect fiber optic cable to router properly but also how to optimize and maintain



## How to Connect Fiber Optic Cable to Router: A Step-by

However, setting up a fiber optic connection to your router can seem daunting if you're unfamiliar with the process. In this guide, we'll walk you through

## A Complete Buying Guide to Fiber Optic Switches

A Guide to Buying Fiber Optic Switches A switch is an integral part of a network which establishes connectivity among various connected devices on the network



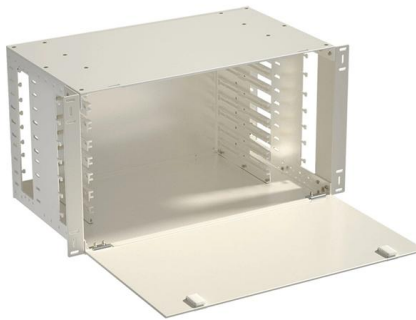


## How Many Core In Fiber Optic Cable Do I Need

For example, if you have three optical fiber access switches, you need to have three cores. (actually use a four core optical cable) This is because apart

## How Are Network Switch Connect To Fiber

This article aims to provide a comprehensive understanding of how network switches are connected to fiber optic cables, the types of fiber optic connectors used, and the configuration

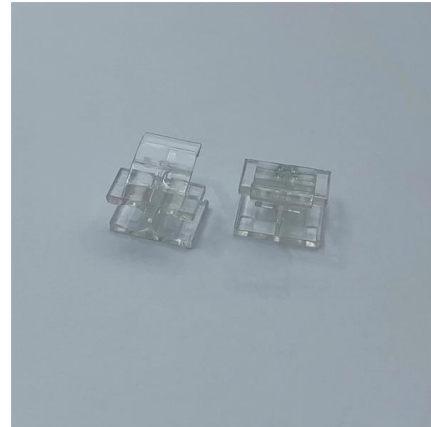


## Topology for LAN switches using fiber

An economic compromise on star topology to provide resilience is to link each switch directly to the core but also link to one other switch as a backup path - must make sure that spanning

## Set Up a Fiber-Optic Network in Your Home or Office

This article will give you an overview of the use cases for fiber-optic networking, some of the terms used in fiber networking, and suggestions for

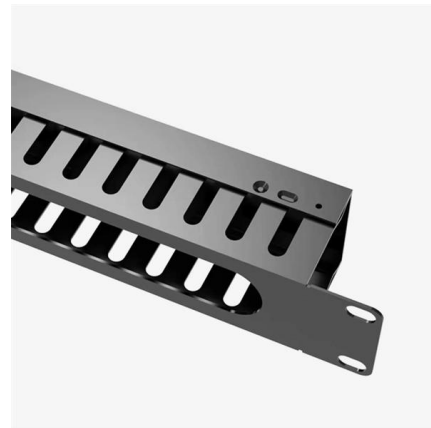


### **What equipment is needed for fiber optic internet?**

Fiber optic internet is the fastest, most reliable, and newest internet connection technology. More and more people use fiber optic internet in their

### **Adtran**

Powered by our fiber broadband technology, Quickline is aiming to connect 500,000 premises, passing up to 12,000 homes every month. Together, we're creating real



## **Contact Us**

---

For datasheets, pricing, or custom telecom energy solutions, please visit:  
<https://koskolong.co.za>