



Adam Tas Corridor Energy

Case Study of AC Power Supply Conversion in Argentina s Data Center





Overview

With rapid development of data center industry, achieving low energy consumption and costs become important.



Case Study of AC Power Supply Conversion in Argentina s Data Cent



Energy Systems in Data Centers

Explore energy systems in data centers, focusing on efficiency, sustainability, and innovations in power management to optimize performance and reduce

Argentina Data Center Power Market , Share & Volume 2032

The data center power market in Argentina includes solutions for power distribution, backup power systems, uninterruptible power supplies (UPS), and energy management solutions.



Argentina Power Market Outlook to 2035: Market Trends

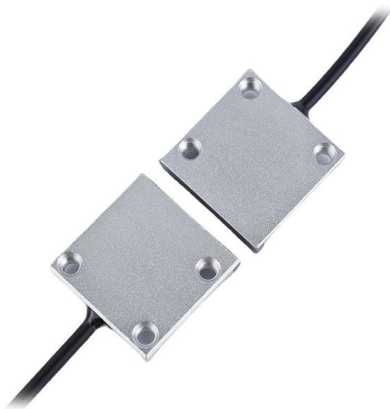
This report discusses the power market structure of the Argentina and provides historical and forecast numbers for capacity, generation, and consumption up to 2035. Detailed analysis of the

TIP technical series , Edition 15 , Direct and alternating power supply

In this context, the conditions need to be



discussed which must prevail, so that savings can be expected. Many studies are based on the North American AC (Alternating Current) power supply system, and



A roadmap for the power supply sector in Argentina

- The electricity supply sector in the context of the Paris Agreement; - An overview of Argentina's electricity sector, including current sector scenarios; - What it means for the electricity sector to move

Business Standard

Hier sollte eine Beschreibung angezeigt werden, diese Seite lässt dies jedoch nicht zu.



380 Vdc Architectures for the Modern Data Center

This paper presents an overview of the case for the application of 380 Vdc as a vehicle for optimization and simplification of the critical electrical system in the modern data center.



Power dispatch assessment of a wind farm and a hydropower plant: A case

Real case study in Argentina shows benefits of the minute-by-minute control policy. This work aims to analyze the complementary operation between an existing hydropower plant and a



A roadmap for the power supply sector in Argentina

For example, the power sector transformation presents opportunities for Argentina to seize regional (and global) technology leadership in the development and commercialisation of

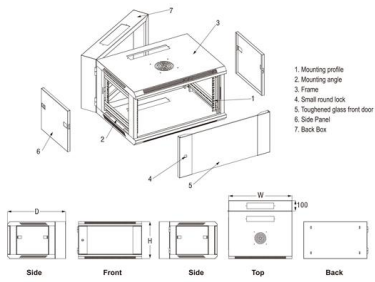
Data Center GaN Applications: AC/DC Power

GaN-based AC/DC converters offer superior power efficiency and improved performance over other power conversion solutions for your data center



Argentina Data Center Power Market Size, Share & Forecast by 2028

Argentina is undergoing a structural transformation of its energy infrastructure to support the growth of energy-intensive digital sectors, such as data centers.



Gartner , Delivering Actionable, Objective Insight to

Gartner provides actionable insights, guidance, and tools that enable faster, smarter decisions and stronger performance on an organization's mission-critical priorities.



Redesigning the Electrical Infrastructure Inside Data

One of the most important technologies necessary to make the high-voltage DC infrastructure viable is to convert the 13.8 kV AC grid power to 800

Electricity sector in Argentina

The electricity sector in Argentina constitutes the third largest power market in Latin America. It relies mostly on thermal generation (60% of installed capacity) and





A Case Study of Renewable Energy Resources Assessment Results in Argentina

With the increasing development of renewable energy resources in South America, to analyze "the location", "the quantity" and "the quality" of wind and solar energy resources will, not only benefit for

U.S. , Let There Be Change , Accenture

Across industries and around the world, we're creating better experiences for people using emerging technologies and human ingenuity. Together, we can reinvent anything.



Data Center

Argentina: Revenue in the Data Center market in Argentina is forecasted to hit US\$****bn by ****. Definition: The Data Center market is a critical segment of the technology industry focusing on

unsupervised_topic_modeling/topics /en/17/100/100/topics at

Contribute to annontopicmodel/unsupervised_topic_modeling development by creating an account on GitHub.



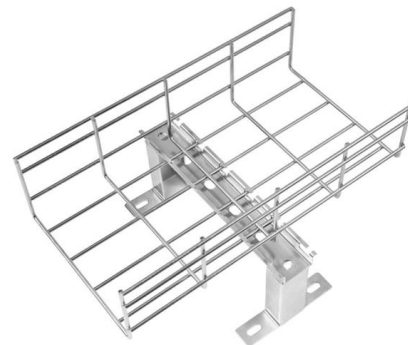
Data Centers in Argentina: Challenges and Opportunities

Discover the current and future landscape of the data center market in Argentina. We analyze trends, challenges, and opportunities in a constantly growing sector.



Power Architecture Evolution in Data Centers

In this paper, we analyze a few examples of converters and topologies which will fit in the new architecture, as well as the technologies and components that enable them.



Data Center Power Supply Systems: From Grid Edge to Point-of-Load

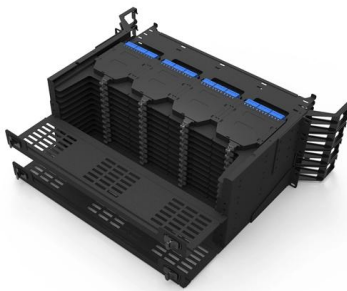
This article presents an overview of the data center power supply system covering the power delivery path from the grid edge to onboard point-of-load (PoL) conversion.





Google News

Stay updated with the latest news and stories from around the world on Google News.



Power Solution Options for Data Center Applications

In this white paper, I will compare the different options and their advantages and disadvantages. One major issue to consider when designing a power supply for server and switch applications is heat.

Contact Us

For datasheets, pricing, or custom telecom energy solutions, please visit:
<https://koskolong.co.za>