



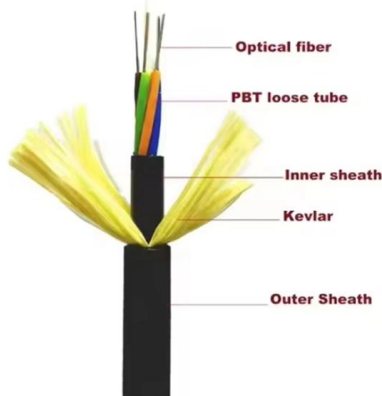
Adam Tas Corridor Energy

Cold splicing steps for fiber optic SC connectors





Cold splicing steps for fiber optic SC connectors

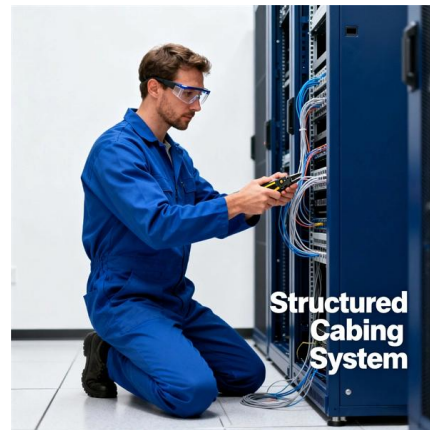


What Is Fiber Optic Cable Splicing? A Beginner's Guide

What is fiber optic cable splicing? Fiber optic cable splicing involves joining two fiber optic cables together. Another method of connecting optical

Fiber Patch Panel (ODF) and High-Density MPO

Technical Role and Design of Fiber Patch Panel A fiber patch panel functions as a centralized interface between external optical cables and internal



Mechanical vs. Fusion Splicing -- What's Best?

Early splicing systems required onerous steps including manual polishing and the application of liquids and epoxy; however, modern systems,

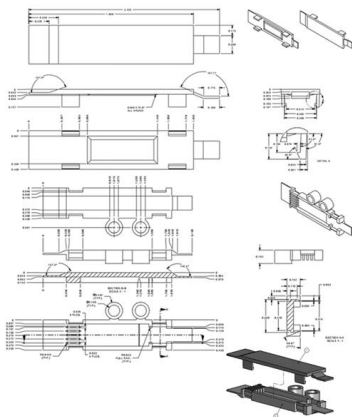
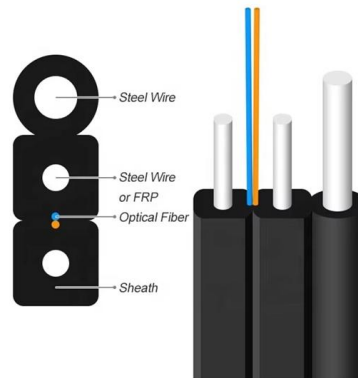


Step by Step Guide

This tutorial shows you the detailed step-by-step guide on how to terminate an epoxy and polish SC connector onto 3mm jacketed fiber.



Including fiber cable



Preparing your Fiber Optic Cable for Connectors or Splices

Learn the essential steps and tools for preparing fiber optic cables for connectors or splices. Master mechanical and fusion splicing techniques to

How To Terminate Fiber Optic Cable: Connectors & Splicing

Learn how to terminate fiber optic cable using mechanical connectors or fusion splicing. We cover the tools, cleaning, and testing for low-loss connections.



Installation instructions for Splice-on FuseConnect® SC Connector on

Installation instructions for splice-on FuseConnect SC connector on 900um tight buffered fiber optic cable.





FASTSPLICE® LC, SC, and ST Connectors for 900 mm Fiber

Fiber stripper devices have pre-configured Splice-On Connector (SOC) settings. Consult the user guide and setup menu of the device in use for available settings.



Fiber Cable Mechanical Splicing Guide Using Fiber

Learn how to perform mechanical fiber cable splicing inside fiber enclosures using fiber splice trays. This step-by-step guide covers fiber

CONNECTOR TERMINATION AND ASSEMBLY INSTRUCTIONS

CONNECTOR TERMINATION AND ASSEMBLY INSTRUCTIONS AFL's FASTConnect® SC, LC and ST connectors. Read these instructions carefully before proceeding. Termination instructions are



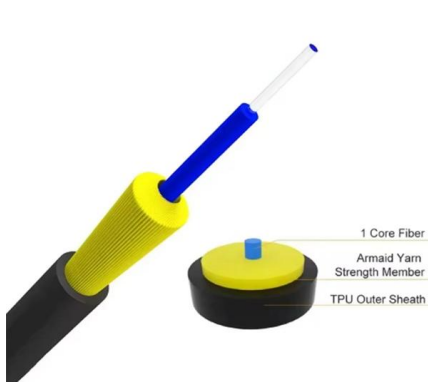
SC Fiber Optic Connectors

After polishing, remove the connector from the polishing jig, clean the ferrule and insert it into the fiber MICROSCOPE. The fiber should be free of epoxy and scratches and be flush with the domed end of



Master the Art of Fibre Optic Splicing: A Practical Guide for Beginner

Fibre optic splicing is an essential skill in the world of modern telecommunications, offering a reliable method to connect optical fibres for seamless data transmission. As the demand



How to Terminate Fiber Optic Cable with SC Fast

In this guide, we will walk you through the step-by-step process of terminating a fiber optic cable with an SC fast connector. Step 1: Gather the

Principle of Fiber Optic Splicing: A Detailed Guide

Fiber optic cables are the lifeline of modern telecommunications, delivering high-speed data with minimal loss. However, installing and maintaining





How to Terminate Fiber in Seconds

You'll learn to prepare your fiber before inserting it into the connector for termination and how to set up and use the SimplyFiber tools to successfully terminate your cable.

Fiber Splicing Methods and Protection with Splice Closures

Discover the differences between fusion and mechanical splicing, learn how to ensure safe fiber optic splicing, and see why splice closures are



How To Terminate Fiber Optic Cable Sc?

How to Terminate Fiber Optic Cable with an SC Connector Terminating a fiber optic cable with an SC (Subscriber Connector) is a critical process in building reliable fiber optic networks.

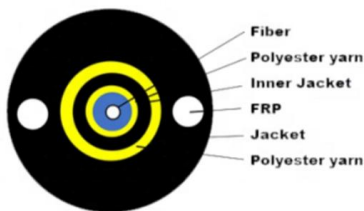
fiber optic cold connection

Fiber optic cold connection, also known as mechanical splicing, is a widely used method of connecting optical fibers in a network. Unlike fusion splicing, which uses heat to join two optical fibers



SC Connector Fiber Optic Termination Guide

The document describes the process for terminating a fiber optic cable using a Corning field-installable SC connector. It involves 10 major steps: 1) preparing the



Amazon : Fiber Optic Tools

Fiber Optic Cable Tester Portable Optical Fiber Power Meter FC/SC/ST Universal Interface Integrated OPM, VFL, and RJ45 Functions (OPM-VFL-1) 500+ bought in past month Add to cart Jonard Tools



Fiber Fast Connector Buying Guide: SC/APC Cold Connector Types

Fiber fast connectors (also called mechanical splices or cold connectors) are essential components in FTTH deployments. This comprehensive guide covers SC/APC vs SC/UPC fast



Optical fiber cold splicing and hot melting steps

Optical communication is now the dominant network transmission method in society, which is nothing more than because it has many advantages and is now a new transmission



Terminating a Corning Field Installable SC connectors

Corning field installable SC connectors feature a pre-radiused Zirconia ferrule. This pre-radiused ferrule makes high quality field termination possible. This tutorial

SC Connector Fiber Optic Termination Guide

The document describes the process for terminating a fiber optic cable using a Corning field-installable SC connector.



Contact Us

For datasheets, pricing, or custom telecom energy solutions, please visit:
<https://koskolong.co.za>