



Adam Tas Corridor Energy

Common Server Racks in Network Data Centers





Overview

There are three primary rack types - open-frame racks, enclosed cabinets, and wall-mount racks, each suited for different levels of security, cooling, and equipment density. Selecting the right rack requires evaluating its height (U), depth, width, weight capacity, airflow design, power integration. A network rack (also called a server rack) holds networking equipment such as servers, modems, uninterruptible power supply (UPS) units, routers, network switches, and audio and video equipment. A server rack, also known as a server cabinet, is a specialized metal frame structure designed to store and organize IT equipment.



Common Server Racks in Network Data Centers

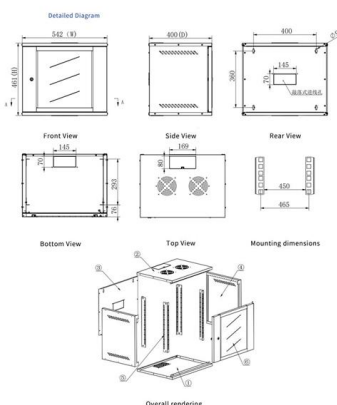
Server Rack Buying Guide: Everything You Need To Know

This server rack buying guide will help you understand what a server rack is and key factors for your data center environment or IT closet.



Data Center Server Rack: The Ultimate Guide

Server racks are critical for data centers, providing essential support, cooling, power distribution, and security for IT systems. Choosing the right server



Understanding Different Types of Data Center Racks:

Here's a comprehensive guide to the different types of data center racks, their respective use cases, designs, benefits, and disadvantages.

SYSRACKS Official Store: Racks, Cabinets & Accessories

Official Sysracks Online Store Select products In our online shop, you'll find server racks and



cabinets that perfectly match 19-inch networking and server hardware



Differences Between Server, Network, & Data Racks & Cabinets

Commonly found in data centers or on-premise networking closets, network racks are designed to hold networking equipment outside servers like switches, patch panels, and routers.

ESTEL Guide to Choosing the Best Server Rack for

Choose the best data center server rack by considering size, cooling, security, and scalability to optimize performance and future-proof your setup.



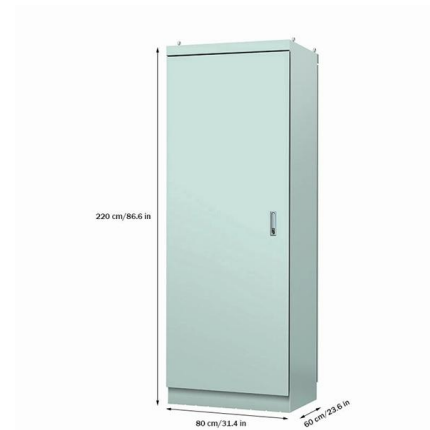
Data Center Server Rack: The Ultimate Guide

Master the art of data center server rack management with our ultimate 2024 guide. Rack selection, organization, and optimization with ENCOR.



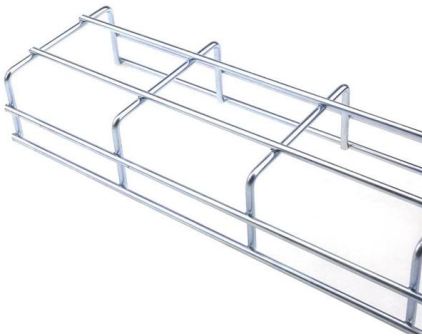
Server Racks & Network Cabinets: The 2026 Infrastructure Guide

Optimize your data center with Weunion's high-performance server racks and network cabinets. Explore our 2026 guide on wall-mount, floor-standing, and open-frame enclosures. Expert



7 best server racks for a strong IT infrastructure

Server racks provide a standardized structure for organizing servers, storage arrays, networking devices, and other hardware components. In



Data Center Design Overview: Cabinet Layout, Rack

Learn the basics of data center design. We provide an overview of cabinet layouts, rack design, & answer the question - How many racks fit in a



Network Rack Installation 101 - VCELINK

They are used mostly in data centers, server rooms with controlled access, or in public areas. If you are looking for a smaller server rack for limited



Data Center Cooling: Trends and Insights for 2026

Explore key data center cooling trends for 2026, including liquid cooling, AI demands, and energy-efficient strategies.



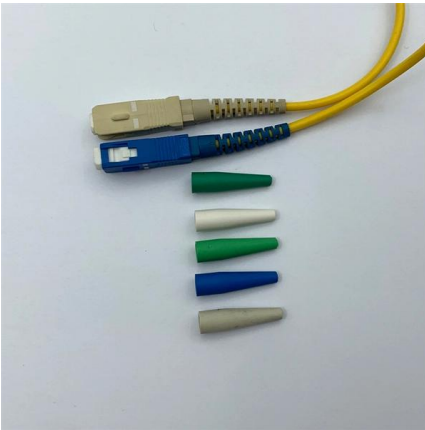
Server Rack Sizes: The Complete Guide to Standard,

Below is a comprehensive, fully detailed guide covering all standard server rack sizes, form factors, height considerations, depth classifications, and

Servers, Racks, and Data Centers

A clear and grounded look at how server racks and data centers work. Learn about rack types, layout strategies, infrastructure components, and emerging trends





Best Practices Guide for Energy-Efficient Data Center Design

This guide concludes with a section on metrics and benchmarking values by which a data center and its systems energy efficiency can be evaluated. No design guide can offer "the most energy-efficient"

Data Center Racks, Cabinets, and Cages: An In-Depth Guide

Inside a data center, a labyrinth of servers and high-tech networking gear are arranged in specialized racks, secure cabinets,



A Guide to Server Rack Sizes for Data Centers

However, the most common server rack size you'll encounter in data centers is 42U. A 42U rack is one designed to accommodate 42 servers (the "U"

The Complete Guide to Server Racks: Functions,

Server racks are more than IT equipment "containers"--they are the backbone of high-density, reliable, and sustainable data centers. By combining



6 Advanced Data Center Cooling Systems Built for AI Workloads

Explore the top data center cooling systems that prevent server overheating, maximize GPU compute power, and future-proof your hybrid cloud.

Data Center Server Rack Guide (2026): Types, Design,

Learn everything about data center server racks--definitions, rack types, airflow design, power integration, cable management, and a full buying



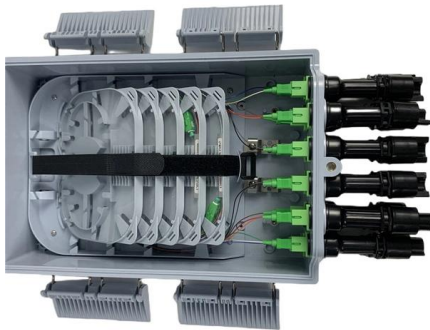
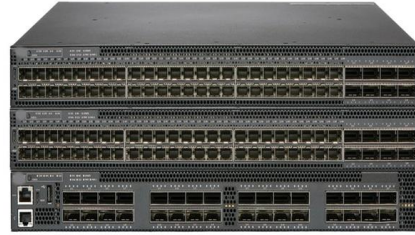
Types of racks for Data Centers

As the demand for data processing continues to grow, so does the need for more sophisticated racks tailored to different requirements. Below, we explore the most



Waterproof Outdoor Server Racks , Outdoor Network Cabinets , AZE

AZE's 19" outdoor server racks and outdoor network cabinets are ideal for protecting sensitive network systems from any damage due to impacts and harsh climatic conditions. These are manufactured



The Ultimate Guide to Choosing the Best Server Racks for Your Data

Server racks are critical for data centers, providing essential support, cooling, power distribution, and security for IT systems. Choosing the right server

A Guide to Server Rack Sizes for Data Centers

This guide deciphers the best server rack sizes for optimal data



Data Center Racks, Cabinets, and Cages: An In-Depth Guide

Server racks are categorized into four main types: open frame racks, enclosed racks, wall mount racks, and OCP racks. Each



A Free Guide to Data Center Racks

Learn how to choose data center racks, their technical features, and maintenance considerations for optimal performance and efficiency.

Length:14.5mm
Small-end inner diameter:2.0mm
Large-end inner diameter:3.5mm
Outer diameter:5.2mm



What Is Server? Types, Functions, and Why They Matter

These servers are designed to minimize energy consumption and reduce carbon footprints. Innovations in cooling technologies, such as liquid



The Ultimate Guide to Choosing the Best Server Racks

Choosing the best server racks for your network infrastructure is crucial for optimizing performance and cost. Explore our range of server racks designed to meet your





Server Rack Cabinets Sizes: Depth, Width, & Height

Get a comprehensive guide on server rack cabinet sizes and dimensions. Understand the depth, width, and height requirements to fit your IT

Contact Us

For datasheets, pricing, or custom telecom energy solutions, please visit:
<https://koskolong.co.za>