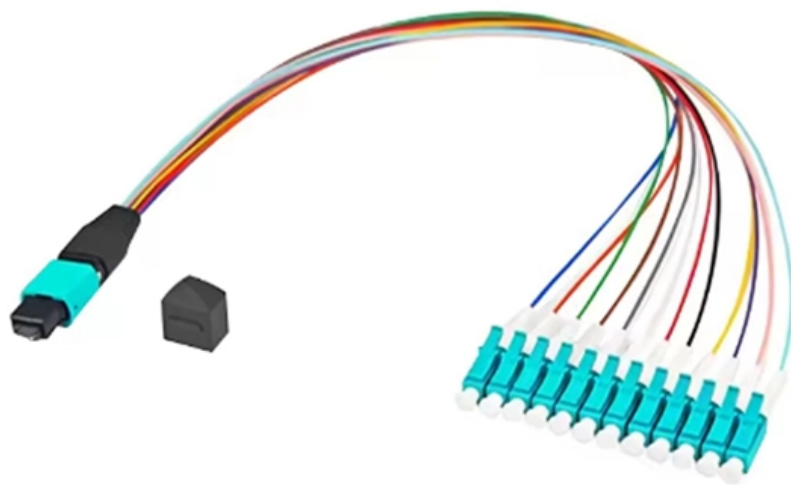




**Adam Tas Corridor Energy**

# **Commonly Used Pigtail Processors in Power Communication**





## Commonly Used Pigtail Processors in Power Communication

---



### How to Make Pigtail Electrical Wire Connections

How to Make a Pigtail Wire The National Electric Code requires a pigtail wire to be least six inches long. Electricians often cut their own pigtails

### Complete Pigtail Bolt Guide: Essential Knowledge for

Pigtail bolts are indispensable specialized fasteners used in the construction of transmission and distribution line poles and towers, widely applied



### Pigtail Connectors: Definition, Types, Applications

This article will focus on pigtail connectors, from its definition, types, application areas and future development trends and other aspects of a detailed discussion.

### The Ultimate Guide to Fiber Pigtail

They are commonly used in fiber amplifiers, fiber lasers, and other high-speed communication devices. Each type serves different applications and



### **pigtail connector**

Discover the ultimate guide to pigtail connectors: types, applications, and best practices for electronics manufacturing. Learn more about pigtail connector solutions.

### **Question**

Pigtails contain two additional grounding wires, which in turn essentially double the Amperage rating of PCI-E power cable (from 2.083A to 4.167A) and thus, double the wattage



### **Common Wire Splices and Joints Guide**

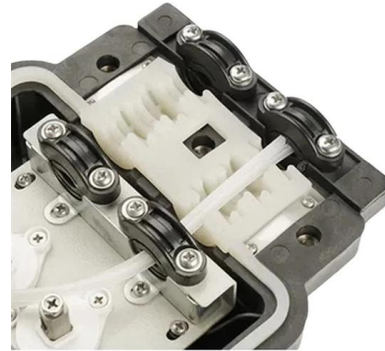
It describes 8 different splices/joints - rat tail or pig tail, Y-splice, knotted tap, plain tap joint, aerial tap, duplex cross joint, western union short-tie splice, and western





## What Is a Pigtail Connector? Types and Applications , CZT

Learn what a pigtail connector is, explore electrical and fiber optic pigtail types, pigtailling outlets, pigtail splicing techniques, and how to choose the right one for your project.

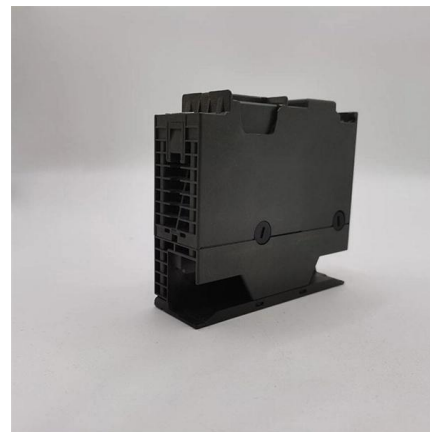


## Untangling the Mystery: What are Pigtail Connectors

In this article, you will learn useful information about pigtail connectors, including the different types of them, the way they work and their usages.

## What Is Electrical Pigtail Connection

To effectively power these components, electrical wiring must be properly installed and maintained. In many cases, electrical wiring requires a



## The Complete Guide to Pigtail Fibers: Simplifying

Pigtail fibers are the quiet enablers of modern connectivity, bridging devices to networks with precision and reliability. From 5G cell towers to AI data



## What Is a Pigtail Connector: Types, Uses, and Selection

Explore the pigtail connector: their uses, types, and how to choose the right one for your project. Get expert advice today!



## pigtails electrical connection

Understand the importance of pigtails electrical connection in electronics. Follow our step-by-step guide to ensure efficient and safe connections.

## Understanding Types of Pin Connectors and Their

They are widely used in communication equipment, computers, automotive electronics, and medical equipment, such as power sockets, signal



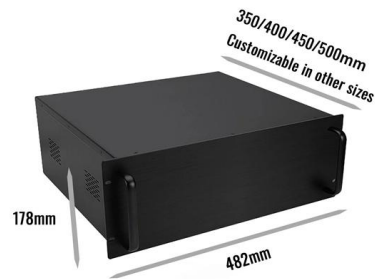


## What is a Fiber Pigtail and Its Role in Networking?

Role in Networking Fiber pigtails play a crucial role in optical fiber communication networks, mainly serving the following purposes:  
Connection Function: Fiber pigtails are often used

## A Guide to Understand Fiber Pigtail in 2024

Welcome to our comprehensive guide on fiber pigtails - the crucial components that play a significant role in modern telecommunications and



### LoRawan outdoor base station

- \* Industrial Internet gateway
- \* Compatible with LoRaWAN network.
- \* ClassA/B/C mode
- \* Support 8/16 channel
- \* Supports PoE power
- \* supply and backup battery power supply
- \* 10KV lightning protection



## Exploring The Pigtail Connector And Its Applications

Overall, the operation of pigtail connectors revolves around their ability to establish and maintain electrical connections between devices, enabling the seamless transmission of power and

## pigtail connector

From factory robots to home appliances, these critical parts maintain uninterrupted power flow. They enable technicians to extend circuits safely and repair damaged lines efficiently.



## What Is a Pigtail Connector: Types, Uses & Guide

By simplifying splicing, providing flexibility in tight spaces, and maintaining signal integrity, pigtail connectors are widely used in RF, fiber optic, electrical, and automotive systems



## What Is a Pigtail in Electrical Wiring? A Complete Guide

Pigtails are commonly used in scenarios like connecting multiple wires, upgrading outlets or switches, and managing space constraints in electrical



## Comprehensive Guide to Fiber Optic Pigtails , Gezhi Photonics

ST fiber optic pigtails are a favorite for multimode fiber optic LAN applications and are commonly seen in telecommunications, industry, medical, and sensor fields. By Application





## Top 12 most commonly used IoT protocols and standards

Top 12 most commonly used IoT protocols and standards Not every IoT communication protocol is right for every deployment or device. Consider the



## The Ultimate Guide to Pigtail Cable Assemblies and

Explore the ultimate guide to pigtail cable assemblies and connectors, covering types, applications, pricing, and available options for optimal

## Understanding Fiber Pigtail Connectors: Types,

Discover the types, installation process, and advantages of fiber pigtail connectors. Learn about single-mode and multimode fiber pigtails.



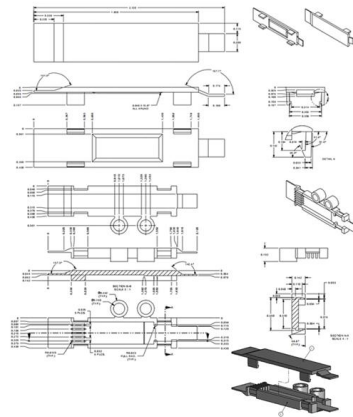
## What Is a Pigtail Wire and When Do You Need One?

Pigtails are also commonly used for grounding, linking the bare circuit ground wires and the metal box to a single green insulated pigtail that terminates at the device's grounding screw. After connecting, the



## Real-Time Communication for Industrial Applications

These MAC implementations support a wide range of industrial communication needs and are available across a scalable processor family, ranging from single-core Arm microcontrollers to multi-core Arm



## What Is a Pigtail in Electrical Wiring?

Learn what an electrical pigtail is and why this short jumper wire is essential for safe, code-compliant connections in home wiring projects.

## Contact Us

---

For datasheets, pricing, or custom telecom energy solutions, please visit:  
<https://koskolong.co.za>