



Compatible and energy-efficient QSFP optical module supplier in Sr



SFP Optical Transceiver Products , Syrotech Networks

Syrotech Networks is market leader in manufacturing and supplier of sfp module, optical transceiver, sfp port, sfp optical transceivers, fiber sfp.

QSFPTEK Online Store for Optical Transceivers

The official store for QSFPTEK. We provide compatible optical modules with online shopping function.



SFP vs QSFP: The Definitive Technical and Strategic Guide

Decisions regarding optical transceivers, commonly referred to as optical transceivers, will mark a pivotal turning point for network architects. A poor choice of form factor can waste millions

400G OSFP/QSFP-DD/QSFP112 Module Introduction and Selection

This article explores the technical characteristics, product lineup, and use cases of 400G



OSFP/QSFP-DD/QSFP112 modules to choose the most suitable 400G solution for your data centers.



Comprehensive Guide to QSFP - MapYourTech

QSFP modules employ various optical connector types depending on the application and reach requirements. The mechanical interface must ensure



QSFP+ Optical Transceivers

Our QSFP transceivers are used to support Ethernet, InfiniBand and fibre channel connections and transmit data up to 100Gbps.



40G QSFP+ Optical Transceivers , Transceiver Modules

Cisco QSFP-40G-LR4 Compatible 40GBASE-LR4 QSFP+ Optical Transceiver Module (SMF, 1310nm, 10km, LC, DDM) Cisco QSFP-40G-LR4 Compatible QSFP+ optical transceiver modules from



The Ultimate Guide to Cisco QSFP Optical Transceiver

Efficient and consistent data transmission is significant in the rapidly changing technological environment. Without a doubt, in high-speed networking



QSFP28 Transceiver: Complete 100G Connectivity Guide (2026)

QSFP28 transceiver guide covering module types, pricing, compatibility, and deployment. Learn how to choose, deploy, and troubleshoot 100G QSFP28 optics.

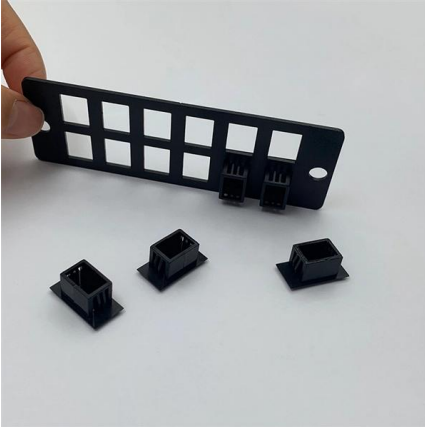
Global QSFP Optical Transceiver Market 2025

Global QSFP Optical Transceiver Market Overview QSFP optical transceiver is a four-channel small pluggable optical module with four independent full-duplex



Transceivers Explained: SFP vs SFP+ vs SFP28 vs QSFP+ vs QSFP28

ProLabs delivers high-quality, rigorously tested, and fully compatible optical solutions. Understanding the differences between SFP, SFP+, SFP28, QSFP+, and QSFP28 is key to building



QSFP-DD Optical Transceivers Unlocking Faster

QSFP-DD Optical Transceivers deliver up to 800Gbps speeds, offering high bandwidth, energy efficiency, and compatibility for modern networks

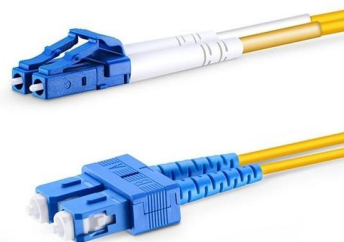


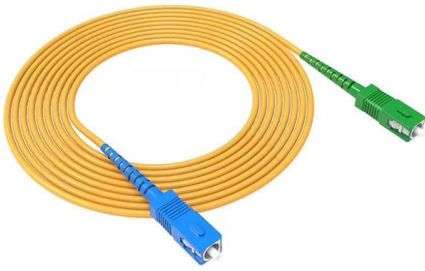
Exploring the World of QSFP Transceivers: Cisco

Discover the world of QSFP transceivers with Cisco-compatible solutions for MMF optical networks. Learn about high-density Ethernet options for

40G QSFP+ Transceiver Modules , Optical Transceivers

FS 40G QSFP+ optical transceiver module solutions offer a full range of QSFP+ modules from 150m to 80km reach, and used for high-density switching, routing





QSFP-DD Optical Module Overview: What is the differ?

QSFP-DD technology increases the bandwidth and maximum transmission rate of the module based on the appearance of the QSFP system.

Optical Transceivers , Network Solutions for AI Cluster,

This article explores how to interconnect OSFP and QSFP-DD ports in 400G/800G networks, covering key principles, form factor differences, and practical solutions

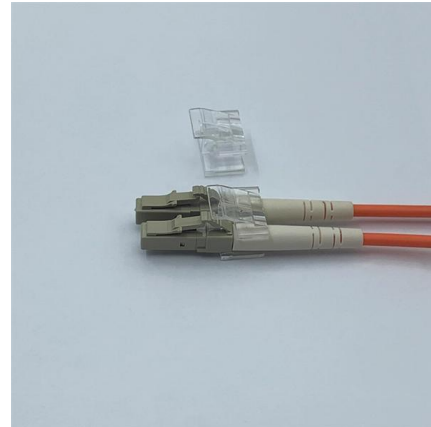


SFP vs QSFP: Choosing the Right Optical Transceiver for Your Data

Discover the key differences between SFP and QSFP modules. Learn which optical transceiver is best suited for your data center, whether you're looking for cost-effective SFP solutions

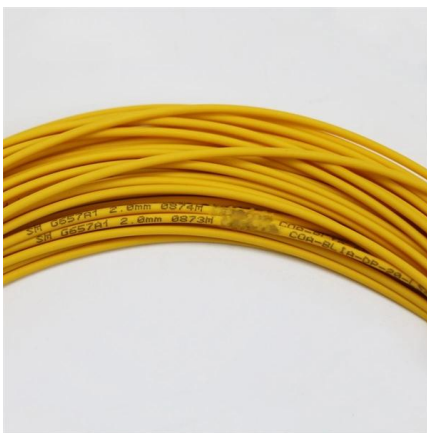
QSFP vs SFP: Which Optical Transceiver Should You Choose in 2025?

As modern enterprise networks scale up to handle increasing data loads and higher bandwidth requirements, the choice of optical transceivers becomes critical. Among the most



Discover the Power of Dell QSFP Optical Transceiver

Explore Dell QSFP optical transceiver modules designed for seamless network integration. These hot-pluggable transceivers deliver reliable fiber



SFP+ and QSFP+ Success: How to Choose MSA

This proven guide shows you how to select SFP+ and QSFP+ modules that work -- every time -- with full MSA compliance.



NVIDIA Optical Modules Buying Guide: QSFP-DD vs OSFP 800G

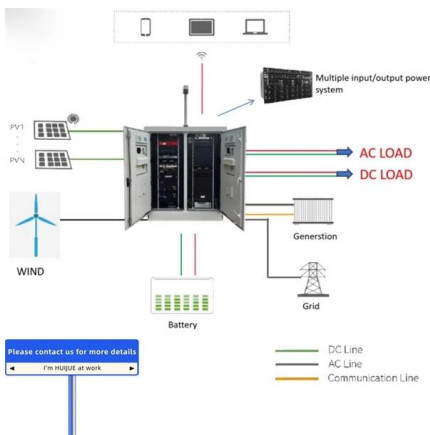
Comprehensive guide to NVIDIA optical modules covering QSFP-DD and OSFP 800G solutions. Learn about compatibility, deployment considerations, and technical specifications for





40G QSFP+ TRANSCEIVERS , Smartoptics

All Smartoptics QSFP+ transceivers are compatible with major switch vendors, ensuring seamless integration into existing network architectures. With Smartoptics transponders, QSFP+ transceivers



QSFP, QSFP+, and QSFP28: What You Need to Know

If you're looking for the most advanced optical module package on the market, look no further than QSFP. QSFP+ and QSFP28 are the two latest

QSFP, QSFP+, SFP, SFP+ transceiver modules and

Relying on its sharp market insight, strong R& D capabilities and continuous efforts, QSFPS has become one of the leading supplier for QSFP+ transceivers,



Contact Us

For datasheets, pricing, or custom telecom energy solutions, please visit:
<https://koskolong.co.za>