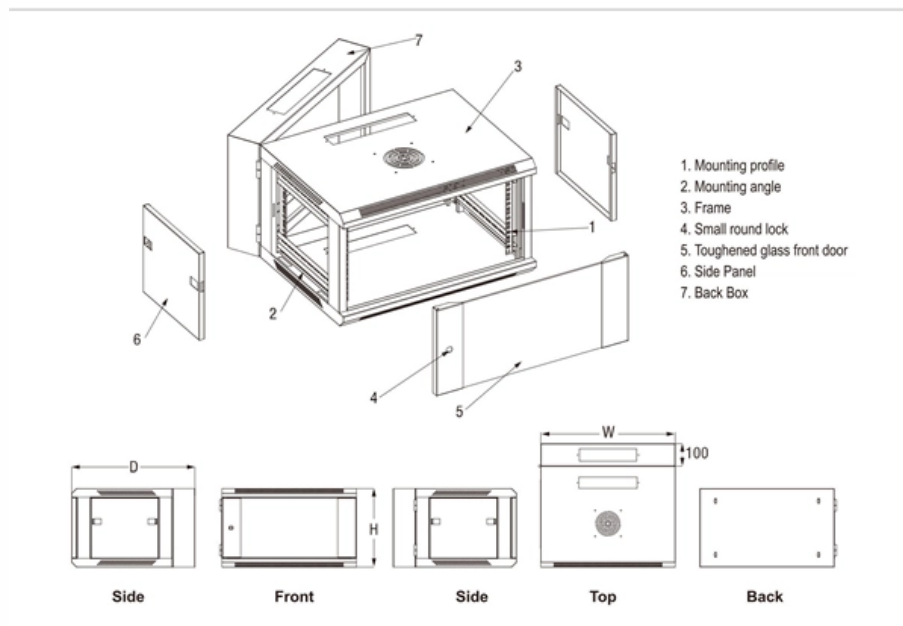




Composite Cable Tray Cabling Installation





Composite Cable Tray Cabling Installation



A Guide to Installing and Supporting Electrical Cable Trays

This guide covers the critical steps, from selecting the right electrical cable tray and performing accurate cable fill calculations to managing a safe cable pull through

Best Practices for Installing Cables in Trays

Learn the best practices for installing cables in trays. This guide covers essential steps, technical requirements, and key details for efficient cable



Mastering Cable Tray Installation , Step-by-Step Guide for a Seamless

Learn how to install cable trays correctly. Get the ultimate step-by-step guide on setting up a seamless and reliable cable management system.

Cable Tray Installation

Learn everything about cable tray installation with our complete guide. Discover types, steps, and safety tips for efficient electrical cable



GRP Cable Trays , Lightweight & Non-Conductive

GRP cable trays for supporting and protecting power and data cables. Lightweight, non-conductive, corrosion resistant and easy to install.



The Complete Guide to Cable Trays , Snake Tray

Snake Tray is the leader in cabling utility-grade solar installations. We are the only manufacturer to offer above ground, open air cable conveyance for high ampacity



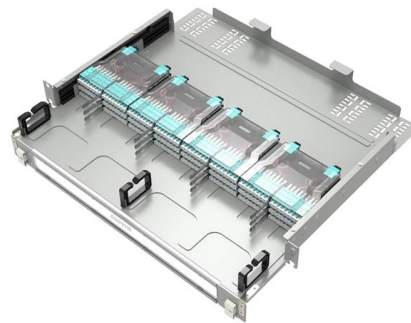
Fiber Cable Tray System

Installation and maintenance of cable tray wiring systems should be performed by a minimum of two qualified technicians. For the purposes of this guideline, a qualified technician is one who is familiar



EFG Composites

Products / Cable Management System Cable Management System EFG Composites known for the quality performance of its fiberglass products be it Ladders, Cable Trays, Etc. It is a company



Ultimate Guide to Cable Tray Selection - Types,

Learn how to choose the best cable tray system for your needs. Explore types, materials, installation tips, and NEC compliance in this expert guide.

Cable Tray Systems: Requirements and Best Practices

Comprehensive guide to cable tray systems requirements: tray types, materials, loading, supports, bonding, routing, and best practices for safe electrical cable management.





Sanskriti Composites Private Limited

These cable trays are used for heavy power cables and instrument cables. ARC cable trays provide a solution for cabling networks that must be upgraded, reconfigured or relocated. The variety and

Mastering Cable Tray Installation , Step-by-Step Guide for a Seamless

Mastering cable tray installation is crucial for creating a safe, organised, and efficient cable management system. By following this step-by-step guide, you can ensure a seamless setup that



DIY Installation: Mastering Light Duty Cable Tray Setup

Explore our comprehensive DIY guide to master the installation of light-duty cable trays. From planning to cable organization, follow step-by-step instructions for a tidy and efficient cable

Cable Tray Technical Guide A practical guide to product selection and

Cable tray length is selected based on the load to be supported, the distance between the supports (also referred to as the span), and handling and installation constraints.



Cable Tray Installation

Whether you're building a commercial setup or upgrading an industrial plant, proper cable tray installation ensures neat wiring, safe access, and easy maintenance. But before you lay the first tray



100+ Essential Questions Answered About Cable Trays:

Discover over 100 expert answers about cable trays, covering key topics like material selection, load capacity, installation methods, and maintenance.



Cable Tray Technical Guide A practical guide to product selection and

A practical guide to product selection and installation This guide for engineers and installers has been developed by ABB as a practical reference regarding cable tray characteristics, installation, and



A Guide to Installing and Supporting Electrical Cable Trays

A professional guide to installing electrical cable tray systems per NEC Article 392. Covers support, securing cables, and fill calculations.



Full guide of cable tray installation and sizing

How to Install Cable Tray: A Comprehensive Guide to Different Cable Tray Types Newlink Cabling Systems - Cable Trays "How to Install Video" US Navy Launched Something That Shouldn't Exist

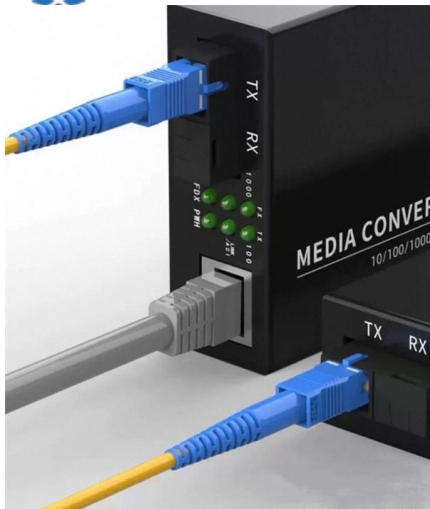
Cable Tray Systems: A Complete Guide to Types

Discover the essential guide to cable tray systems. Learn about ladder, trough, and wire mesh types, key components, and expert installation tips



FRP Cable Tray Installation & Support Guide

This guide focuses on the practical technical parameters for FRP cable tray installation, including tray specifications, support spacing and outdoor



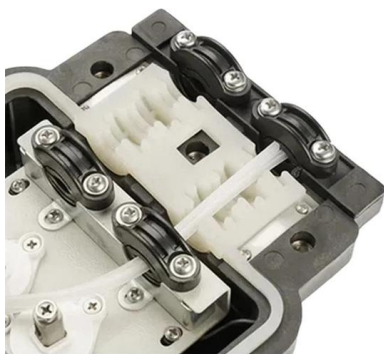
How to install Cable Trays - Best Guide in 2026

Step-by-step on-site guide: learn how to plan, mark, support, and install cable trays correctly, from shop drawing approval to final checks.



Master Cable Tray Installation: A Professional Step-by

Learn how to install cable trays for large-scale projects with our professional, step-by-step guide covering industry standards, safety protocols,



GUIDE CABLE TRAYS TECHNICAL

If it has excellent electrical continuity and is integrated in the installation's equipotential bonding system, a metal cable tray reduces the coupling's impact and thus contributes to good EMC of the electrical



Efficient Cable Tray Installation Methods for Organized

Discover efficient methods for installing cable trays to organize power, data, and security cables. Explore wall, ceiling, and floor mounting options

Contact Us

For datasheets, pricing, or custom telecom energy solutions, please visit:
<https://koskolong.co.za>