



Adam Tas Corridor Energy

Connect to Ic interface





Connect to I2C interface



LC Fiber Optics: A Comprehensive Guide

LC fiber connector products are robust optical solutions designed for telecom applications, encompassing LC fiber connectors, patch cords, adapters,

Interfacing LCD to Arduino-Tutorial to Display on LCD

Interfacing LCD to Arduino - Tutorial on how to interface arduino to lcd screen (16x2 lcd, 20x4 lcd) with arduino code/program, lcd pin diagram and circuit.



LC Connector: The Ultimate Guide to High-Performance Fiber Optic

Among all connector types that drive today's high-speed networks, the LC connector has emerged as the most widely adopted small form factor (SFF) interface. From hyperscale data centers

How to Connect an I2C LCD with ESP32

Learn how to easily connect an I2C LCD with your ESP32 microcontroller in this step-by-step



How to Connect LC Fiber Connectors: A Complete Guide

Properly connecting LC fiber connectors requires attention to detail and adherence to best practices. By following the steps outlined in this guide, you can establish reliable fiber optic links



How LC Connectors Work: A Comprehensive Technical

Introduction to LC Connectors LC connectors are a ubiquitous fiber optic interface, valued for their small footprint and superb optical performance.



How to Connect LC Fiber Connectors in 5 Easy Steps

LC connectors are quickly becoming the connector of choice due to their compact size and outstanding performance. This guide will walk you through





Connect external storage devices to iPhone

Connect external storage devices to iPhone You can use the Files app and other supported apps to access files stored on external devices, such as USB drives and SD cards, connected to your iPhone.



How to Connect an LCD to your Arduino

This how-to article covers the basics of connecting character LCD displays to an Arduino.

How to connect your audio interface to your computer

From the pokiest of bedrooms to the most expensive of cutting-edge recording studios, audio interfaces are pulling serious weight - and now you've



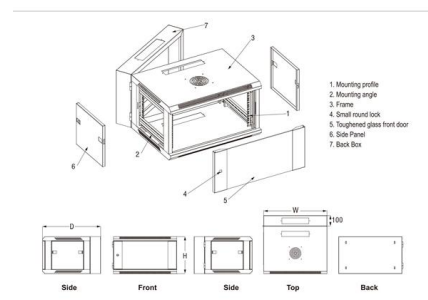
Elgato Cam Link 4K - External Capture Card for DSLR

Elgato Cam Link 4K - External Capture Card for DSLR & Camcorder, ActionCam as Webcam, Meet/Stream/Record in 1080p60 or 4K30/4K60, Easy Connect for



LCD Interfacing with Pic Microcontroller

How to interface/Connect LCD with PIC Microcontroller It can work in two modes, 4-bit and 8-bit. In this tutorial, we have used the 4-bit mode which uses only 4 data



How to Connect LC Fiber Connectors: A Complete Guide

How to Connect LC Fiber Connectors: A Complete Guide LC (Lucent Connector) fiber connectors are small form-factor connectors widely used in telecommunications and data center

LC Fiber Optics: Complete Guide 2026 to Patch Cables,

This guide provides a fully updated and industry-ready overview of LC fiber optics, explaining the origin and design of LC connectors, their key features,



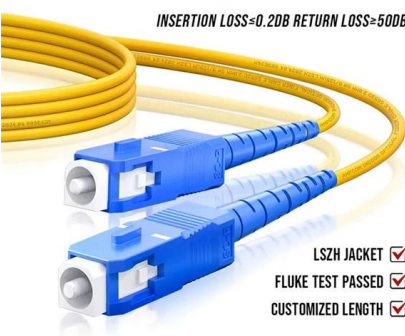
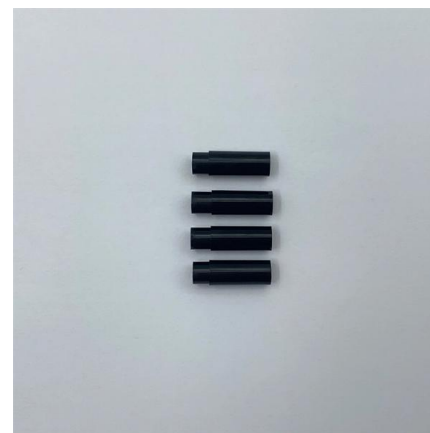


How to Connect LCD to Arduino

The LCD (Liquid Crystal Display) is a commonly used display for Arduino projects, as it provides a simple way to output information to the user

iRacing & Apple Vision Pro: Quick Start and Troubleshooting Guide

iRacing & Apple Vision Pro iRacing now supports immersive high-fidelity racing on Apple Vision Pro via NVIDIA CloudXR. While the simulation continues to run on a dedicated



How to Connect an LCD Display - Interface Types and

A complete guide to LCD display connection methods, including SPI, I2C, RGB, MIPI, LVDS interfaces and physical mounting options. Learn how to

LC Interface Questions

& s2=1& p=armee-de-terre& clic=a& type=click& url=https://dolabuy .kg& rdt=on



Fiber Optic LC connector Definition and Types & User

The LC connector is a small form factor (SFF) connector, which is designed to join LC fibers where a connection or disconnection is required.



LC Fiber Connectors: Types, Applications & Installation

LC connectors provide reliable and high performance connectivity in fiber optic networks. The guide covers in depth their



Interface an LCD with an Arduino

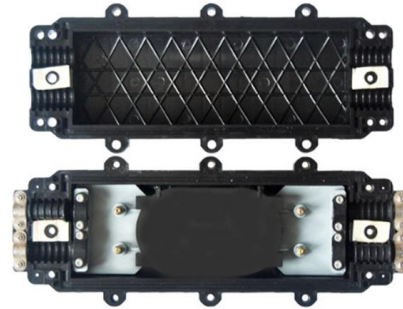
You can easily interface a liquid crystal display (LCD) with an Arduino to provide a user interface.





SFP Fiber Optic Connector Types: LC, SC, MPO Explained

Explore common SFP fiber optic connector types, including LC, SC, and MPO/MTP. Learn their differences, use cases, and compatibility.



LC-LC Fiber Optic Connectors: A Complete Guide with

We will take you through what LC-LC fiber optic connectors are, why they are so popular and common, and how they stack up to other connectors,

Arduino : How to Connect and Control an LCD Displays

The LCDs have a parallel interface, meaning that the microcontroller has to manipulate several interface pins at once to control the display. The interface



How to Connect LC Fiber Connectors in 5 Easy Steps

With the massive growth in data usage and internet traffic, fiber optic networks have become essential for meeting today's connectivity demands. LC



How to Connect LC Connector to Fiber

By following these steps and precautions, you can ensure a reliable and high-quality connection with LC fiber connectors, enhancing the stability and



SFP LC Connector: Everything You Need to Know

What is an SFP LC Connector? Understanding the SFP Fiber Transceiver The SFP (small form-factor pluggable) fiber transceiver is a small,

LC Fiber Connector Guide: Everything You Need to Know , CZT

Learn the LC fiber connector: physical specs, LC/APC vs LC/UPC differences, duplex vs simplex, insertion loss, and why LC dominates SFP and data center cabling.





Contact Us

For datasheets, pricing, or custom telecom energy solutions, please visit:
<https://koskolong.co.za>