



Adam Tas Corridor Energy

Connecting Array Disks to Fiber Optic Devices





Connecting Array Disks to Fiber Optic Devices

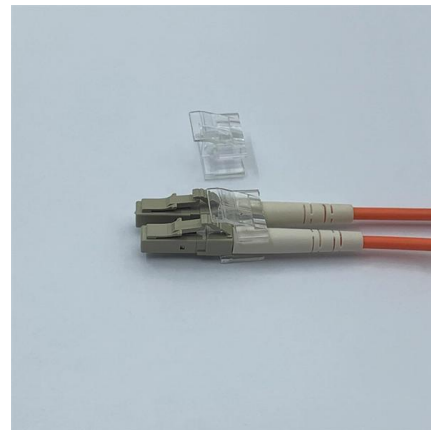


Storage technologies and SAN networks or connecting

FCP runs over Fibre Channel and (predominantly) uses optical (Optical Fiber) cables and special FC switches. An alternative is to use FCoE, where FC

Application Of 8G SFP+ FC Optical Module In SAN

The SAN solution also simplifies management and centralized control, especially when all storage devices are clustered together. Next, ETU-LINK will introduce



The Ultimate Guide to Data Center Fiber Connectivity

Data center fiber connectivity refers to the network infrastructure that enables data transmission between servers, storage systems, and other devices within a data

SAN Design and Best Practices Brocade Fibre Channel

Brocade UltraScale ICL technology preserves Fibre Channel ports for end device connections.



The Brocade X8-8 and X8-4 platforms use Brocade UltraScale ICL with optical OSFPs (Octal Small Form



Optical Transceivers for Storage Networks , AscentOptics

We offers optical transceivers for connecting servers, switches, routers, and firewalls in storage networks.They are compatible, reliable, and high-performance -

Fiber Internet Installation: Step-by-Step Guide (2026)

Fiber internet uses fiber optic cables instead of coaxial cables or metal wires to transmit data. Unlike traditional cable internet, which relies on



Set Up a Fiber-Optic Network in Your Home or Office

Learn about the various fiber-optic components used for running fiber in your house, office, or between buildings. Find out how to use fiber optics for



Fiber Arrays

Fiber arrays are also employed in optical cross-connect switches for flexible data signal routing. Astronomical Telescopes In astronomical applications, fiber arrays



Fiber optic cabling between HCP G11 Nodes and storage arrays

Follow the instructions outlined below to attach fiber optic jumper cables directly from HCP G11 Nodes to storage arrays. The HCP G11 Nodes and the storage arrays must be in the same rack in an

Optical Assemblies and Arrays

Optical Assemblies and Arrays Phillips Medsize, a Molex company, offers optical assemblies and arrays with extremely tight tolerance one-dimensional (V



How to Integrate Fiber Optic Cables Into Your Current Network

Learn how to integrate fiber optic cables into your existing network to improve speed, reduce latency, and increase your system's overall efficiency.



What Is a Fiber Array (FA) and Why Is It Essential in

Discover what a Fiber Array (FA) is, how it works, and why it's critical in optical communication systems. Learn about its structure, types, and applications in

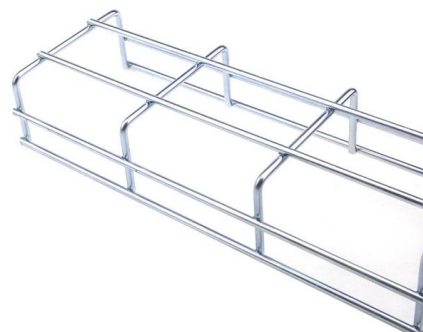


On the Suitability of Fiber Optic Data Links in the Space

Abstract--As NASA, DoD, industry, and others propagate the current spacecraft trends for increasing science data throughput and on-board processing, the use of fiber optic data links between

What is a Fiber Optic Network? A Comprehensive Guide

To connect electronic devices to fiber optic networks, transceivers convert electrical signals into light pulses. Optical networking equipment, such as



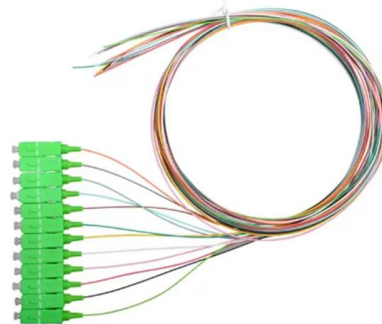


Complete Guide to Fiber Optic Home Networking

Complete Guide to Fiber Optic Home Networking
Fiber optic networks are the backbone of the internet's future. Unlike traditional copper-based

Hyper-V Virtual Fibre Channel in Windows Server

Learn about how Virtual Fibre Channel works and device support in Hyper-V for Windows Server.



Fiber Array Units , FAUs for Next-Generation (Next-Gen)

Learn more about Corning fiber array units (FAUs) delivering ultra-precise fiber alignment with low insertion loss and high optical return loss.

Troubleshooting fibre channel storage connectivity

Verify that the initiator is registered on the array, and that the storage array is configured correctly. You may need to contact your storage vendor for instructions on this procedure.





Enabling Cisco HyperFlex Systems to Coexist with Fibre Channel



The following procedure demonstrates a scenario in which a newly built or existing Cisco HyperFlex cluster connects to an existing third-party Fibre Channel storage device.

Fiber Array Alignment, Photonic Device Assembly, with new Tools

Aligning optical fiber arrays to integrated photonic circuits (PIC) or waveguides quickly and with minimum signal loss is crucial for meeting the demands of the photonics industry.



Comprehensive Guide to Data Center Fiber Optic

Master data center fiber optic implementation with detailed technical specifications, installation procedures, and optimization strategies. Explore advanced

Fiber connection and assembly services for silicon

Fiber arrays are bonded to both ends of the Si waveguide chip, and are mounted in a fixed frame to prevent stress on the connections. It is easy to handle and is



Still the One: Why Fibre Channel Will Remain the Gold

For the past two decades, Fibre Channel has been the gold standard protocol in Storage Area Networking (SAN) and has been a mainstay in the data

Fibre Channel Basics

Fibre Channel Basics Fast, affordable, easy-to-configure storage networks. Fibre Channel is a set of advanced data transport standards that allow large amounts of data to be moved reliably at



MATERIALS AND FABRICATION ISSUES OF OPTICAL FIBER ARRAY

Abstract. Photonic devices are becoming widespread as an advanced information-communications network of the 21st century. With the increased use of photonic devices, there is a need for optical



Contact Us

For datasheets, pricing, or custom telecom energy solutions, please visit:
<https://koskolong.co.za>