



Adam Tas Corridor Energy

Cuban Multimode Optical Attenuator Manufacturer





Cuban Multimode Optical Attenuator Manufacturer



BATi, Multi-mode Fiber VOA

Boston Applied Technologies' Eclipse(TM) Multimode Variable Optical Attenuators (MM-VOAs) maintain a constant output optical power in the multimode fiber

N7766A Two-Channel Multimode Optical Attenuator

N7766A is a 2-channel power-monitored attenuator for multimode fiber applications. Speed, compactness and optical quality are optimized for manufacturing test.



Variable attenuators

All of EXFO's modular (IQS line) and benchtop variable attenuators are built for top performance and utmost accuracy with distinct sets of features and specifications to suit various testing needs. Ideal

Everything You Need to Know About Fiber Attenuators

When selecting attenuators for fiber optic systems, it's essential to consider the type of



fiber optic cable (single-mode or multimode),
connector type



Variable Optical Attenuators , Multimode , Amazelink

Multimode MEMS VOAs find applications in various fields, including data communication, sensing, and fiber optics instrumentation. Built with MEMS

Fiber Optic Attenuator Single mode Fixed Type LC SC FC ST Supplier

Teleweaver offers a wide range of Fiber Optic Attenuators. Available for use in Single-mode 9/125, Multimode 50/125 and Multimode 62.5/125 applications. Contact us for FREE sample.



Fiber Optic Attenuators

Fiber optic attenuators are used in the fiber optic links to reduce the optical power at a certain level. We supply various kinds of fiber attenuators, including LC, SC, and ST, FC, MU, E2000 and Variable

23 Optical Attenuator



Manufacturers in 2026

This section provides an overview for optical attenuators as well as their applications and principles. Also, please take a look at the list of 23 optical attenuator



MOA-3800

Two versions of the MOA-3800 exists: singlemode and multimode. Optimized for use with EXFO systems and software, the MOA-3800 Variable Optical Attenuator

Multi& single Mode Optical Attenuator-MEMS-DIMENSION

Strict calibration of multimode ring flux, ensuring ultra-high accuracy and repeatability in attenuation! The new generation of multi-mode programmable optical



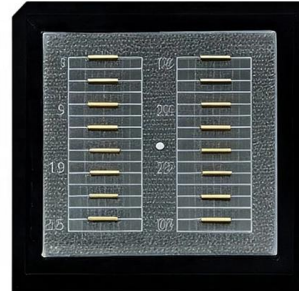
Optical Attenuators

The FOD 5418, 5419, 5420 Variable Optical Attenuators are designed to simulate optical attenuation when checking the optical margins of newly installed telecommunication equipment.



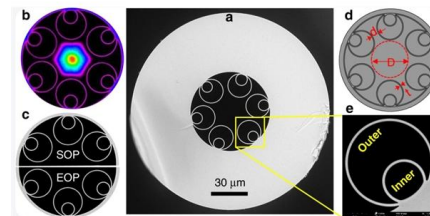
Optical Attenuators: N7768C , Keysight

The N7768C is a four-channel power-monitored optical attenuator for multimode fiber applications. Its bulk-optic filter and collimated beam path is designed to assure



Stepper Motor and Filter-Based Attenuator, Variable Optical

The Multiple Application Platform (MAP series) Variable Optical Attenuator (mVOA-C1) is a stepper motor and filter-based attenuator that delivers metrology-grade programmable attenuation

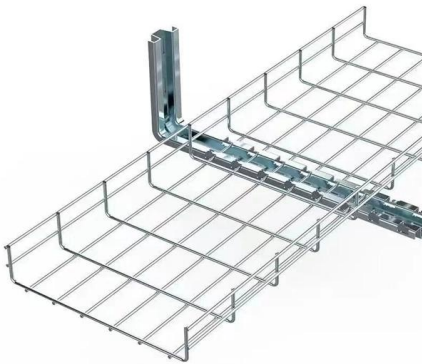


Fiber Optics Attenuators

Fiber Optics Attenuators - The Ultimate Guide on How they work? An optical attenuator is a passive device used to reduce the power level of an optical

Optical Attenuators, Fixed & Variable Available

FS fixed and variable fiber optic attenuators with leading attenuating fibers guarantee consistent and stable fiber attenuation (0~60dB) in WDM transmission.



Fiber Optic Attenuators

Thorlabs has a wide variety of single mode (SM), polarization-maintaining (PM), or multimode (MM) fixed and variable optical attenuators (VOAs). We offer SM and



Optical Attenuators - Buying Guide & Suppliers

This optical attenuators buying guide provides technical background, comparison of major types, selection criteria, and an overview of suppliers.

Fiber Optic Attenuators: Wiki, Types, When and How to Use

Learn what fiber optic attenuator is, how it reduces the power level of an optical signal, different types of optical attenuators, and when and how to use them.





Attenuators , Fibertronics, Inc.

Fibertronics, Inc. provides an extensive selection of fiber optic attenuators tailored to meet diverse needs. These attenuators are suitable for use in single mode 9/125,



Fiber Attenuators

Product PortfolioAMS Technologies carries a broad range of fiber attenuators that provide fixed or variable attenuation of optical signals in optical fibers. Variable attenuators are available for manual



81578A Variable Optical Attenuator Module for Multimode Fiber

The Keysight 81578A variable optical attenuator is designed for multimode fiber applications and features lowest insertion loss and excellent wavelength flatness over a complete attenuation range of



Variable Optical Attenuators (VOA)

This type of fiber optic attenuator is ideal for multimode fiber applications because the neutral density filter attenuates all modes equally, and results in stable



Fiber Optic Attenuators

Fiber Optic Attenuators Thorlabs has a wide variety of single mode (SM), polarization-maintaining (PM), or multimode (MM) fixed and variable optical



Fiber Optical Variable Attenuators

We offer the industry's most extensive selection of fiber variable optical attenuators (VOAs), addressing all application scenarios with best-in-class performance and



Contact Us

For datasheets, pricing, or custom telecom energy solutions, please visit:
<https://koskolong.co.za>