



Adam Tas Corridor Energy

Customized Horizontal Cable Trays





Customized Horizontal Cable Trays



Cable Tray Products UAE , Cable Tray Management

Cable Tray Accessories Include Horizontal and vertical bends, reducers, elbows, covers, tees, couplers, and end plates are all manufactured with precision and

Horizontal Cable Tray , ShowMeCables

The Middle-Atlantic HCT-1 1-Space Horizontal Cable Tray is a handy rackmount cable tray that mounts on any 19 inch rack or cabinet and neatly routes cable



Custom Cable Tray Manufacturing Hutaib Electricals

Custom cable tray manufacturing offers a tailored approach to cable management, addressing the unique needs of various projects and environments. By investing

Cable Tray Horizontal Supplier , Leading Manufacturer

Looking for a reliable supplier of horizontal cable trays? Look no further! We are the leading



manufacturers and suppliers of cable tray horizontal products. Contact us today!



Delta Cable Tray - Delta Cable Trays

Delta Cable Tray A cable tray is a structural system used to support and organize electrical cables in commercial, industrial, and infrastructure projects. It provides



Horizontal Cable Trays

The cable trays from SILTEC are made of first-class stainless steel that prevents corrosion and ensures a good level of resistance. This new Siltec product is a



Cable Tray Manufacturer UAE , Steel & Galvanized

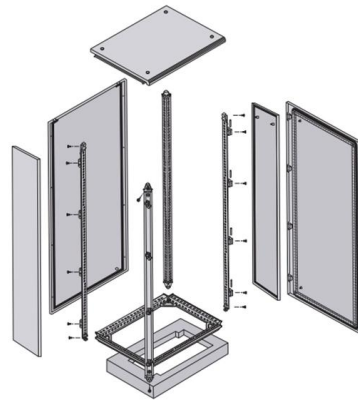
High-quality cable trays in UAE including steel, pre-galvanized, and HDG options. Reliable manufacturer and supplier for industrial and construction projects with





Customized Horizontal Elbow Perforated Metal Cable Trays

Horizontal Elbow Perforated Metal Cable Tray
Sizes Customized.



DK-07 WOOD

- o Supports horizontal or vertical GPUs up to 383 mm
- o Extensive cooling support with up to 4 x 360 mm radiators
- o Built-in wireless charging pad and dual storage drawers
- o Integrated cable management



NWT

We offer a comprehensive range of wire trays that are customised to meet your specific needs. Our products are designed with a focus on durability, safety and ease of installation.



Perforated Cable Tray High-Temperature Horizontal & Vertical Tray

Perforated Cable Tray High-Temperature Horizontal & Vertical Tray Trunking Heavy Load Support Enhances Ventilation Performance



How to create vertical cable tray in Revit

How to create a vertical cable tray in Revit to match the one shown in the image: This can be done with the free Revit MEP Fabrication extension. Use

Cable Ladder

Ladder cable trays are popular for their open design, offering excellent cable ventilation and convenient access for maintenance purposes. As the leading



Fiberglass Cable Tray Horizontal Tee

Cope fiberglass horizontal tee offers custom fittings for cable tray systems. Factory pre-drilled for fast installation.



Home

Tailored drawings and customization services to meet your specific project needs. Our team ensures precise designs that align with industry standards and project specifications. Comprehensive



Cable Trays

A cable tray is a bridging system used to suspend and support insulated electrical cables and wiring. In addition, they are designed to protect and safely carry

Cable Trays

Superior-quality wire cable trays, integrated shelving and custom components designed to optimize space while providing pathways for moving data or power





Professional Customized Cable Tray Systems: Advanced Solutions for

Discover industry-leading customized cable tray solutions featuring advanced materials, intelligent design, and complete regulatory compliance. Perfect for industrial and commercial applications

Custom Cable Trays & Accessories , I Tech Cable Trays , I TECH CABLE TRAYS

Discover a wide range of cable trays, including simple gi slotted channels and complex systems with ladder type bends. I Tech Cable Trays offers essential cable tray accessories, such as joint plates

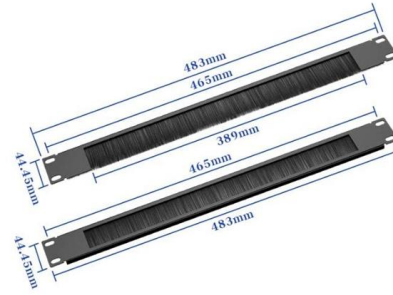


Cable Tray - KMC Engineering Company

Cable Tray Fittings: Fittings are required for change in size or direction of the cable tray. Designs of fittings are done keeping in mind the radius of the bend. At KMC,

Custom Wire Baskets & Cable Trays for Telecom

Wire trays solve many cable management solutions in the telecom industry, from organization to cable protection. Learn about Marlin Steel's custom cable



How to Install Cable Tray: A Comprehensive Guide to Different Cable

Welcome to our step-by-step guide on installing cable trays! In this video, we'll explore the different types of cable trays available and provide detailed instructions for their installation.

Cable trays Manufacturer/producer Germany , B2B companies

185 suppliers for cable trays
Manufacturer/Producer Find wholesalers and contact them directly B2B marketplace Find companies now!



WebiTelecomms Cabling



19" Rack Mount Horizontal Cable Tray

This innovative cable tray provides support to cable bundles that run horizontally across a rack. The ends of the tray are turned down to transition and maintain the proper bend radius for cable runs.



Contact Us

For datasheets, pricing, or custom telecom energy solutions, please visit:
<https://koskolong.co.za>