



Adam Tas Corridor Energy

Customized finished distribution boxes with voltage meters





Customized finished distribution boxes with voltage meters

Custom Electrical Distribution Boxes and Enclosures Built



We support fully customized dimensions and enclosure thicknesses to ensure the box fits precisely into your installation space. Whether you need a compact box for residential use or a heavy-duty

Low Voltage Distribution Box Manufacturer & Supplier

Low Voltage Distribution Box Manufacturer Zoliov provides reliable and high-quality low voltage distribution box solutions for commercial buildings, industrial facilities,



Case Study-How to Customize a Distribution Box for

Customizing a distribution box is crucial for meeting project specifications, improving safety and functionality, and protecting against



Voltage monitoring solar engineered NEMA 4X distribution boxes

We will work with you to ensure you have the



best voltage monitoring solar engineered NEMA 4X distribution boxes specific needs and requirements. Our linear component design and custom

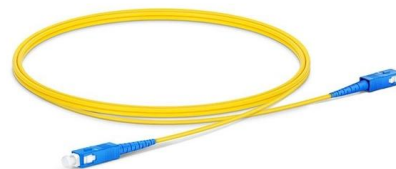


NEELU PACKING INDUSTRIES, Deep Drawn Meter Boxes, Deep Drawn SMC Meter

Product Customization & Role as OEMS
Considering the different requirements of the power & energy Industries, we have developed specialization in custom manufacturing wide spectrum of Deep

High-voltage distribution boxes , Zepter

For many years, we have been a trusted supplier of high-quality components which contribute to the reliable performance of such equipment as high-voltage distributor systems.



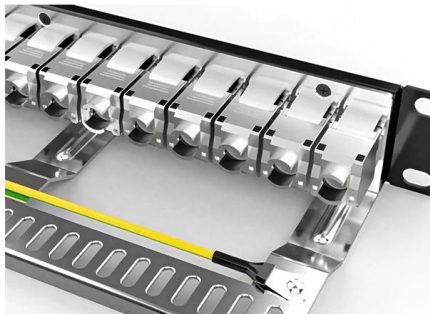
Electric Meter Box , GRP Electric Meter Boxes from Emitter

GRP (Glass Reinforced Plastic) electric meter boxes have become a popular choice among installers and property owners alike, thanks to their durability and



Customized Enclosures

Get high-quality customized enclosures from E-Abel, designed to fit your project needs with minimal cost, quick delivery, and maximum impact.



INDU Katalog EN 2017

In bad weather, protect the distribution box and your equipment with INDU-ELECTRIC rain covers - customized to your requirements and to the size of the distribution box.

Customized Electric Meter Boxes

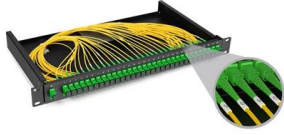
Shop customized electric meter boxes from reliable suppliers. Find durable, waterproof, and surface mount options for various applications. Bulk orders welcome.



LMPD Custom Power Distribution Box

We can provide you with the most reasonable suggestions based on your requirements to complete the matching of the distribution boxes.

1. Core needs.



Electric Meter Box Manufacturer, Distribution Box,

Electric Meter Box Supplier, Distribution Box,
Ready Board Manufacturers/ Suppliers - Smart
Electrical Engineering Co., Ltd.



Customized Distribution Box: Advanced Power Distribution Solutions

The customized distribution box offers numerous practical benefits that make it an invaluable solution for modern power distribution needs. First, its adaptable design allows for precise configuration



Custom Power Distribution Box Manufacturers , J& HW

We deliver tailored solutions for electrical power distribution boxes and distribution electrical boxes, avoiding unnecessary features and ensuring a perfect fit for your



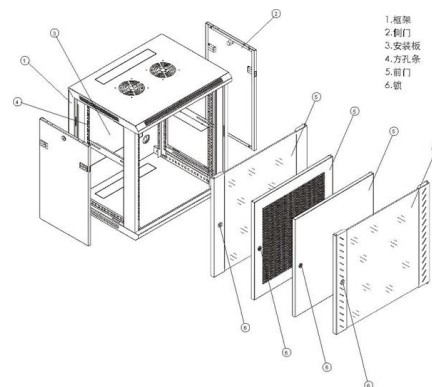


Distribution Box Manufacturing Process , Custom Electrical Enclosure

A distribution box is an essential component in electrical engineering, widely applied in residential, commercial, and industrial projects. Customers today not only care about the performance of the

Distribution Box , Electrical Distribution Box Manufacturers

Explore NUOMAKE's customizable distribution boxes. We offer various sizes and materials like stainless steel (201, 304) and cold-rolled steel, manufactured to your technical drawings.



DISTRIBUTION BOX / ASSEMBLIES

Custom electronic distribution boxes and wiring assemblies. Scalable OEM manufacturing with AVRGT.

Custom Enclosures , Custom Enclosure Design

We design and manufacture custom electrical enclosures for power distribution, automation, machinery control, and industrial equipment. Options include





Custom Power Distribution Box

Owning a factory and top-notch technologies, Sipolar always offers unmatched custom power distribution box to global customers. In recent years, our company leads the industry for advanced

High-end Distribution Cabinet & Distribution Box Customized

Our main products cover various fields such as Distribution Cabinet, Low Voltage Distribution Cabinet, Low Voltage Withdrawable Switchgear, Low-Voltage Switchgear, Distribution Box, Electricity Meter



Customized Distribution Box: Advanced Power Distribution Solutions

Professional-grade customizable distribution boxes featuring advanced protection systems, flexible configuration options, and smart monitoring capabilities for optimal power distribution management in

Custom Electrical Enclosures & Distribution Boxes for Industrial and

E-abel manufactures electrical distribution box, custom electrical enclosure, and related cabinet solutions for industrial, commercial, and infrastructure applications.





High Voltage Distribution Cabinets: Advanced Power Distribution

Explore Chenuo Electric's high voltage distribution cabinets, offering advanced solutions for power distribution in high voltage systems. Our cabinets are designed for maximum reliability and safety,

Custom Metal Enclosures, Cabinets & Box Manufacturer

Saipwell specializes in custom Metal Enclosures, Cabinets, Boxes, and NEMA Enclosures. We offer fast production, flexible customization,



Contact Us

For datasheets, pricing, or custom telecom energy solutions, please visit:
<https://koskolong.co.za>