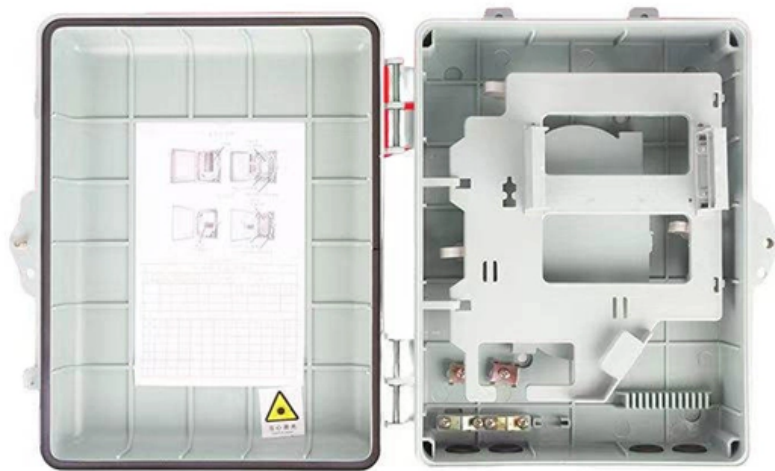




Adam Tas Corridor Energy

Desktop Consulting for Corrugated Conduits for Photovoltaic Power Plants





Desktop Consulting for Corrugated Conduits for Photovoltaic Power



PV Consult , THE PHOTOVOLTAIC OPERATOR IN EUROPE

We are a leading EPC company that specializes in the development, engineering, procurement, construction and investment in renewable

Solar Conduit on Roof: Planning, Installation, and Weatherproofing for

Solar conduit on roof plays a critical role in safely guiding electrical wiring from roof-mounted PV modules to inverters, combiner boxes, and the home electrical panel. Proper routing,



Solar Energy Engineering Consultancy and Design

We have delivered a full suite of engineering design solutions to help develop effective and robust solar power schemes, including utility-scale solar

Construction Management for PV & Solar , PV-Specialist

We offer extensive consulting services and can represent your interests exclusively. We can



enter into an exchange with your general contractor on an equal footing,



Buy corrugated conduit, empty conduit or cable conduit

Buy corrugated pipe from an expert As an expert in cable protection, E-M-C-direct GmbH & Co KG offers you a range of top-quality corrugated conduits. Our range

Leading Solar Conduit, PVC Conduit For Solar Manufacturer And

Elevate your solar projects with Ctube's expertly engineered solar conduit and fittings. Designed specifically for photovoltaic systems, our solar-compatible conduits ensure optimal cable



Solar Conduit Installation and Management on Roofs for Optimal Solar

Solar conduits on roofs provide protection against environmental factors such as UV rays, moisture, and physical damage. By channeling wires through conduits, risks such as wire abrasion, short-circuits,





Wholesale Solar Conduit, Solar PVC Conduit

Ctube Industry Global Leading Supplier of Solar Conduit Solutions Welcome to Ctube, a leading manufacturer and supplier of high-quality PVC conduit and



Solar Corrugated Conduit

Solar corrugated conduit is an ideal solution for safeguarding and organizing electrical cables in both residential and commercial photovoltaic (PV)

UV-Resistant Photovoltaic Installation Materials , Pipelife

We offer flexible, prewired conduits made from UV-resistant materials to support faster installation of photovoltaic systems. These electrical conduits come



Understanding Solar Conduit: A Key Component in

As more and more homes and businesses adopt solar power, it's essential to understand the different components that make up a solar energy system. One of



Corrugated cable conduits, flexible conduits for electrical cables

Corrugated conduits and flexible electrical conduits: designed to ensure maximum protection and accommodation of cables. Complete solutions for underground installations.



Solar Conduits & Roof Penetrations Explained , Solar ME

Learn the pros and cons of running the conduit through the attic or on the roof and understand the importance of properly sealing the roof



Krone Solar

We hereby confirm that Krone Solar CEE SRL has offered technical consultancy services for the development stage of the photovoltaic project Ciorani, having a





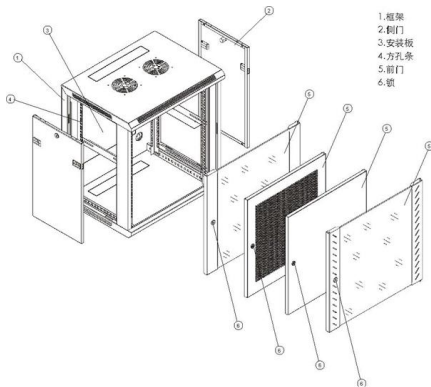
Solar Power Plant Consulting and Engineering Services

The global energy demand keeps increasing, and solar energy plays a vital role in providing a sustainable power supply. Our solar power plant consulting service



Essential Guide to Installing Solar Conduit on Roofs for Safe and

Installing solar conduit on roofs is a critical step in creating a safe, efficient, and code-compliant solar power system. Solar conduit protects the electrical wiring from weather, physical



Durable protection of photovoltaic systems

Plastic corrugated conduits from FLEXA have been protecting your cables and wires for over 40 years. Our flexible and durable cable protection conduits are used in many different areas. Particularly in

Solar Engineering Services , Full-Scope PV Design and Engineering

A nationally licensed solar engineering firm, we help commercial and institutional organizations plan and execute advanced photovoltaic



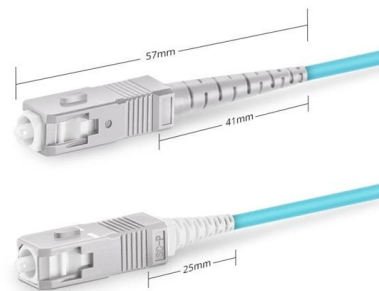


PVinsight

Our engineering consulting services help independent power producers (IPPs), and developers execute high-value solar projects successfully.

Arbutus Consultants

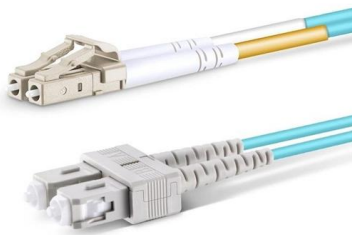
Arbutus Consultants , Renewable Energy Advisory, Engineering, Independent LTA, owner's engineering, TDD, asset performance, insurance technical advisory, and



Simplex SC UPC

EMC-direct photovoltaic catalog 2025

Thanks to our wide range of standard and special corrugated conduits for industrial cable protection and photovoltaics, we are now the market leader. When it comes to procurement, we rely on long-term



Versatile photovoltaic connection systems

Rigid UV-resistant conduits Our UV-resistant conduits are complemented by a full range of UV-resistant fittings and accessories, providing complete and consistent protection across your entire photovoltaic



Wholesale Solar Conduit, Solar PVC Conduit

Whether you need standard products or customized solutions, we are here to empower your electrical infrastructure with the best PVC conduits and fittings on



Photovoltaic and DC products - Grid Consulting

Global power conversion systems for the next generation of PV and energy storage power plants Our offered power systems is a medium voltage power conversion substation delivering up to 4.8MVA of



Solar Consulting , Applus+

Solar Consulting INTRODUCTION Applus+ through Eertis provides solar energy consultants to assist its clients throughout all the stages of their solar power plants. From the project design to its





Wiring Conduit for Solar PV Systems: A Detailed Guide

Learn how to install wiring conduit for solar PV systems to ensure a seamless future installation, meet DOE Zero Energy Ready



Corrugated Conduit: The Definitive Guide 2025

In this guide, we'll explore everything you need to know about corrugated conduit, from its materials, type, and applications to tips for choosing

Corrugated tubes as a paradigm shift in solar PV thermal system

To comprehensively assess the influence of different corrugated tube geometries on the performance of PVT systems, a comparative analysis was conducted on four distinct configurations:



Contact Us

For datasheets, pricing, or custom telecom energy solutions, please visit: <https://koskolong.co.za>