



**Adam Tas Corridor Energy**

## **Different switches at both ends of the fiber optic cable**





## Overview

---

The fiber connector types, sometimes referred to as terminations, link fiber optic cables together through terminals, switches, adapters, and patch panels, by bridging the gap between their internal glass fibre.



## Different switches at both ends of the fiber optic cable

---



### NEC 2026 Edition Changes Overview

NEC 2026 Edition Changes Overview The 2026 edition of NEC was issued by the NFPA Standards Council on September 9th. It is currently available

### Everything There Is to Know about Fiber Optic Switches

This blog will explore the fundamentals of fiber optic switches, covering types, advantages, and considerations for selecting a model to meet project requirements.



### Fiber Optic Cable Speed , Verizon Business

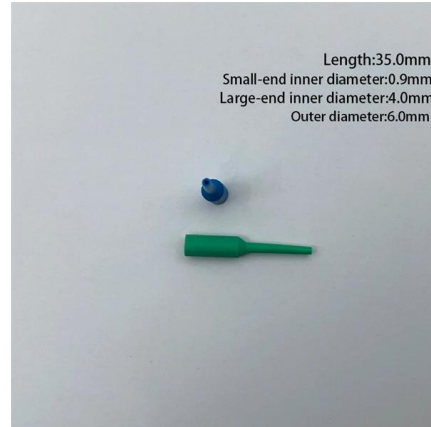
Experience reliable fiber optic cable speed with Verizon Business. Discover fast and reliable fiber optic cable solutions for your business. Learn more today!

### Fiber Connector Types: A Comprehensive Guide 2025

Discover the common fiber connector types. Learn the differences, uses, and best practices



for SC, LC, ST, FC, MPO/MTP connectors.



## Fiber Polarity: Everything you Need to Know

Multi-Fiber Configurations and Fiber Polarity The industry has identified three different methods for maintaining fiber polarity in multi-fiber

## Fiber Connector Types, End Faces & Uses

Fiber connectors are devices that enable detachable connections between optical fibers, precisely aligning end faces to maximize light coupling while minimizing



## Fiber Optic Connectors Explained: Design, Types

Fiber optic connectors, also known as terminations, connect two ends of fiber optic cables. This allows for quickly connecting and disconnecting of fiber



## Straight-through, Crossover & Rollover Cable Pinouts

When talking about cable pinouts, we often get questions as to the difference in Straight-through, Crossover, and Rollover wiring of cables and the intended use



## All Kinds of Fiber Optic Patch Cords - SC, LC, FC, ST

A Small Tip: Both ends of the fiber optic patch cords can have the same or different fiber optic connectors. For example, there are LC to LC fiber

## FOA Standard For Installing Fiber Optic Cable Plants

Today the FOA is the international professional association for fiber optics and the most widely recognized certifying body for fiber optic technicians. Today the FOA provides the world with sources



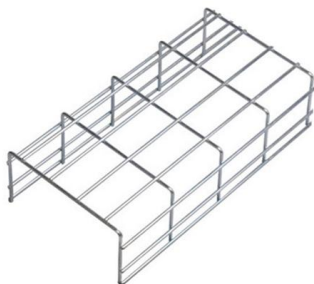
## AudioQuest

AudioQuest's Carbon Optical cable, however, features 19 narrow-aperture fibers of the highest-purity synthetic, creating a cleaner, more direct signal path with significantly reduced dispersion and lower



## Everything you need to know about fiber optic termination

Mechanical Splices are alignment gadgets that hold the ends of two fibers together with some index matching gel or glue between them. There are a number of

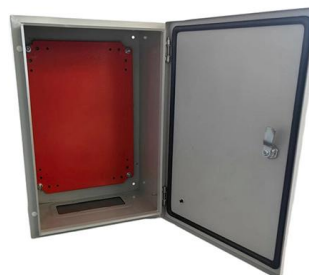


## Understanding Fiber Optic Cables and Connectors

Fiber Optic Cable Types and Attributes 2.2  
Singlemode (SMF) vs. Multimode (MMF) Fiber  
Optic Cables As bandwidth demand increases, a large number of data

## Where should the fibers be crossed ? : r/networking

Optical fiber shall be installed with odd numbered fibers having Position A at one end and Position B at the other. Even numbered fibers will have position A and B reversed from the odd numbered fibers.





## Fiber Polarity Basics for Duplex Applications

Fiber polarity is the direction that light signals travel from one end of a fiber optic cable (link) to the other. A link's transmit signal (Tx) must match its corresponding receiver (Rx) at the other

## Fiber Optic Switches Information

Distances of transmission and transmission bandwidth are less than with single mode fiber due to dispersion. Some fiber optic switches can be used for both



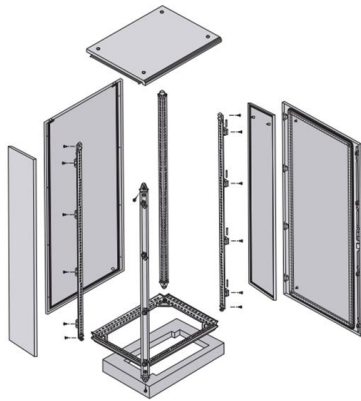
## Fiber to the x

Fiber to the x (FTTX; also spelled "fibre") or fiber in the loop is a generic term for any broadband network architecture using optical fiber to provide all or part of the

## Network Cabling Installation Guide: Step-by-Step

Learn the do's and don't of network cable installation, from the planning process to the hardware to potential hazards to watch out for.





## Fiber Optic Connector Types Explained , FiberCablesDirect

But with so many different types of fiber optic connectors available, it can be difficult to know which one is right for your specific needs. On this page, we'll compare

## Everything you need to know about fiber optic termination

Different connectors and splice termination procedures are used for singlemode and multimode connectors, so make sure you know what the fiber will be before you

Various specifications optional



## AudioQuest Carbon Optical 16.4' Digital Toslink Fiber

AudioQuest's Carbon Optical cable, however, features 19 narrow-aperture fibers of the highest-purity synthetic, creating a cleaner, more direct signal path with

## Fiber Optic Switch: A Comprehensive Guide

There are three main types of fiber optic switches: mechanical, solid-state, and acousto-optic. Each of these types has its own advantages and





## 10 Costly Fiber Optic Cable Installation Mistakes to Avoid in 2026

Avoid costly fiber optic installation failures. Learn the 10 critical mistakes in splicing, bend radius, connector cleaning, and cable handling that ruin enterprise network performance.

### Simplex Duplex Fiber Optic Cable, LSZH Patch Cord CCTV Application

Description: The fiber optic patch cord is a length of optical cable with connectors fixed on two ends to realize the optical path active connection. Pigtail is a length fiber cable with only one connector fixed



### Fiber Optic Cable Types & What They Are Used For

Fiber optic cables (also known as optical fiber cable) are network cables that contain many strands of fine glass fibers known as optical fibers,



### Fiber Polarity Basics for Duplex Applications

Proper duplex polarity, where the transmit signal matches its corresponding receiver, is essential for fiber links to function. Learn more in this guide.



Ordering information

NO.	1	2	3	4	5	6
Model	SF-201	SF-202	SF-203	SF-204	SF-205	SF-206
Product name	Patch Panel	Patch Panel	Patch Panel	Patch Panel	Patch Panel	Patch Panel
Illustration						
PU	1	2	4	1	2	4
Maximum number of cores	144	288	576	144	288	576
Product size (including module and connector)	482.0*102.0*14 (mm)	482.0*102.0*14 (mm)	482.0*102.0*17 (mm)	482.0*102.0*14 (mm)	482.0*102.0*14 (mm)	482.0*102.0*17 (mm)
Standard color code	RAL9005	RAL9005	RAL9005	RAL9005	RAL9005	RAL9005
Inventory	2	2	2	2	2	2



### Using SFP transceivers of two different makers on a one fiber optic

So, the question is : does the connection between Cisco made SFP transceiver on Catalyst cores switch on one end of fiber optic cable and Allied Telesis made SFP transceiver on AT edge switch on the

### Single-mode optical fiber

In fiber-optic communication, a single-mode optical fiber, also known as fundamental- or mono-mode, is an optical fiber designed to carry only a single mode of light



### How do you connect SFP to fiber optic cable?

To connect a Small Form-factor Pluggable (SFP) module to a fiber optic cable, follow these steps:

1. Ensure that the SFP module is



## Contact Us

---

For datasheets, pricing, or custom telecom energy solutions, please visit:  
<https://koskolong.co.za>