



Adam Tas Corridor Energy

Distribution box power cabinet power distribution unit





Distribution box power cabinet power distribution unit



Uncovering the Secrets of Power Distribution Cabinets:

Explore power distribution cabinets! This comprehensive guide unveils secrets of PDUs, electrical centers, and power distribution in data centers.

Power Distribution Boxes Explained Simply

Learn what a power distribution box is, how it works, key components, types, and why it's vital for safe and efficient electrical systems.

Ordering information

NO.	1	2	3	4	5	6
Model	SP1201	SP1202	SP1203	SP1204	SP1205	SP1206
Product name	PDU1-PDU1	PDU2-PDU2	PDU3-PDU3	PDU4-PDU4	PDU5-PDU5	PDU6-PDU6
Illustration						
PLU	1	2	4	1	2	4
Maximum number of ports	144	288	576	144	288	576
Product size (including module and adapter)	482.0*760*114 mm	482.0*760*181 mm	482.0*760*177 mm	482.0*760*114 mm	482.0*760*181 mm	482.0*760*177 mm
Standard color code	RAL9005	RAL9005	RAL9005	RAL9005	RAL9005	RAL9005
Inventory	✓	✓	✓	✓	✓	✓



What is a power distribution unit (PDU)?

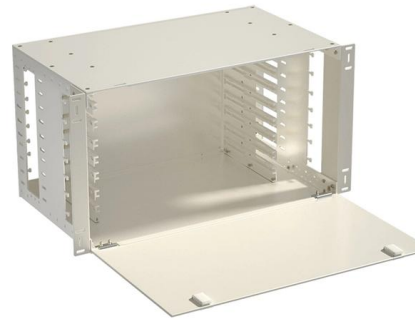
Learn what power distribution units do and how different types of PDUs work. Find out what questions to ask before you purchase your next PDU.

What is the Internal Structure of The Distribution Box

You might hear the distribution box referred to by other names, such as distribution panel,



power distribution cabinet, or electrical panel.
Regardless of



Complete Guide for Power Distribution in Servers, Racks, and Data

Power Distribution Units (PDUs) are the crucial link between your facility's electrical infrastructure and your IT equipment. These devices ensure clean, stable power reaches every server, switch, and



Understanding PDU Cabinets: Essential for Efficient and Safe Power

A Power Distribution Unit (PDU) cabinet is a device that centralizes power distribution for various electrical systems. It safely channels power from a primary source to multiple outlets or machines,



Power distribution unit

Cabinet PDU with access doors open A power distribution unit (PDU) is a device fitted with multiple outputs designed to distribute electric power, especially to racks of computers and networking



Power Distribution & PDUs

Our in-cabinet-mounted Power Distribution Units (PDUs) are manufactured from high-quality components to support all your mission-critical applications. Belden



Distribution Boxes Explained: Types, Functions, and

Beyond simple power distribution, these units provide essential safety measures that protect against electrical hazards like short circuits and power

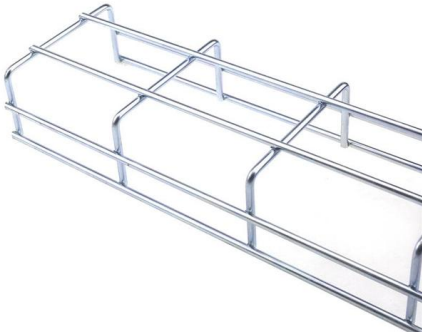
6 Way Cabinet Power Distribution Unit

6 Way Cabinet Power Distribution Unit
Conforming to BS1363 our units have been designed specifically for 19" cabinet use, although as they are manufactured in



Power Distribution Box Essentials: Functions, Types

A power distribution box electrical captures electricity from the primary power supply and allocates it securely to different electrical circuits in a building



Power Distribution Unit

For power distribution requirements of medium to large data centers, Delta's Power Distribution Unit (PDU) is an optimal solution. The space-saving PDU is easy to



The Power Distribution Unit Range

Our range of power distribution units (PDUs) allows you to power devices within your network cabinet. This great range of products for 19" and 10" racks is an essential

Power Distribution Cabinet - Types, Functions & Uses

What is a Power Distribution Cabinet? A power distribution cabinet is a critical part of modern electrical systems. It helps protect, control, and distribute





The Ultimate Guide to Distribution Box Types

Discover the key types of distribution boxes with NUOMAK's comprehensive guide. Learn about Main Distribution Boards (MDB), Consumer Units, Transfer



Cabinet power distribution unit

Find your cabinet power distribution unit easily amongst the 13 products from the leading brands (RITTAL, ELEKTRA TAILFINGEN, ABB,) on DirectIndustry, the



Understanding Distribution Boxes: Your Guide to Power

Every single type of these power distribution boxes serve to regulate electricity management systems safeguarding the structure against unauthorized

Power Distribution Cabinets: Centralized Solutions for

Explore the critical role of Power Distribution Cabinets (PDCs) in modern electrical systems. Learn about their evolution, centralized power



Quick Guide to Power Distribution Unit (PDU)

A power distribution unit, also known as PDU, refers to a device fitted with multiple outputs designed to control and distribute electric power, which is normally used

Power Switching and Distribution Cabinets

Power conditioning and distribution cabinet that offers the benefits of a custom-tailored system while offering the convenience and cost savings of a pre-packaged, factory-tested solution.



Power distribution unit

A power distribution unit (PDU) is a device fitted with multiple outputs designed to distribute electric power, especially to racks of computers and networking equipment located within a data center.



Exploring Data Center PDUs: Floor PDUs vs. Rack

A highly reliable power source is essential to data center operations. However, the layout of the modern data center, with rows of racks and cabinets,



Power Distribution Equipment

Power Distribution Equipment is a term generally used to describe any apparatus used for the generation, transmission, distribution, or control of electrical energy.

What's the difference between cabinet and rackmount PDUs?

Power distribution units come in two form factors: floor standing or cabinet PDU s and rackmount PDU s. A floor standing PDU, or a cabinet PDU, is a large, three-phase power distribution unit that comes



Power Distribution Units (PDU) Information

Power distribution units (PDUs) have an electrical input and several outputs, often as electrical outlets, for powering multiple devices. They



typically contain features

Contact Us

For datasheets, pricing, or custom telecom energy solutions, please visit:
<https://koskolong.co.za>