



Adam Tas Corridor Energy

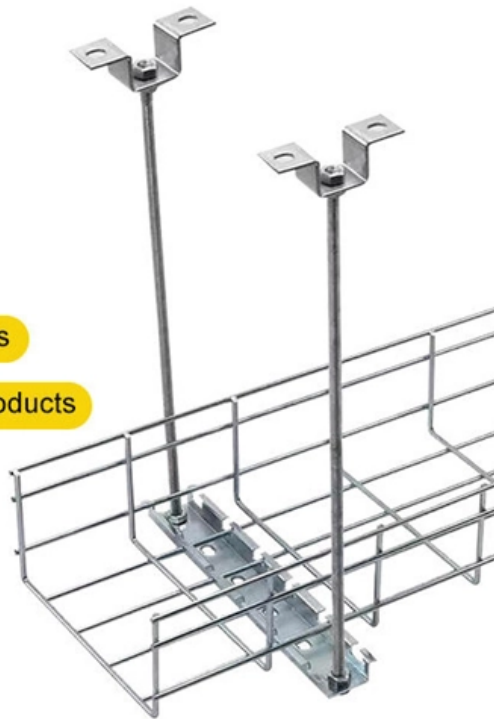
Does Huijue 25G optical module with 10km range have different models

STAINLESS STEEL WIRE MESH

Long-lasting and durable

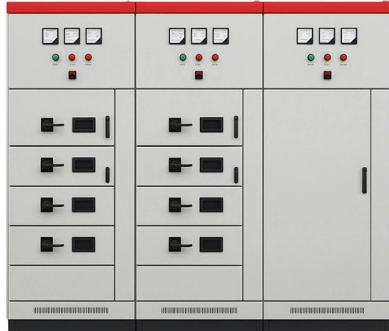
Comprehensive specifications

Customized non-standard products





Does Huijue 25G optical module with 10km range have different mo



5G Fronthaul 25G SFP28 Optical Module Selection Guide , Langzhi

Complete guide to selecting 25G SFP28 optical modules for 5G fronthaul networks. Compare SR, LR, ER, BiDi, and CWDM types covering transmission distance, wavelength, power

How does the 25G SFP28 module differ from other optical modules?

Below is a detailed comparison with the most commonly used optical modules, as well as a summary of distinguishing features from special modules (e.g., BiDi, CWDM/DWDM variants).

MTP MPO SC-Type Fiber Adapter



25G optical modules for your network

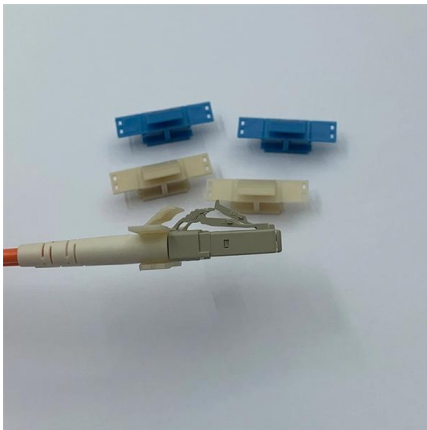
Finally, with the maturity of the technology, the cost of 25G optical modules will gradually decline, promoting its widespread popularity. When

11 Best Fiber Optic Switch Modules for 2026 Networking

Discover the top 11 fiber optic switch modules for 2026 networking that can elevate your



infrastructure--continue reading to find the perfect fit for your



SFP28 25G SR Optical Modules: High-Performance Network Solution

SFP28 25G SR optical modules provide a high-performance, cost-effective, and scalable solution for modern networking. Designed for short-distance high-speed data transmission, they are essential in

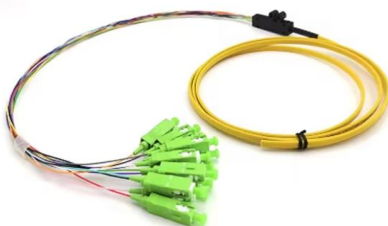
10 Gbit/s SFP+ Optical Module

You can use different levels of 10 Gbit/s SFP+ optical modules only with 10 GE interfaces. The wavelength of these 10 Gbit/s SFP+ optical modules can be 850 nm, 1310 nm, or



25G SFP28 SR vs. 25G SFP28 LR, Which Optical Module Is Right for

Discover the key differences between 25G SFP28 SR and LR transceivers. Learn which module suits your network needs based on distance, fiber type, cost, and deployment scenarios. Ideal for data





Cisco 25GBASE SFP28 Modules Data Sheet

The Cisco 10/25GBASE-LR Module supports a link length of 10 kilometers on standard Single-Mode Fiber (SMF) G.652 at both 10G and 25G.



25GE SFP28 Optical Modules

SFP-25G-SR Table 15-68 SFP-25G-SR specifications SFP-25G-LR SFP-25G-SR Translation Favorite Download Update Date:2025-04-03 Document ID:EDOC1100278610



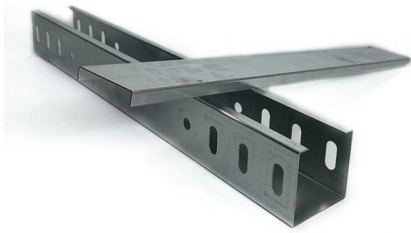
FS SFP28 25G LR: Optimizing Long-Distance

Discover the FS SFP28 25G LR module, designed for reliable long-distance transmission with optimized performance and wide-ranging applications.



25GBASE-LR SFP28 1310nm 10km DOM Duplex LC/UPC SMF Optical

25GBASE-LR SFP28 DOM Optical Transceiver Module for Data Center and 5G Wireless Front-haul (SMF, 1310nm, 10km, LC, Industrial, DOM) The SFP28 transceiver provides 25GBase-LR



Cisco SFP-10/25G-LR-I Compatible 10/25GBASE-LR

Cisco SFP-10/25G-LR-S-I Compatible 10/25GBASE-LR SFP28 Industrial Dual-rate Optical Transceiver Module for Data Center (SMF, 1310nm, 10km, DOM) The

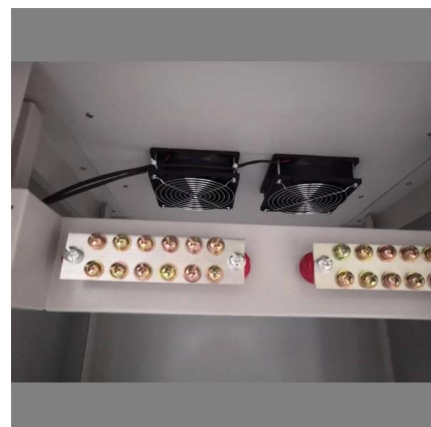


BGS1025G SFP28 Optical module 10GbE 25G single-mode dual fiber

Optical Module BGS1025G SFP28 Optical module 10GbE 25G single-mode dual fiber optical module (1310nm, 10km, LC) compatible with Huawei/Ruijie/ZTE/Pulian switches

A Comprehensive Guide to the 25GBASE-SR Optical

Compared to other 25G modules, such as 25GBASE-LR, which operates over longer distances, the 25GBASE-SR module is optimized for high





25G Optics , HPE Juniper Networking US

Juniper's 25G optical transceivers offer service providers and enterprise network operators an efficient way to meet the growing bandwidth needs of servicing



Cisco 25GBASE SFP28 Modules Data Sheet

The Cisco 25GBASE SFP28 (Small Form-Factor Pluggable) portfolio offers customers a wide variety of high-density and low-power 25 Gigabit



Strengthen door locks
More durable and aesthetically pleasing



Grounding screw
More aesthetically pleasing and safer



Removable hinges
Make operation more convenient



Sealing strip
Dustproof and waterproof

25G SFP28 LR 10km

25G SFP28 LR 10km o Operating data rate support 24.3Gbps- 26.5Gbps o Compliant with IEEE 802.3 o Compliant with SFF-8402

An In-depth Guide to 25G SFP28 Optical Transceiver

Discover the advantages, specifications, and applications of 25G optical transceiver solutions--for high-speed data center, enterprise, and telecom networks.



What Are The Differences Between 25G SFP28 SR and 10/25G Dual

Whether to directly choose 25G SFP28 optical modules or 10/25G dual-rate optical modules has become a difficult decision. This article will guide you through the differences between



SFP28 25G SR vs 10/25G SR: Choose the Right

Compare SFP28 25G SR and 10/25G dual-rate modules in speed, compatibility, and use cases to choose the right fit for your evolving network needs.



You Should Know About 25G Transceivers and Cables

The 25G dual rate modules (ie. 6C-SFP28-10/25G-SR, 6C-SFP28-10/25G-LR) are compatible with 10G and 25G rates and can be switched on the





SFP 25G Modules: LR vs MR vs ER vs SR - The

This guide helps engineers and procurement teams choose the right 25G optical modules. It covers standards, distances, fiber types, power use, and



Demystifying SFP28: The Essential Guide to 25G

SFP28 is a 25G transceiver module for fast, efficient data transfer in modern networks, offering high speed, compatibility, and energy savings.

Contact Us

For datasheets, pricing, or custom telecom energy solutions, please visit:
<https://koskolong.co.za>