



Adam Tas Corridor Energy

Does the outdoor server rack come with a switch





Does the outdoor server rack come with a switch



26U Outdoor Network Cabinet

The 26U Outdoor Network Cabinet is a premium weatherproof and IP66 rated network enclosure designed to protect your valuable network devices and servers.

Server Racks: Purpose, Benefits, and Selection Tips

Explore the role of server racks in modern IT infrastructure, their benefits for efficiency and security, and useful tips for selecting the right cabinet to



NavePoint 22U Server Cabinet Wall Mount Rack

NavePoint 22U Server Cabinet Wall Mount Rack Enclosure with Caster Wheels, 2 Fans, Locking Glass Door, Removable Side Panels - 22U Network Cabinet 23.6"

How to Setup a Server Rack: Tips and Tricks {Step-by

A server rack (or a server cabinet) holds and organizes IT equipment, such as dedicated



servers and network switches. Installing a server rack has



Outdoor IT Rack Enclosures , Eaton

Switched PDUs can securely control individual outlets remotely to enable the rebooting of unresponsive equipment to minimize downtime. ATS PDUs provide redundant power to connected equipment with

Outdoor server rack

A outdoor server rack is a specialized enclosure designed to house servers and networking equipment in environments exposed to challenging weather conditions. These racks are



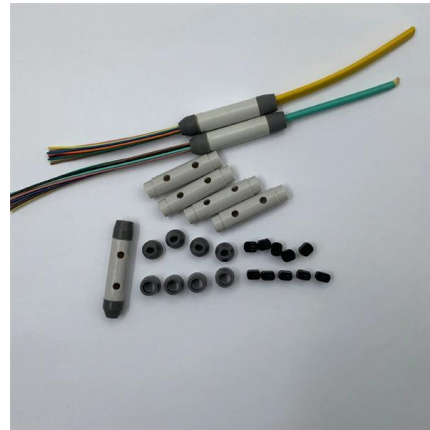
What Is a Server Rack and How Does It Work? -

A detailed guide explaining what a server rack is, how it works, its benefits, and its role in organizing and protecting network equipment efficiently.



Outdoor Network Rack? : r/networking

It may be easier to use some weatherproof 'WISP' switches that are designed for outside use without an enclosure. Something like the Mikrotik netPower 16P would be a cost effective way to do something



People Inc.

People Inc. is America's largest digital and print publisher. Learn about career opportunities, leadership, and advertising solutions across our trusted brands

The Best Network Server Racks and Enclosures

Check out the best network server racks and enclosures for your home or business from reputable companies like Startech and Navepoint.



IP66 Rated Weatherproof Outdoor Network Cabinets

Discover IP rated (NEMA) outdoor network cabinets designed for superior protection and durability for your network infrastructure in harsh environments.



APC UPS Selector , Schneider Electric United States

How does the UPS Selector help with selection of software, services, and accessories? After the selection of a particular UPS, the UPS Selector tools will provide optional add-ons that are

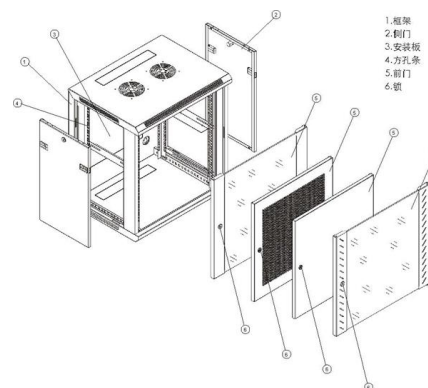


Waterproof Outdoor Server Racks , Outdoor Network Cabinets , AZE

AZE's 19" outdoor server racks and outdoor network cabinets are ideal for protecting sensitive network systems from any damage due to impacts and harsh climatic conditions. These are manufactured

A 19 inch outdoor cabinet for your network!

An outdoor server rack or patch cabinet is a 19-inch cabinet that has four 19-inch mounting profiles. In these profiles, you directly attach 19-inch network





What is in a Server Rack: Full Guide

A server rack is a metal frame that holds and organizes your IT equipment--like servers, switches, and power supplies--all in one place. It keeps

Ein 19 Zoll Outdoor Netzwerkschrank für Ihr Netzwerk

Ein Outdoor Server- oder Netzwerkschrank ist ein 19 Zoll Schrank mit vier 19" Befestigungsprofilen. In diesen Profilen befestigen Sie die 19 Zoll

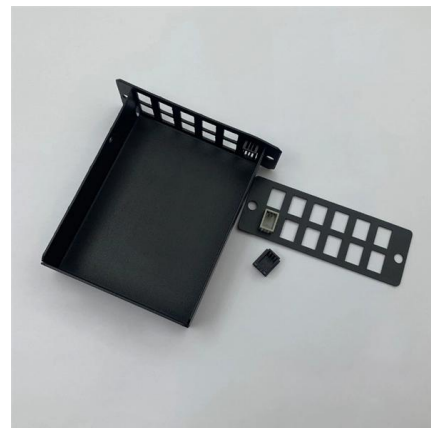


Server Rack Cabinets , WEATHERPROOF NETWORK CABINETS

Looking for server rack cabinets? Find and shop durable enclosures, racks, and accessories to keep your equipment secure and organized. Welcome to Sturdx!

Jual Rack Server Outdoor Terbaru

Beli Rack Server Outdoor spesifikasi terbaru & harga murah Mei 2026 di Tokopedia! ? Promo Pengguna Baru ? Kurir Instan ? Bebas Ongkir ? Cicilan 0%.





Waterproof Outdoor Server Racks , Outdoor Network Cabinets , AZE

The 19" waterproof outdoor server racks and cabinets safeguard your sensitive electronics in outdoor environments and ensure they function smoothly and reliably.

Outdoor network switch rack

Looking for wholesale outdoor network switch rack on Alibaba is a breeze. Our supplier listings for network switches contain products to meet all needs for home and professional use.



Outdoor Server Rack Cabinets , Server Room Environments

Our outdoor data cabinets and outdoor server rack cabinets are perfect for housing IT, telecom, security, and networking equipment, including 5G and Edge computing applications. We offer both single and

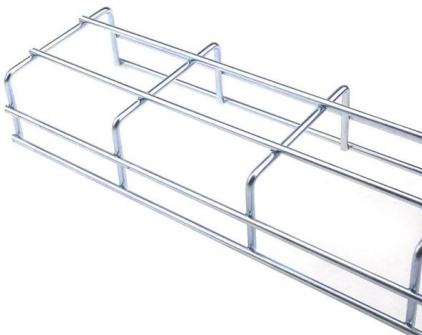
Outdoor Weatherproof Cabinets for Electronics

Designed for outdoor server installations, these racks are built to withstand rain, snow, and extreme temperatures. Features rugged construction and lockable



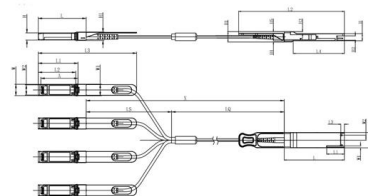
Outdoor Serverschränke & Industrieschränke IP55 , Serverschrank24

Ein Outdoor Serverschrank - auch bekannt als Industrieschrank für IT-Komponenten - ist ein 19 Zoll Schrank mit 19" Befestigungsschienen. In diesen Schienen befestigen Sie die 19 Zoll



A Beginners' Guide to Server Rack and Cabinet

Server racks can also be named as LAN racks or network racks. A server rack or network cabinet is designed to accommodate different technical devices,



Unit mm

QSP28	L	L1	L2	L3	L4	W	W1	W2	H	H1	H2	H3	H4	H5	H6
Max	72.2	-	128	4.35	61.4	18.45	-	6.2	8.6	12.4	5.35	2.5	1.6	2.0	-
Type	72.0	-	4.20	61.2	18.35	-	-	8.5	12.2	5.2	2.3	1.5	1.8	6.55	-
Min	68.8	16.5	124	4.05	61.0	18.25	2.2	5.8	8.4	12.0	5.05	2.1	1.3	1.6	-

SFP28	L	L1	L2	L3	W	W1	W2	H	H1	A
Max	57.6	47.7	44.55	119.9	13.8	14.0	12.3	8.7	10.3	45.25
Type	57.4	47.5	44.35	117.9	13.55	13.5	12.1	8.5	10.1	45
Min	57.2	47.3	44.15	115.9	13.3	13.6	11.9	8.4	9.9	44.65

Freestanding Outdoor Cabinets & Freestanding Outdoor Server Racks

4cabling has various sizes of outdoor freestanding server racks & data cabinets. Suitable for protecting your expensive and sensitive network equipment. Purchase online now and save from retail. Fast





Outdoor Server Rack Guide: How to Choose the Right One

An outdoor server rack is a weather-resistant, lockable enclosure designed to house 19-inch IT equipment--servers, switches, routers, power supplies, and environmental controllers--in



Outdoor Network Rack? : r/networking

Anyone have experience with this? We need to place two rack mount switches on the side of a building. The location doesn't have any rooms available. The side of the building does have power. If it

5 Important Types of Server Rack Equipment

Server racks contain important equipment including servers, patch panels, routers, switches, and support materials such as rack rails.



Outdoor Server Rack Guide: How to Choose the Right One

A practical, no-fluff guide on selecting an outdoor server rack--covering IP ratings, cooling, mounting, cost trade-offs, and real-world use cases.



Contact Us

For datasheets, pricing, or custom telecom energy solutions, please visit:
<https://koskolong.co.za>