



Adam Tas Corridor Energy

Dual-core fiber optic patch cords available in stock





Overview

Shop high-quality dual core patch cords for reliable fiber optic networking. Whether LC duplex fiber optic patch cables, SC duplex fiber optic patch cables or MTP fiber optic patch cables - at EFB-Elektronik you will find a large selection of fiber optic patch cables, including OM3 and OM4 fiber types, always available from stock. Patch Cord SC Duplex Fiber Optic Cable Assemblies are available at Mouser Electronics. 0mm optical cable, enhancing the cable management capacity of the pre-terminated system. Optical fiber connection between patch panels, connection between patch panels and peripheral equipment. EDGE™ patch cords are integrated reverse-polarity uniboot duplex assemblies that meet the high-density space requirements of the MDA and EDA and provide a 50-percent reduction in bulk cabling when compared to traditional duplex patch cords.



Dual-core fiber optic patch cords available in stock



Optic Fiber Patch Cord

Patch Chords D-Link patch cords are available with full standard optical specifications, precise length tolerances. All assemblies are 100% inspected for

SAMZHE Fiber Optic Patch Cable SC-SC Telecom-Grade Single-Mode Dual

Compra SAMZHE Fiber Optic Patch Cable SC-SC Telecom-Grade Single-Mode Dual-Core Optical Cable Fiber Pigtail Low Smoke Zero Halogen 2-Core 3-Steel Wire Outdoor Fiber Optic Network



Premium High-Quality Fiber Patch Cables

High-quality connectivity to empower your network with our fiber patch cables. These high-speed connectivity solutions are engineered to deliver superior performance

AixTon 2 core single mode fiber optic cable GYXTW patch cord 30M

Ensure reliable, short-to-medium distance fiber connections with the AixTon 2-core Single Mode



Fiber Optic Patch Cord. This 30-meter, pre-terminated cable features two robust single mode fibers



Patch Cord SC Duplex Fiber Optic Cable Assemblies - Mouser

Mouser offers inventory, pricing, & datasheets for Patch Cord SC Duplex Fiber Optic Cable Assemblies.

Simplex vs Duplex Fiber Cables , Complete Supplier Guide

Understand the core difference between simplex (one-way) and duplex (two-way) fiber optic cables to choose the right solution for your network.



Fibre optic patch cords and equipment cords

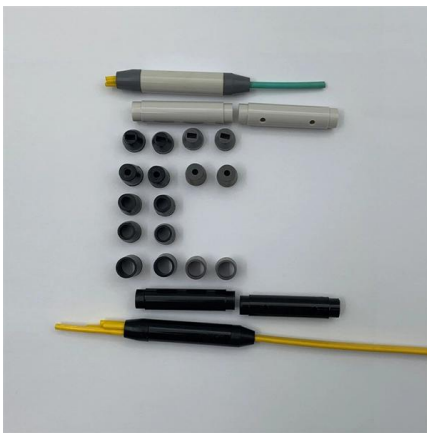
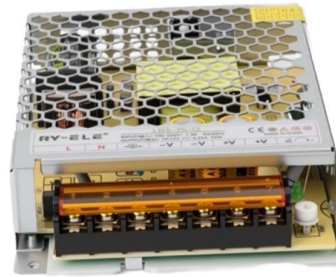
In the webshop, you will find our fibre optic patchcords with singlemode and multimode OM3 and OM4 fibres in FRNC-LSZH indoor cables for stationary,





Fibre Patch Cord , Broadex Technologies

The dual-core Uniboot patch cord integrates two optical fibers into a 2.0mm or 3.0mm optical cable, enhancing the cable management capacity of the pre-terminated system.



Multi-Core Fiber Patch Cords: Use Cases & Benefits

Discover when multi-core fiber patch cords are the ideal choice for your FTTH, datacenter or 5G project. Customizable, high-density, and ready to

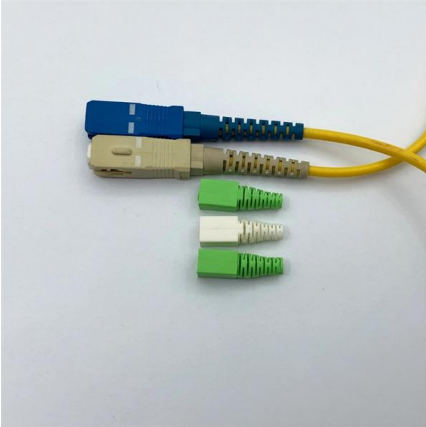
Dual Core Fiber Optic Patch Cord at INR 200/piece

Fibre Optic Patchcords & Pigtails are available in Singlemode OS1, OS2 or Multimode OM1, OM2, OM3, OM4 fiber types to meet the demands of gigabit



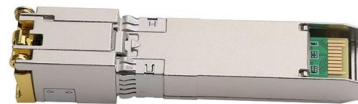
Fiber Optic Patch Cables Selection Page , Shop Now

We carry a wide range of TAA-Compliant Fiber Optic Patch Cables. Find various glass types, lengths, and connectors available on our website.



Dual-Core Multimode Fiber Patch Cables for Optogenetics

The dual-core multimode fiber optic patch cables sold on this page are specifically designed to be used with our implantable dual-core fiber optic cannulae. Thorlabs' dual-core products allow high-intensity



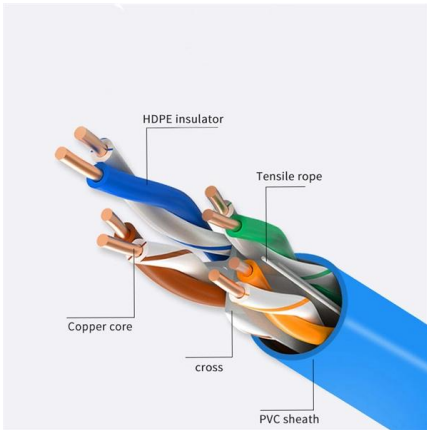
Dual Fiber-optic Patch Cords - Doric Lenses

One side ends with a dual ferrule guiding pin or a guiding socket connector. The other side of the patch cord can also end with a dual ferrule connector or with

Fiber Optic Cables , Fiber Patch Cables , Patch Cords, Duplex

Fiber Patch Cables, Multimode & Singlemode Duplex Fiber Optic Cables, Secure Order Fiber Patch Cords, Preferred Mil. Edu. Gov. Pricing, Same Day Shipping From CA USA, Verified Reviews





Armoured 2 core fiber optic cable

Armoured 2-core fiber optic cable available from \$0.08 to \$66. Available for purchase from 1 unit. Suitable for outdoor use and supplied in various core counts. Ideal for wholesalers and resellers.

Fiber Optic Interconnects, Patch Cords & Pigtails

Fiber Optic Interconnects, Patch Cords & Pigtails
 Something went wrong. If the problem persists contact the administrator.

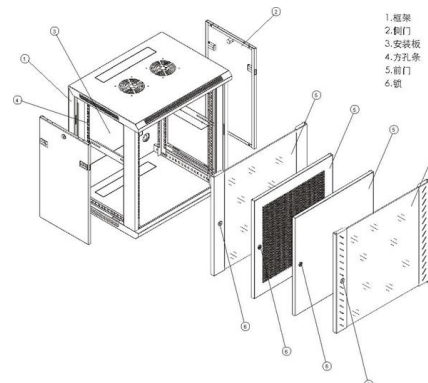


Dual Core Patch Cords

Shop high-quality dual core patch cords for reliable fiber optic networking. Enjoy durable, low-loss connections with customizable options. Perfect for FTTH.

Patch cords and Fiber optic cables , Foss Fibre Optics

Duplex patch cord, Break-out, LC-LC, 50/OM3/3x5, turquoise Multimode OM3 fiber optic duplex patch cord with integrated rip-cord in outer coating and LC-LC





Fiber Optic Patch Cables, Fiber Patch Cords

Get low-loss fiber patch cables & cords with various connector options that support fiber optic cabling up to 400G. 100% tested. Customized cables available.

Fiber Optic Patch Cables for Sale , Cables on Demand

Buy Amphenol Fiber Optic Patch Cables Factory-Direct from Cables on Demand! With 4 decades of fiber optic interconnect manufacturing experience, our optical



Fiber-optic cable

A fiber-optic cable, also known as an optical-fiber cable, is an assembly similar to an electrical cable but containing one or more optical fibers that are used to carry

Fiber Optic Patch Cables , Fibertronics, Inc.

Fiber Optic Patch Cables Fibertronics Inc. offers a wide selection of high-quality fiber optic patch cables, with many models in stock and available for immediate



EDGE(TM) 2.0mm Patch Cord, 2 fibres, Interconnect tight-buffered cable



EDGE(TM) patch cords are integrated reverse-polarity uniboot duplex assemblies that meet the high-density space requirements of the MDA and EDA and provide a 50-percent reduction in bulk cabling

Fibre Optic Patch Leads & Cables for Sale

FS offers full range of fibre optic patch leads & cables with bend insensitive fibre design that support fibre optic cabling up to 400G. 100% end-face, IL & RL tested.



SUPPORTS DIN RAIL INSTALLATION



Opti-Core Fiber Optic Patch Cords and Pigtaills

Fiber optic patch cords and pigtaills provide interconnect and cross-connect of applications over installations in entrance facilities, telecommunications rooms, data centers and at the desk. Patch



Fibre Patch Leads LC, ST, SC, FC, OM1, OM2, OM3,

Our 2.8mm zipped duplex standard fibre patch cables have a Low Smoke Zero Halogen (LSZH) sheath and are available in singlemode (OS2) and multimode



5 Meters 4 Core Industrial TPU LC to LC Outdoor

About this item 4 Core Single Mode LC Industrial Armored TPU Fiber Optic Patch Cable: Industrial TPU Jacket features strong tensile strength, high abrasion

Contact Us

For datasheets, pricing, or custom telecom energy solutions, please visit:
<https://koskolong.co.za>