



Adam Tas Corridor Energy

Edge Computing OSFP Optical Module DML Door-to-Door Transportation





Edge Computing OSFP Optical Module DML Door-to-Door Transport

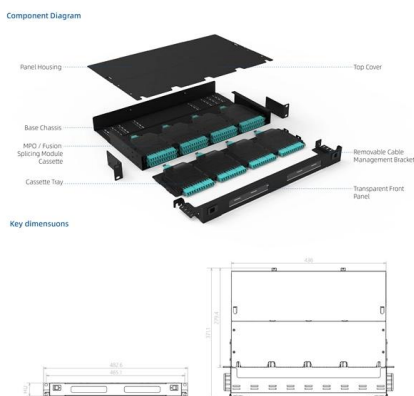
400G OSFP Optical Module Market Size & Share 2025-2030

Discover the latest trends and growth analysis in the 400G OSFP Optical Module Market. Explore insights on market size, innovations, and key industry players.



How to Differentiate and Choose Between EML and

EML (External Cavity Laser) and DML (Distributed Feedback Laser) lasers play crucial roles in optical modules used in optical communications and



800G Module Packaging: QSFP-DD or OSFP, Which

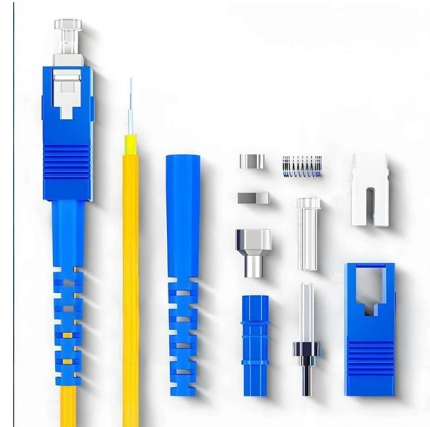
Discover the differences between 800G QSFP-DD and OSFP modules. Learn which packaging offers the best performance, heat dissipation,

Photonic edge computing based on directly modulated laser array

To address this issue, we propose a solution using an array of Directly Modulated Lasers



(DML) as cloud-based transmitters. These transmitters efficiently deliver the required weight bank to

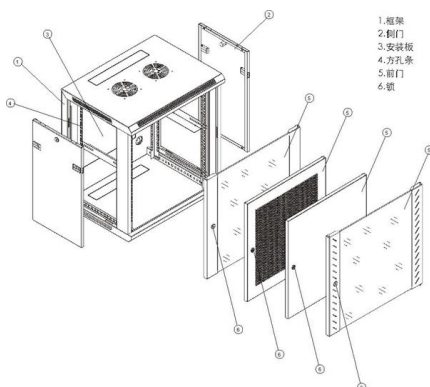


Extreme Networks Optical Modules: QSFP-DD & OSFP Solutions with

Explore Extreme Networks optical modules featuring QSFP-DD and OSFP solutions with advanced DDM monitoring capabilities. Learn about compatibility, deployment benefits, and future

GPON OLT Class C+ SFP 20km

2.5GPON-SFP-C compatible GPON OLT Class C+ module is hot-pluggable SFP with single SC/PC connector as an optical interface, designed specifically for



A Comprehensive Guide to 800G Optical Transceivers

An in-depth guide to 800G and OSFP transceivers, explaining form factors, core features, key advantages, application scenarios, FAQs, and their critical role in



Introduction To DML And EML Modulation Methods For

The optical signal transmitted through optical fibers is not constant; instead, it is a modulated signal with varying intensity. The characteristics and application



What Is an SFP Module? Complete Guide

SFP modules, or Small Form-factor Pluggable modules, are essentially the workhorses of modern networking. They facilitate data

The Ultimate Guide to OSFP Transceivers: Unveiling

Dive into the complexities of OSFP transceivers for 400G optical connectivity with Fibermall's ultimate guide.



Silicon Photonics vs. EML Technology: Optimizing 1.6T

Compare Silicon Photonics and EML technologies in optical transceivers. Explore the unique advantages of SiPh and EML chip solutions in



800G Client Optics in the Data Center

Data center interconnect links that had previously relied on separate optical transport systems with integrated coherent transceivers that support DWDM connections can now use QSFP-DD or OSFP,



800G Client Optics in the Data Center

A new generation of double-density optical module form factors, QSFP-DD and OSFP, were developed to support the eight-lane switch interface. These form factors will also support DAC or active



Complete Guide to OSFP Transceiver: 400G/800G/1.6T

Master OSFP transceiver technology with our comprehensive guide. Covers 400G/800G/1.6T speeds, OSFP vs QSFP-DD comparison, thermal

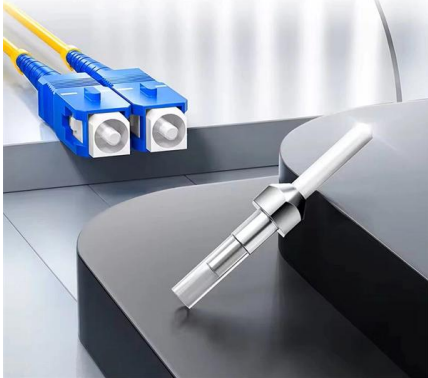


EML vs VCSEL vs CW Laser: Optical Transceiver Guide

Compare EML, VCSEL, and CW laser technologies in optical transceivers. Covers cost, reach, speed, the 2025 EML shortage, and silicon



High-quality ceramic ferrule



Understanding the OSFP 400G DR4 Optical Transceiver

Discover the OSFP 400G DR4 Optical Transceiver Module, a high-performance solution with a 1310nm wavelength, supporting 500m distance and



Edge Optical Solutions 10G-SFP-10 SFP+ Module

10G-SFP-10 is Multi-Vendor MSA Compatible SFP+ (Small Form factor Pluggable) Transceiver, operating over Double Fiber Single-Mode Fiber (SMF) optical cable.

Understanding the OSFP Standard: The Open 400G/800G Optical

The OSFP standard marks a pivotal step toward scalable 400G and 800G optical networking, designed from the ground up for AI, cloud, and HPC infrastructures. With open MSA





400G OSFP/QSFP-DD/QSFP112 Module Introduction and Selection

This article explores the technical characteristics, product lineup, and use cases of 400G OSFP/QSFP-DD/QSFP112 modules to choose the most suitable 400G solution for your data centers.



What Is an OSFP Module?

Picking an OSFP module for sale today means investing in a piece of the future, where connectivity is seamless and unstoppable. The optical world is



1075KWHH ESS

Do you know the transceiver laser types?

The optical modules of transmission distance within 40km generally use VCSEL, FP lasers; transmission distance ≥ 40 km generally use DFB lasers.



400G Optical Modules: The Most In-Depth Q& A You'll

Recently, we've received numerous inquiries from users about 400G optical modules. As a mainstream optical module type today, there are several





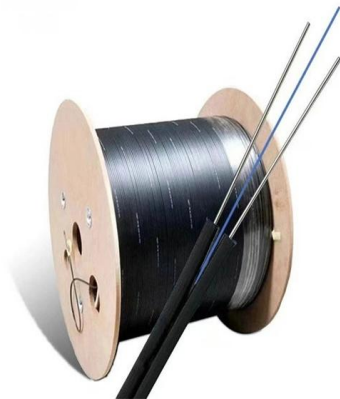
Complete Guide to OSFP Transceivers: Exploring the Evolution from



What Is an OSFP Transceiver? An OSFP transceiver is a hot-pluggable optical module that supports eight electrical lanes, each capable of 50G, 100G, or even 200G depending on the

How to Achieve Interconnection Between OSFP and QSFP-DD Ports?

With exponential traffic growth, hyperscale data centers must deploy multiple high-speed optical modules to meet varied demands. However, the coexistence of OSFP and QSFP-DD form



OSFP1600_and_OSFP-XD

To accommodate both high-power optical and dense copper solutions, the specification will define separate but compatible heatsink specifications for both optical and copper modules, allowing

Types of Lasers for Optical Modules

Optical communication system, to a large extent, depends on high quality laser light source. Laser is the heart of an optical module, and its cost accounts for about 50% of the total cost





SFP Optical Transceiver Modules for Long Distance: A

Discover everything you need to know about SFP optical transceiver modules for long-distance fiber transmission. Compare LX, EX, ZX models and

FS Community

Hier sollte eine Beschreibung angezeigt werden, diese Seite lässt dies jedoch nicht zu.



DML or EML?

DML optics with DFB TOSA (Transmitter Optical Sub Assembly) turned out Cost-effective and reliable alternative. DML - directly modulated laser DML, or Directly



400G OSFP Transceiver Optics Types and Connections

The Octal Small Form Factor Pluggable (OSFP) module is an optical transceiver designed to provide high speed 400G/800G data communications for data centers and networking systems. A typical



400G OSFP Transceiver Optics Types and Connections

The Octal Small Form Factor Pluggable (OSFP) module is an optical transceiver designed to provide high speed 400G/800G data communications for data centers and networking systems.



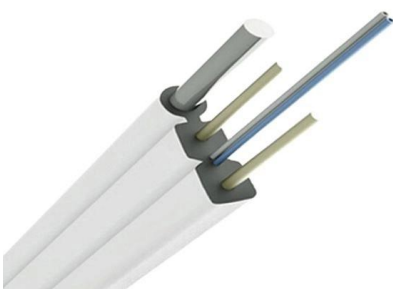
400G OSFP

OSFP 400G Eoptolink's EOLO-BI854HG-E-02-MXX OSFP 400G SR4.2, 8x50G Optical transceiver module are designed for use in 400 Gigabit links over 150m



800G Optical Modules Explained: Standards, Types

Discover everything about 800G optical modules--standards, packaging, types & applications. Learn how they power AI, HPC & next-gen data





NVIDIA Optical Modules: QSFP-DD vs OSFP Technical Comparison

Comprehensive technical analysis of NVIDIA 800G optical modules comparing QSFP-DD and OSFP form factors. Learn about compatibility, power requirements, and deployment best



Fiber Optic Lasers: Understanding Lasers in Optical

Fiber optic lasers are the core component of fiber optical transceivers which convert electrical data into optical signals for transmission over the fiber network.

QSFP-DD vs OSFP vs QSFP112: Which 400G Module

400G optical module packaging comparison: Choose QSFP-DD, OSFP, or QSFP112 for data center, AI, or HPC based on compatibility, power, and cost. Optimize



Dell Compatible 100GBASE-ZR4 QSFP28 1310nm 100km DOM

Dell Compatible 100GBASE-ZR4 QSFP28 Optical Transceiver Module (SMF, 1310nm, 100km, LC, DOM) The Dell compatible QSFP28 optical transceiver module is designed for use in 100GBASE



Motor protection controller



EML vs DML , Skylane Optics

Laser technology: EML vs DML 100G QSFP28 form factor transceivers are today heavily deployed and although the original designs of



Contact Us

For datasheets, pricing, or custom telecom energy solutions, please visit:
<https://koskolong.co.za>