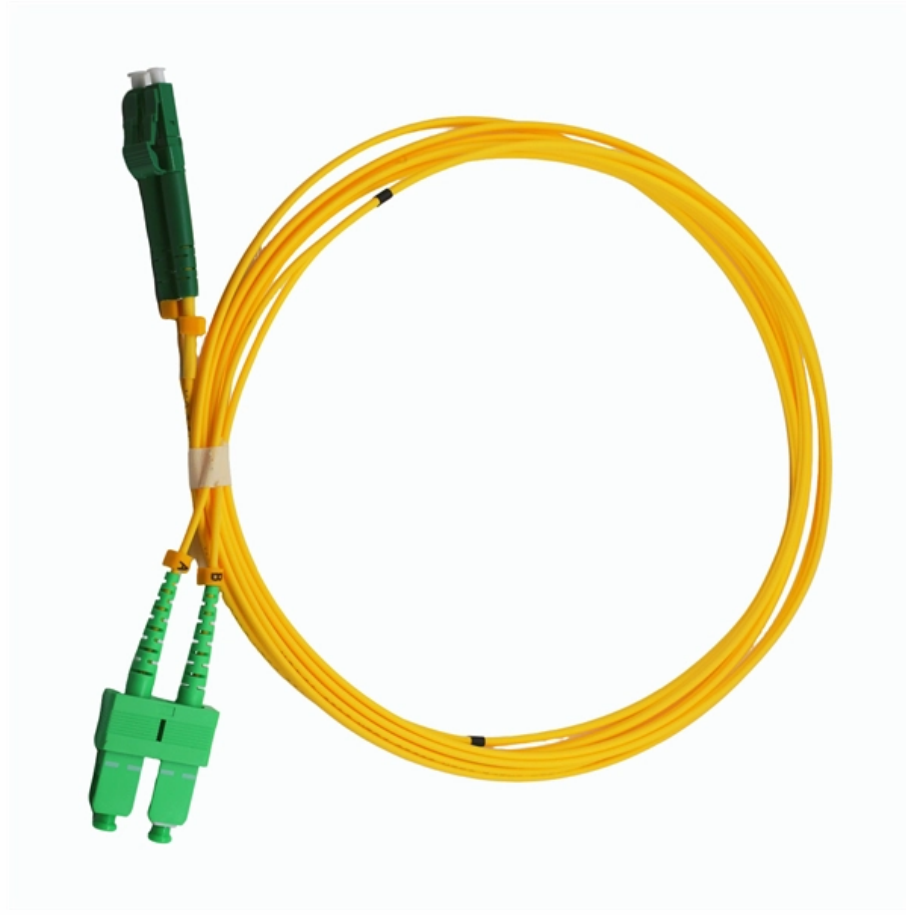




Adam Tas Corridor Energy

Electrical Diagram Cable Tray Down Leads





Electrical Diagram Cable Tray Down Leads



Cable Tray Design, Layout, and Overall Wiring Planning

Learn about effective Cable Tray Design and Layout for electrical systems. Our guide covers planning, material choice, safety,

Cable Tray Layout & Section (Electrical) , PMG Engineering

Explore the essentials of cable tray layout and section design in electrical systems, ensuring optimal cable management and support.



Complete cable tray manual for electrical engineers and

Cable tray wiring systems are well suited for computer aided design

Cable tray manual

These documents: ANSI/NEMA VE-1, Metal Cable Tray Systems; NEMA VE-2, Cable Tray Installation Guidelines; and NEMA FG-1, Non Metallic Cable



Tray Systems, are an excellent industry resource in



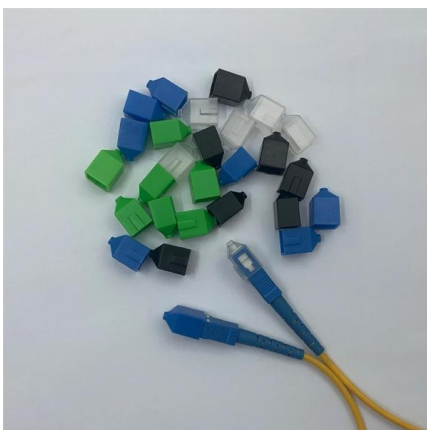
Cable Tray Installation CAD Blocks , DWG Electrical

Download a comprehensive set of Cable Tray Installation CAD Blocks in DWG format, ideal for electrical engineers, MEP designers, and industrial layout planners.



Cable Tray Installation CAD Blocks , DWG Electrical

Download free Cable Tray Installation CAD Blocks in DWG format. Perfect for electrical layouts, MEP coordination, and infrastructure design in AutoCAD.



Best practice guide to cable ladder and cable tray

Cable ladder and cable tray systems The following recommendations are intended to be a practical guide to ensure the safe and proper installation of



Cable Tray Installation Layout Guide , PDF , Wire

The document provides layout drawings and installation details for running power cables from an existing automatic transfer switch (ATS) panel to a new main



INSTALLATION GUIDE

The National Electrical Code, Article 392-7 allows cable tray to be used as an equipment grounding conductor. All Unitray standard cable trays are classified by Underwriter's Laboratories per US NEC

CABLE TRAY SYSTEMS GUIDE

Hubbell's NEXTFRAME® Ladder Tray is the effective and widely used cable runway that supports and delivers bundles of cable between cabinets, racks, and closets, along walls, and suspended from



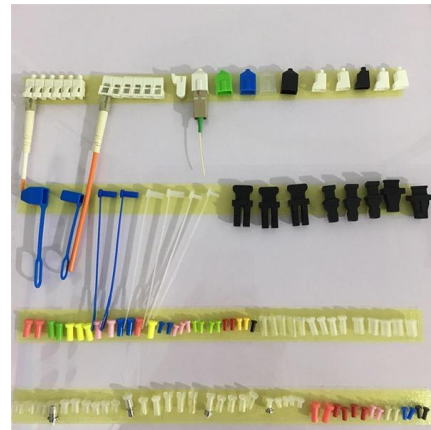
Cable Trays for Electrical Systems CAD Drawings

What is the Cable Trays for Electrical Systems CSI section and why are these CAD files important? The CAD files associated with Section 26 05 36 - Cable Trays for



Cable Routing and Tray Layouts in Oil & Gas

The document discusses electrical layouts and cable routing. It describes laying cables through cable trenches, which can be direct buried or use concrete



Cable Tray Ladder Type DWG , Design Insights

Discover the essentials of cable tray ladder type DWG designs for efficient cable management in electrical installations. Enhance safety,



GUIDE CABLE TRAYS TECHNICAL

Specifies requirements for metal cable trays and associated fittings designed for use in accordance with the rules of Canadian Electrical Code, Part I and the National Electrical Code®





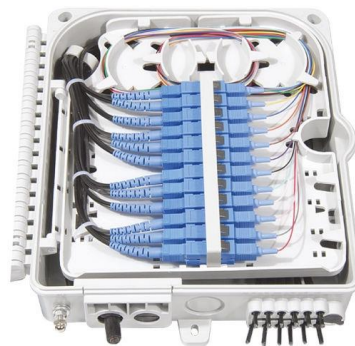
Cable Tray Installation Details , PDF , Electrical Wiring



The document contains engineering drawings showing dimensions and details for an elbow cable tray connector, including side views of the connector with and

Cable Tray Isometric DWG Download Free

Download Free Cable Tray Isometric DWG CAD Block Cable tray isometric DWG is a must-have detail for any MEP designer, architect, or student working on



Typical Arrangement of Cables in a Cable Tray

Download scientific diagram , Typical Arrangement of Cables in a Cable Tray from publication: Heat Gain from Electrical and Control Equipment in Industrial Plants ,



Cable Tray Technical Guide A practical guide to product selection and

Cable tray installed in a hazardous location must contain only those cables that are appropriate for this type of environment as defined in Chapter 5 of the NEC.



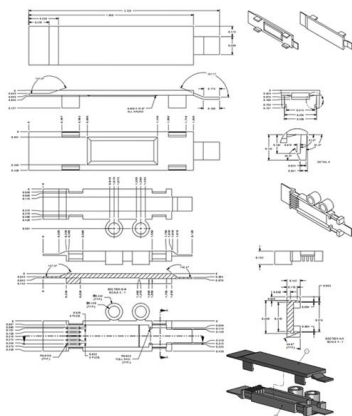
Concept Cable tray drawing , PDF

This document contains a drawing list for cable tray layouts on multiple floors of a building. It includes the drawing number, size, date, and revision details for



Electrical cable Tray Installation Details with Support

Comprehensive technical drawing illustrating various cable tray installation details for electrical systems. The document includes multiple configurations for mounting



Cable Tray Technical Guide A practical guide to product selection and

A practical guide to product selection and installation This guide for engineers and installers has been developed by ABB as a practical reference regarding cable tray characteristics, installation, and



Cable Tray Manual For Electrical Engineers and Designers 2014 PDF

Nearly every aspect of cable tray design and installation has been explored for the use of thereader. If a topic has not been covered sufficiently to answer a specific question or if additional information is

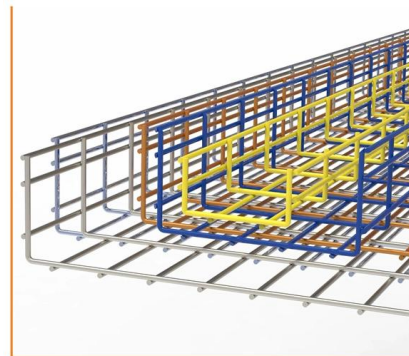


GUIDE CABLE TRAYS TECHNICAL

In accordance with its continuous improvement policy, Legrand reserves the right to change the specifications and illustrations without notice. All illustrations, descriptions and technical information

Cable Tray Section Details DWG - Free Download

Download the Cable Tray Section DWG Now - 100% Free Upgrade your AutoCAD projects with professional cable tray cross section details. Click the download



Contact Us

For datasheets, pricing, or custom telecom energy solutions, please visit:
<https://koskolong.co.za>