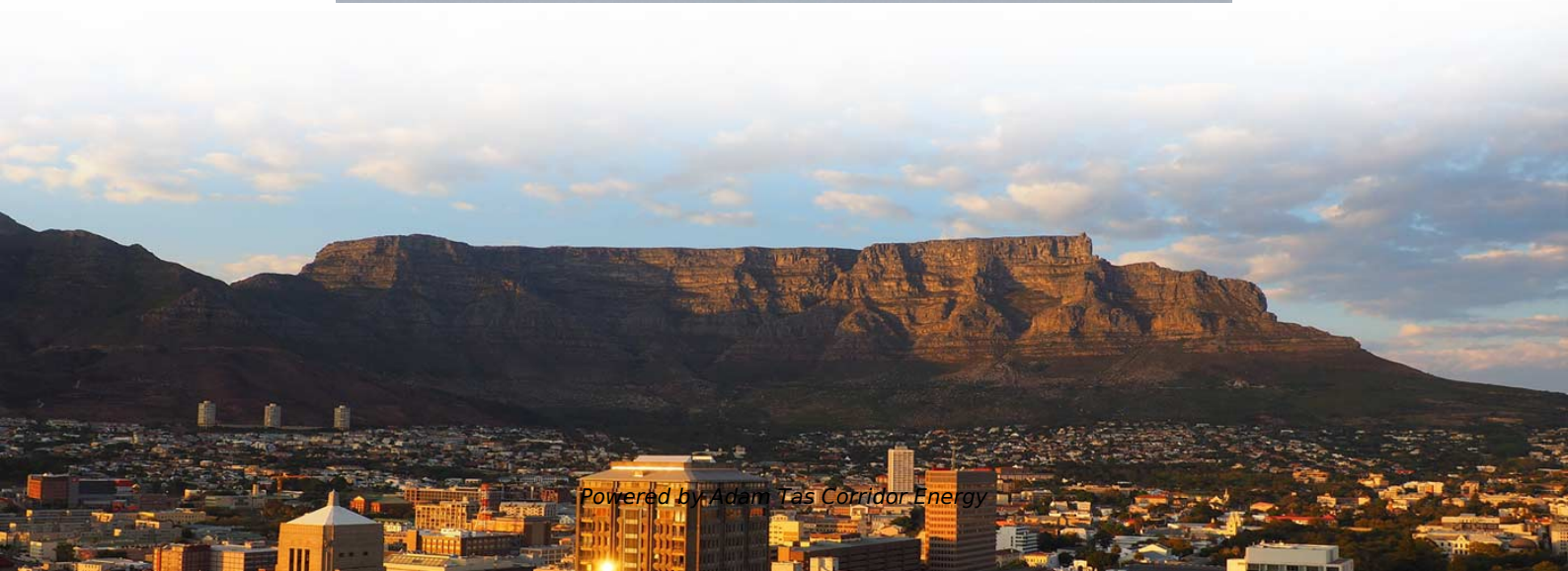




**Adam Tas Corridor Energy**

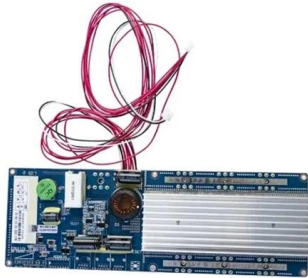
# **Electrical box distribution box neutral outlet**





## Electrical box distribution box neutral outlet

---



### TP& N Distribution Boards Guide , Meteor Electrical

Explore TP& N distribution boards, wiring, safety standards and selection tips. Shop compliant three-phase solutions at Meteor Electrical for safer projects.

### Plug-On Neutral 120-Volt Breaker Boxes at Lowes

Find Plug-On Neutral 120-Volt breaker boxes at Lowe's today. Shop breaker boxes and a variety of electrical products online at Lowes .



### Complete Guide For Distribution Boxes Types

Distribution boxes, also known as junction boxes, electrical boxes, or panelboards, are essential components in electrical distribution systems. They serve as



### What is an Electrical Distribution Box? A

Discover everything you need to know about electrical distribution box! Learn about types,



components, and how to choose.



### What Is a Distribution Box?

Distribution boxes work by distributing electrical power. They receive electrical power from the main power line -- or another primary power line -- and

### Electric power distribution

A 50 kVA pole-mounted distribution transformer  
Electric power distribution is the final stage in the delivery of electricity. Electricity is carried from the transmission



### 12 types of distribution boxes and how to choose them

Key Factors in Choosing a Distribution Box  
Building Type and Size: Start with where it's going. For homes, a residential or flush-mounted box might suffice, but large spaces need sub-distribution





## 120V Branch Circuits: Wiring and Safety Essentials

The article discusses the wiring of typical 120-V branch circuits, focusing on receptacle outlets, switch outlets, and light outlets. It covers essential safety



## What Is an Electrical Distribution Box? A

An electrical distribution box is a centralized unit responsible for distributing electrical power across multiple circuits within various

## Temporary Power Distribution Boxes for Electrical

Temporary power distribution boxes for flexible electrical installation. Robust solutions for construction sites, events and temporary energy infrastructure.



## Single Phase Distribution Box Definition and Main Parts

A single phase distribution box controls and protects home or office circuits. Learn its definition, main parts, and how it ensures electrical safety.



### Socket Combination Box & Fuse Box

A Combination Box typically integrates both socket outlets and protective components, whereas a Distribution Box is specifically designed for housing only



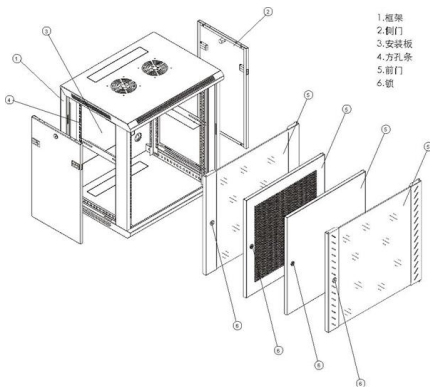
### Electrical Box Types & Sizes for Receptacles when

types of electrical receptacles (wall outlets or wall plugs): how to choose the right type of electrical receptacle when adding or replacing a wall outlet in a building. Here we describe matching 15-Amp

### The Complete Guide to Distribution Box: Installation, Types & More

Blog The Complete Guide to Distribution Box: Installation, Types & More By Admin Aug 2, 2025 No Comments # distribution box Introduction Electrical systems power our homes, offices, and





- 1. 框架
- 2. 侧门
- 3. 安装板
- 4. 穿孔条
- 5. 前门
- 6. 锁

## What is a Distribution Box? - A Comprehensive Guide

A distribution box organizes and controls power flow, ensuring safety and efficiency in electrical systems.

## How to Wire a Home Distribution Box

How to Wire a Home Distribution Box - Step-by-Step , Distribution DB box wiring diagram  
 Welcome to our channel! In this video, we'll walk you through

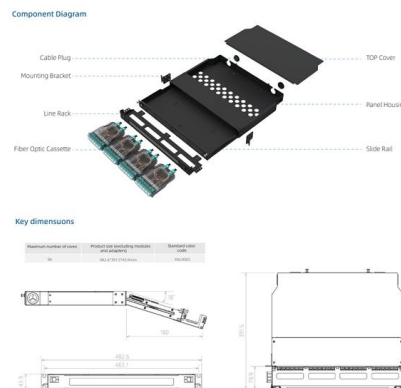


## Outlet Box

An electrical distribution box is one of the main components of a system, it is protected in each of the distintos circuits in which the facility is divided by fuses, miniature circuit and leakage protection.

## Amazon .uk: Electrical Distribution Box

GIONAR DIN Rail Enclosure 3-Way Weatherproof Distribution Box, Transparent Cover Junction Box, Outdoor Electrical Distribution Protection Box for Indoor and Outdoor Power Systems



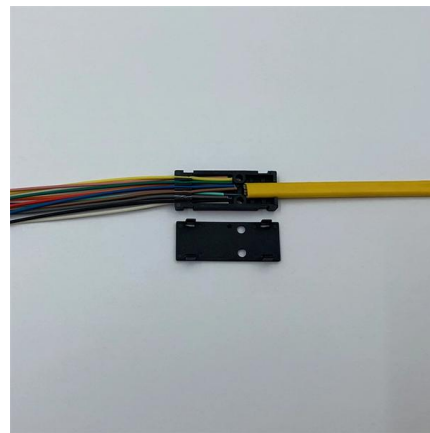


## Distribution Boxes, Switch Outlets and Accessories

Our products range includes simple flush-mounted switch boxes to surface-mounted boxes for indoor use, as well as high-end IP65 junction boxes for use in wet areas.

### What Is Distribution Box (DB Box): Types, Functions,

Curious about what a distribution box is? Come and explore the definition, types, and functions of the DB box to understand how it protects

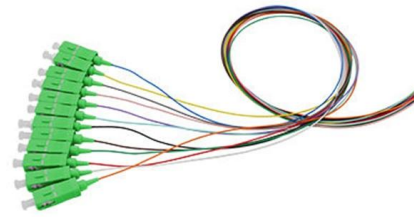


### Power Distribution Box, 110V Electricity Meter Electrical

Our metal boxes, distribution boxes, disconnectors, junction boxes and other

### Power Distribution Boxes Explained Simply

Learn what a power distribution box is, how it works, key components, types, and why it's vital for safe and efficient electrical systems.



## Electrical Distribution Boxes for Power Distribution , Wieland



From decentralized energy, signal and data distribution to distribution boxes for smart buildings, we offer the right solution. We mount any electronics in the manifolds! All options are open here, and the

## Distribution Box and Selection Guide

Distribution Box Selection Guide This guide provides information on how to select the appropriate Distribution Box for Electric project. If you have any



## A Step-by-Step Guide to Wiring an Electrical Panel Box

Find out how to properly wire an electrical panel box with a comprehensive diagram and step-by-step instructions.





## Contact Us

---

For datasheets, pricing, or custom telecom energy solutions, please visit:  
<https://koskolong.co.za>