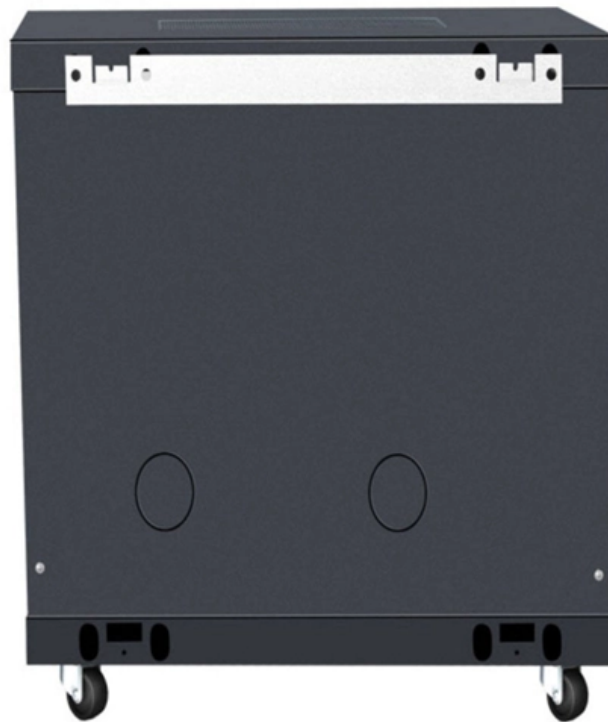




Adam Tas Corridor Energy

Electrical cable tray protection pipe





Overview

PE pipes provide special mechanical protection for cables and wires used in all areas of civil engineering, both outdoors (above ground and underground) and indoors. They are also often laid as empty conduits for the later insertion of further cables. A rung spacing of 6 to 9 inches (150 to 230 mm) is preferable when the cable tray is used for instrumentation and control applications that require. All illustrations, descriptions and technical information included in this document are provided as indications and can cable trays are equivalent. The mechanical and electrical characteristics, tests, certifications, overall quality management, recommendations mentioned. UL Listed Systems Concrete Wall - C-AJ-4056 3 HR F-Rating, 3/4 HR T-Rating Gypsum. When developing our cable support OBO can offer reliable solutions for systems, three attributes are at the routing and fastening cables securely core of what we do: efficiency, resili- for each of these installation challenge-ience and safety.



Electrical cable tray protection pipe

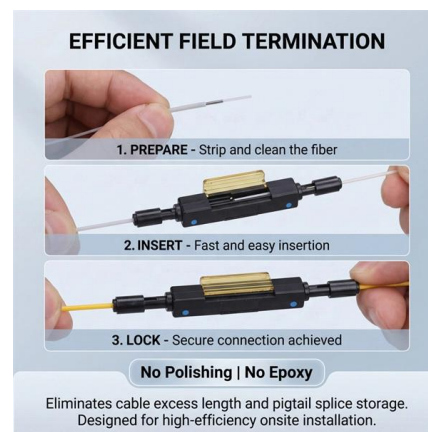
Homepage , DKC Europe

DKC is a European leader, and offers a comprehensive range of cable tray systems and energy protection, transport and distribution solutions for civil and industrial infrastructures.



Cable Tray SHIB NAL

Overloading cable trays can lead to a breakdown of the tray, its connecting points, and/or supports, causing hazards to persons underneath the cable tray and even leading to possible electric shock



Guide to cable support systems

A cable support system consists of cable support lengths and system components, such as cable support fittings, support elements, mounting elements and system accessories. The cable support



Cable Trough , Safe & Secure Cable Protection

Benefits of cable trough systems Cable troughs are convenient systems for providing safe,



secure and practical management of electrical



Guide to cable support systems

It specifies the requirements and testing for cable support systems, which are intended to support and house cables, as well as other electrical resources in electrical installations or communication systems.



Fire stop section of the cable tray and cable management NEMA

3M Fire Barrier Moldable Putty+ is a one-part, halogen-free product designed to firestop electrical outlet boxes and a wide variety of through-penetrations including cable, conduit, insulated pipe and metal



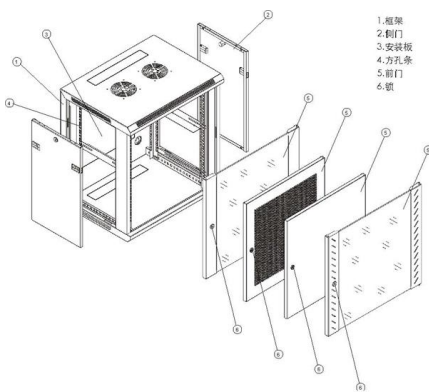
GRP Cable Tray & Cable Ladders , EAE Electric

EAE Electric's GRP Cable Trays and Ladders set the industry standard with high strength, flexibility, and durability for cable support systems.



Edge Protection

Edge protection refers to the practice of adding protective measures to the edges of objects to prevent damage, wear, or injury. It cushions impacts, reduces



Cable Tray Technical Guide A practical guide to product selection and

SOLID-BOTTOM CABLE TRAY Providing additional cable protection, solid-bottom cable tray is sometimes preferred to support and protect numerous small instrumentation and control cables.

Types of Cable Trays: Benefits and Uses

Types of Cable Trays: Benefits and Uses Cable trays are a durable and organized solution for supporting and protecting cable networks in various



Fiberglass (FRP) Cable Tray for Extreme Conditions

Enduro cable tray and cable ladder sets the industry standard for high-quality fiberglass cable tray. Our FRP cable tray is extremely durable.



CABLE TRAY SYSTEMS & CONDUITS

Our cable tray systems and conduits are specifically designed to provide efficient cable support and routing while reducing mechanical stress and preventing long



Cable Trough , Safe & Secure Cable Protection

High stability concrete or composite cable trough systems for secure protection of cables and utilities within internal or external surfaces.

What Is A Cable Tray? 5 Types Of Cable Trays

Cable trays are a critical component in modern electrical systems, providing a structured pathway for the organization and protection of electrical, data, and communication cables. They serve as an





FactSheet

Cable trays support cable across open spans in the same manner that roadway bridges support traffic. Cable trays are not raceways, and are treated as a structural component of a facility's electrical

Cable Tray Systems

Our cable tray systems meet or exceed all the NEMA, UL, CTI, and CSA standards and are utilized in nearly every industry. All cable tray suppliers are not the same.



Electrical Safety First: How Cable Trays Protect Your

Ensure maximum electrical safety with cable trays! Learn how they prevent wire damage, improve organization, and enhance equipment

Cable Protection Systems

Cable Protection Systems Cable protection systems are designed to safeguard electrical cables and wiring from various external hazards such as mechanical



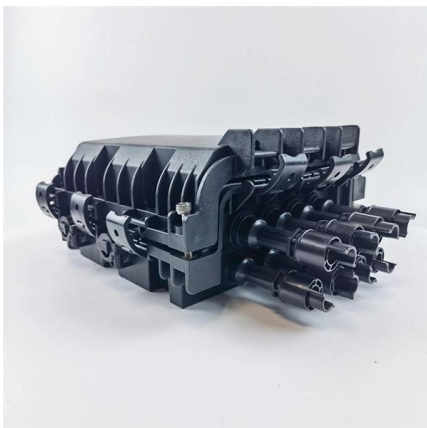
Trunking and cable tray protection

Our range of trunking and cable tray protection products provide effective fire protection for pipes, cables and trunking within floors, walls and ceilings.



Eupen Pipe: Cable Protection pipes and empty conduits

Cable Protection PE pipes provide special mechanical protection for cables and wires used in all areas of civil engineering, both outdoors (above ground and



Cable Protection Pipe Systems , Pipelife

Protect your power and communication lines with our wide range of PVC, PP & PE cable protection pipes. Offering you peace of mind with fast



Trunking & Cable Trays

ELECTRICAL & PLUMBING Fireproof protection for cables, pipes, services, lights, electrical units, trunking, sockets and welding.



Trunking and Cable Tray Protection

Trunking and cable trays are designed to house and protect electrical wiring, which can be vulnerable to damage from environmental factors, physical impact, or

Types of Cable Containment Systems: Trays, Trunks,

Discover the main types of cable containment systems--trays, trunking, and conduits--and learn how to choose the right solution for safe,



Cable Trough , Safe & Secure Cable Protection

High stability concrete or composite cable trough systems for secure protection of cables and utilities within internal or external surfaces.



Cable Tray Technical Guide A practical guide to product selection and

Cable tray installed in a hazardous location must contain only those cables that are appropriate for this type of environment as defined in Chapter 5 of the NEC.



Cable Trays and Fire Protection Systems: Keeping

Have you ever thought about how the electrical wires that power things like fire alarms and emergency lights stay safe in a fire? It's a really

Cable Protection Pipe Systems , Pipelife

PE Cable Protection Pipes Both flexible and durable, PE systems are ideal for challenging terrain and withstand ground pressure and





GUIDE CABLE TRAYS TECHNICAL

When fitting cable trays and their accessories, the products are cut on site to create changes of direction, adjust sections, etc. Damage can also occur during handling; as a result, both the

Contact Us

For datasheets, pricing, or custom telecom energy solutions, please visit:
<https://koskolong.co.za>