



Adam Tas Corridor Energy

Enclosed trough-type cable tray manufacturer supplies





Enclosed trough-type cable tray manufacturer supplies



Cable Tray Systems , Cable Management Trays , Metsec

Our Cable Tray Systems and cable management trays offer high quality steel and galvanised steel solutions for the mechanical and electrical services industries.

Full cable tray systems specification document

B. Cable tray systems are defined to include, but are not limited to straight sections of [ladder type] [trough type] [solid bottom type] [channel type] cable trays, bends, tees, elbows, drop-outs, supports



"Trough Type Cable Tray"

Sourcing Guide for Trough Type Cable Tray: Our electronics supplier database is a comprehensive list of the key suppliers, manufacturers (factories), wholesalers, trading companies in the electronics

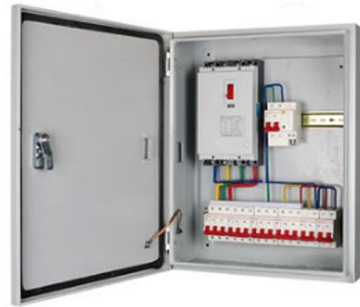


Cable Trays Raceways for Electrical Cables

Cable Trays Raceways Manufacturer & Supplier in India Hyderabad Telangana and Andhra



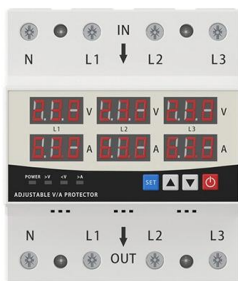
Pradesh Cable Trays and Raceways provide safe, organized, and



LED DISPLAY PANEL

CURRENT STATUS CLEARLY VISIBLE

IT CAN CLEARLY SHOW THE CURRENT STATUS AND VOLTAGE STATUS, WITH EFFICIENT OPERATION AND RAPID RESPONSE.



Armorduct Systems Ltd , Manufacturing Cable

Armorduct Systems are a UK manufacturer of steel cable management systems including cable trunking, tray, basket, floor boxes, power track & more. Wide

Trough type cable tray and trunking

Discover high-quality trough type cable tray and trunking designed for efficient cable management, offering durability and easy installation. Ideal for enhancing organizational systems in commercial



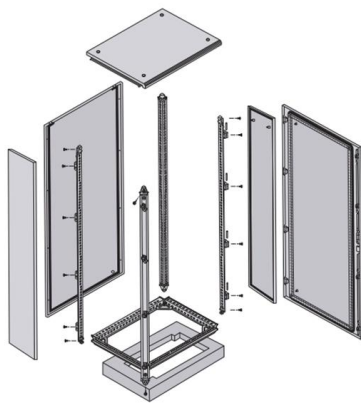
High-Quality Cable Tray Systems , Light, Medium

Explore our premium cable tray systems at Direct Channel. Available in light, medium, and heavy-duty options, with pre-galvanized & hot-dipped finishes.



Cable Tray and Ladder

Our cable tray and ladder systems are meticulously crafted using premium-grade materials that adhere to the highest industry standards. Designed to withstand



Manufacturer Best selling Full-body Enclosed Cable Tray HDG Trough

Cable trunking and cable tray are essential systems designed for efficient cable organization, routing, and protection. These robust solutions, often made of materials like metal or fiberglass, provide

Interflex USA

Our Cable and Wire Tray Systems, including wire basket, wire mesh, and sheet steel cable tray, stand out as epitomes of innovation and excellence. Designed to fulfill diverse needs of industrial,



Cable Tray And Fittings , Graybar Store

A cable tray system is used to support insulated electrical cables used for power distribution, control, and communication. Cable trays are used as an alternative to open wiring or electrical conduit



Trough Type Cable Tray for Maximum Cable Protection

Learn how trough type cable trays protect cables from dust, moisture, and impact. A practical guide for industrial cable management.



Cable Troughs (Cable Trough, Cable Racks, Cable Trays, Cable

Our cable tray products are widely used for the convenient, reliable, efficient and safe management of electrical cables used for power distribution, control and communication.

Cable Tray Systems

Our cable tray systems meet or exceed all the NEMA, UL, CTI, and CSA standards and are utilized in nearly every industry. All cable tray suppliers are not the same.



What are the main types of cable tray?

Introduce the main types of cable tray including ladder cable tray, perforated cable tray, solid bottom cable tray and wire mesh cable tray.



Cable Tray, Cable Trunking, Cable Ladder, Perforated

Our high quality cable tray products include cable trunking, cable ladder, perforated cable tray, wire mesh cable tray, cable tray accessories and switchgear cabinet,



Cable Tray Systems

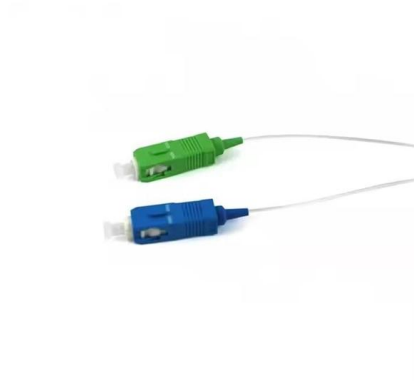
Our cable tray systems securely hold and protect cables and come in many models and sizes, solid bottom and ventilated.



Cable Trays

Bahra Electric Cable Trays offer numerous benefits, including: Improved Safety: By containing and securing cables, cable trays help prevent tangles, tripping



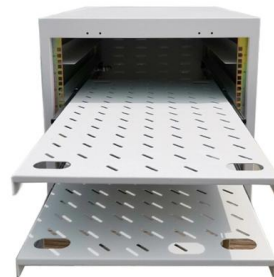


B-Line series Cable Tray Design Considerations

Is your cable tray system optimized for safety, dependability, space and cost savings? Cable tray (or cable ladder) systems are a popular alternative to electrical conduit systems, as they have an

Electrical Cable Tray Suppliers

Looking for a high-quality cable tray manufacturer? Shielden specializes in designing and manufacturing durable, high-performance cable tray systems to support your

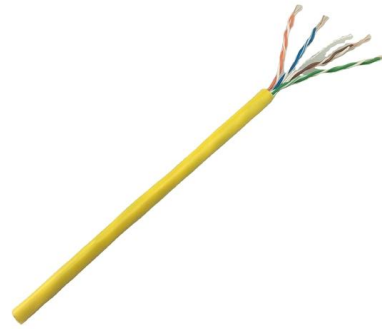


Top 10 Cable Trays Manufacturers And Suppliers , B2B

This list of top 10 online B2B marketplaces and manufacturers will lead you to find your perfect cable trays based on your business requirements.

Enclosed Cable Tray Suppliers And Factories In China

Enclosed cable tray supplies elevated protection and projection screen for large diversity wire cabling inductions. These can be constructed by steel and



Cable Tray Systems , Efficient Cable Management

RSP Supply offers a comprehensive selection of cable tray systems and accessories designed for reliable cable management in demanding commercial and industrial

Cable Trays and Fittings

Cable trays consist of rigid components like supports, connectors, and fittings made of either certain steel alloys or aluminum materials. The right cable trays and



Product Catalogue Cable Management Solutions

With over 20 years of experience T& B Cable Tray provides a complete solution in cable management systems including design, manufacturing and technical support by offering a complete solution for



Contact Us

For datasheets, pricing, or custom telecom energy solutions, please visit:
<https://koskolong.co.za>