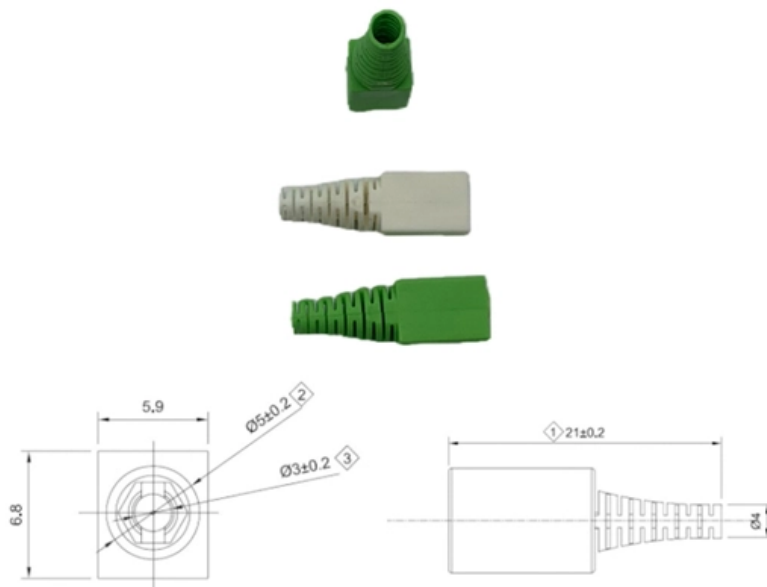




# European-style ladder-type cable tray specifications





## European-style ladder-type cable tray specifications

---

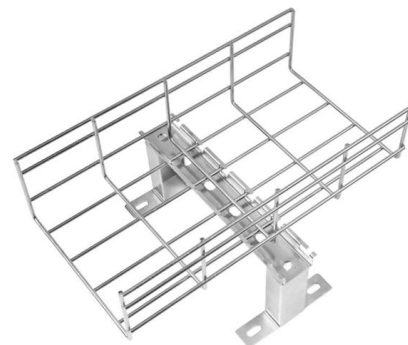


### Aluminum I-BEAM Ladder Tray

Welded aluminum I-beam ladder cable trays are a core solution and an iconic design in the cable tray industry. The I-beam design is the most common cable tray

### Electrical Cable Tray , Ladder Type Cable Tray

Ramdev Steel Industries is a trusted manufacturer of electrical cable trays, specializing in high-quality ladder type cable trays for efficient cable management



### CABLE TRAY, CABLE LADDER, CABLE TRUNKING CATALOGUE

Cable Ladder. Straight sections of ladder type cable trays consist of two longitudinal side rails, connected by individual transverse, or rungs, which are welded to the side rails or bolted in case of GI

### Cable management , Cable tray , Cable ladder rack , Eaton

With unmatched quality and service, we offer a variety of styles, materials and finishes available



to support virtually any commercial and industrial cable management application requirement.



### **Top Cable Tray Manufacturer in Pune , Indmark Cable**

Ladder Type Cable Trays Ladder-type cable trays are an essential components of modern electrical and data cable management systems. These versatile

### **Tray and Ladder Sizing by Cable Capacity Calculator - IEC**

Calculate tray and ladder sizes by cable capacity with our IEC-compliant calculator for efficient and accurate electrical installations.



### **CABLE TRAY SYSTEMS GUIDE**

The Ladder Tray features light, rugged, tubular steel construction. It is designed for mechanical support and strain relief in long runs of cable and creates a smooth gradual bend for cable. Rail and stringer



## IEC 61537

Where necessary, cable tray systems and cable ladder systems may be used for the division or arrangement of cables into groups. This standard does not apply to conduit systems,



## Best practice guide to cable ladder and cable tray

Cable ladder and cable tray systems The following recommendations are intended to be a practical guide to ensure the safe and proper installation of



## Eurostrut Cable Trays , cable tray, cable route and

Cable trays for industrial and marine use. Includes distribution trays, cable routes and NATO-type models. Request a quote directly via our webshop.



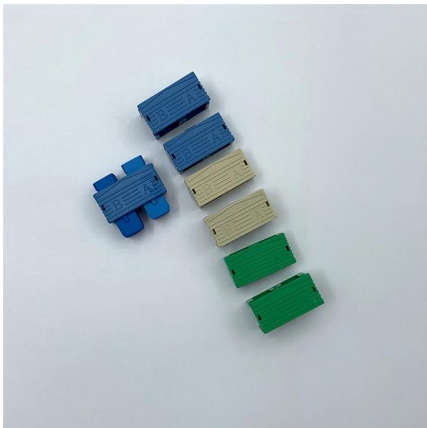
## Cable tray systems and cable ladder systems for cable management

9.5 Cable tray systems or cable ladder systems may include system components for the segregation of cables. These shall be adequately secured to other system components.



## CABLE TRAY, CABLE LADDER, CABLE TRUNKING CATALOGUE

Rung spacing: 300mm. Material: Mild steel sheet / PO steel sheet. Constructed Type: MIG welding. Powder coating / Ho Horizontal Tee.



## Best Practice Guide to Cable Ladder and Cable Tray Systems

This publication is intended as a practical guide for the proper and safe\* installation of cable ladder systems, cable tray systems, channel support systems and associated supports.

## LEGRAND CABLE TRAYS TECHNICAL GUIDE

In accordance with its continuous improvement policy, Legrand reserves the right to change the specifications and illustrations without notice. All illustrations, descriptions and technical information





## LEGRAND CABLE TRAYS TECHNICAL GUIDE

Not all cable trays are equivalent. The mechanical and electrical characteristics, tests, certifications, overall quality management, recommendations mentioned in this technical guide only apply to our

### Product Catalogue Cable Management Solutions

Cable ladder is a more reliable, less expensive solution for supporting cable, which is easier to maintain, proves more adaptable to changing needs, and is more suitable for harsh and corrosive environments.



### B-Line series Cable Tray Design Considerations

Our wind certification report provides you with list of acceptable B-Line series cable tray supports, fittings and covers based off of the environmental conditions, cable loading, and type of cable tray in your

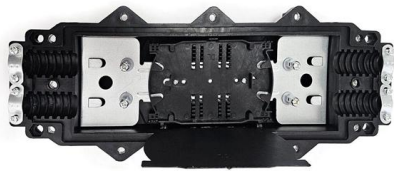
## CABLE TRAY SYSTEMS GUIDE

Steel Ladder System Hubbell's NEXTFRAME® Ladder Tray is the effective and widely used cable runway that supports and delivers bundles of cable between cabinets, racks, and closets, along



## FRP Ladder Type Cable Tray - Full Form & Specifications

Learn the full form of FRP, ladder-type cable tray specifications, features, storage, and applications in industrial and power sectors.



## Guide to cable support systems

Four different mesh cable tray types are available, depending on the requirements, area of application and cable quantity. The innovative Magic connection system of the GRM and G-GRM mesh cable



## Vertical Cable Ladders

The STL, STM and STIC vertical cable ladders meet the exact specifications of DIN 4102 Part 12, such as the rail height and the width of the cable ladder.





## Ultimate Guide to NEMA Cable Ladder Size (NEMA 1)

The Ultimate Guide to NEMA cable ladder sizes (NEMA 1, 2, 3, 4). Compare essential specifications, including side rail heights, load ratings,



## Product Catalogue Cable Management Solutions

Delivering engineered solutions in cable management ABB manufacturers a comprehensive range of cable tray systems and solutions including cable ladder, perforated tray, channel tray and metal



## Standards and Classification , Cable Ladder Systems

Standards classifications, dimensions and construction for Metsec cable ladder systems. For any further enquiries, please contact our team on +44 (0)121 6016000.



## Contact Us

---

For datasheets, pricing, or custom telecom energy solutions, please visit:  
<https://koskolong.co.za>