



Adam Tas Corridor Energy

Fiber Optic Access Solution for Field Monitoring





Fiber Optic Access Solution for Field Monitoring

DTSX3000 Distributed Temperature Sensor



Introducing Fiber-Optic Temperature Sensor, DTSX Introducing Fiber-optic Temperature Sensor, DTSX Temperature monitoring throughout large plants

Waterproof Fiber Optic Connectors Guide for

Discover waterproof fiber optic connectors (FullAXS, ODVA, OptiTap, ODC, PDLC, Mini Waterproof) with IP67/68 protection for FTTA, FTTH, and



A review of fiber optic sensing in geomechanical applications at

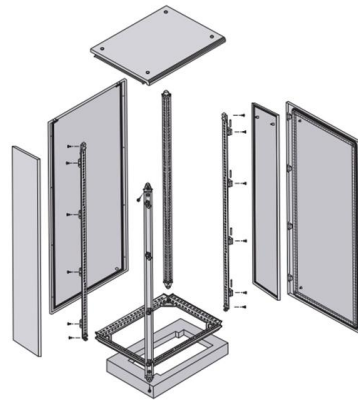
FOS enables distributed measurement in laboratory and field monitoring. FOS applications in geomechanics across sectors and research environments are reviewed. Sensing types and fiber

Multi-Channel Fiber Optic Connectors Market Growth Drivers

Poland's Multi-Channel Fiber Optic Connectors Market is witnessing steady growth, driven by



expanding telecommunications infrastructure and increasing investments in digital infrastructure.



ODVA Fiber Optic Connectors (DLC, SC, MPO) - Rugged Waterproof

ODVA fiber optic connectors, cable assemblies & adapters - IP67 waterproof for FTTA and harsh environments. Discover key features, specs, installation tips & FAQs.

EPON Explained: Unlocking High-Speed Fiber Networks

EPON delivers fast, reliable internet using fiber-optic cables with a simple, cost-effective design, making it ideal for homes and businesses seeking



Fiber Optic Junction Box for Reliable Network Connections

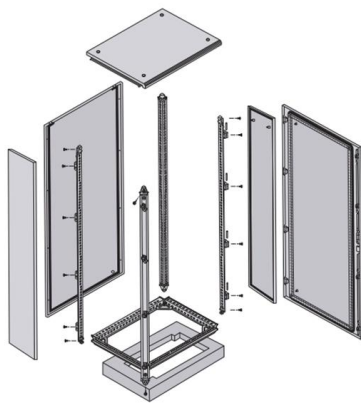
? Fiber Optic Junction Box - Small Box, Big Responsibility In every reliable fiber network, there's one critical component working behind the scenes -- the junction box. At PTCL, we design





Weezie Field

With Weezie Field, you gain the ability to capture and transmit network data directly from the field in real time. Our intuitive interface allows for clear and precise



Smart field instrumentation through fiber optic sensors

Opsens' sensing solution is offered in both single and multiple-point configurations allowing for a multitude of deployment configurations, including real-time

Transforming Perimeter Security with Fiber Optic Sensing

Sense Solutions delivers unmatched perimeter protection. Our Fiber Optic Sensing system provides continuous, covert, and reliable monitoring, ensuring organizations stay ahead of evolving threats.



As Russia's fiber optic drones flood the battlefield,

Editor's Note: In accordance with the security protocols of the Ukrainian military, soldiers featured in this story are identified by first names and





Case Study: Fiber Optic network installation and Monitoring at Cihan

This paper is an analysis of electric-fields distribution around overhead transmission lines (OHTLs) with an all dielectric self supporting (ADSS) fiber-optic cable.



190X95X25mm



Distributed Fiber Optic Sensing , OptaSense

Discover monitoring solutions utilizing distributed fiber optic sensing technology and real-time applications for high-value assets.

Intensity-Modulated Molecularly Imprinted Polymer-Coated SPR Fiber

The detection of glucose is a critical aspect of healthcare and biomedical research, particularly for the management of diabetes mellitus. Among various sensing technologies, surface



Fiber Optic Sensing Solutions Company

Hawk Fiber Optics can assist you with all your needs as a fiber optic sensing solutions company. This revolutionary technology can protect assets, equipment,



Fiber Optic Security System , Future Fibre Technologies

Future Fibre Technologies offers a comprehensive range of fibre optic intrusion detection and sensing solutions for the protection of high value assets and critical infrastructure.



Researchers find a new way to monitor natural hazards with fiber-optic

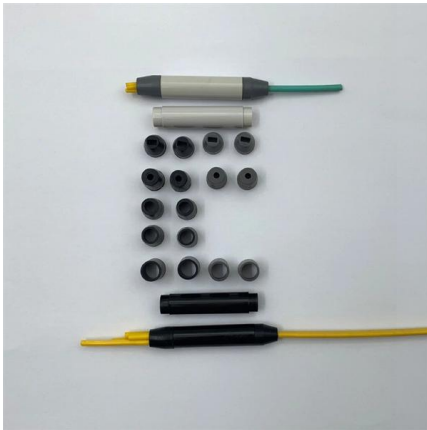
Researchers use DAS to collect real-time, high-resolution observations without disrupting the telecommunication system. Images of fiber-optic sensing (DAS) installation at the UC Richmond

Fiber Optic Sensing

VIAMI provides Distributed Temperature Sensing (DTS), simultaneous Distributed Temperature and Strain Sensing (DTSS) and Distributed Acoustic Sensing (DAS)



WebiTelecomms Cabling

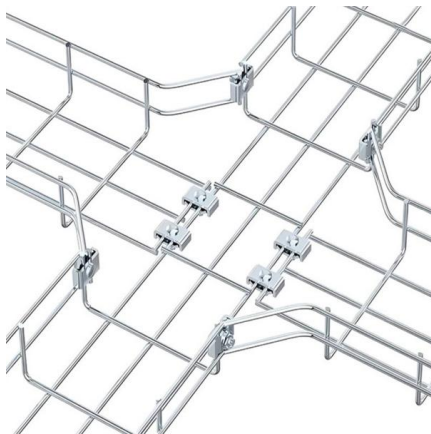
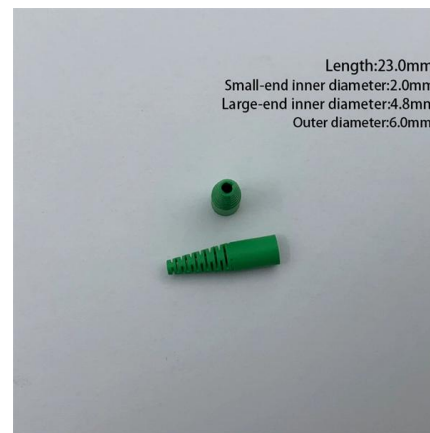


WORLD WIDE WEB JOURNAL Home

O'Reilly & Associates, Inc. 103A Morris St.
Sebastopol, CA United States

DwyerOmega , Shop for Sensing, Monitoring and

Explore DwyerOmega's comprehensive range of industrial sensing, monitoring, and control solutions from thermocouples to pressure transducers engineered for



Remote fiber testing and monitoring , Technical Brochure , EXFO

EXFO's remote fiber testing and monitoring solution provides 24/7 visibility over critical fiber assets and is designed to be used by non-experts so that experts can be dispatched only where and when really

RFTM , Remote fiber testing and monitoring solution

EXFO RFTM automates remote fiber testing and proactive monitoring with OTDR technology, covering the full fiber lifecycle for P2P and PON networks.



Lightera: Complete Fiber Optic and Connectivity Solutions

Leader in fiber optic and connectivity solutions, uniting Furukawa Electric's fiber and cable division, Furukawa Electric LatAm and OFS.



Fiber Optic Installation Process 2026 Guide , ZION

Fiber Optic Installation Process: Complete 2026 Guide A practical, engineer-friendly guide to planning, installing, testing, and maintaining modern



We are Nokia , Nokia

We invent a new type of optical fiber, Non-Zero Dispersion Fiber (NZDF), that becomes widely deployed in intercontinental and long-haul terrestrial networks.



Non Metallic Armored Fiber Optic Cables , ETK Kablo

Non-Metallic Armored Fiber Optic Cables , All-Dielectric, Rodent-Resistant Fiber Solutions ETK Kablo 's Non-Metallic Armored Fiber Optic Cables are purpose-built for environments requiring high



Contact Us

For datasheets, pricing, or custom telecom energy solutions, please visit:
<https://koskolong.co.za>